

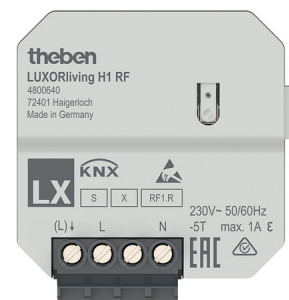
LUXORliving H1 RF

Item no.: 4800640

Home and Building control
LUXORliving

Description

- 1-way wireless flush-mounted heating actuator LUXORliving
- Noiseless control of thermal actuators 230 V AC
- Integrated temperature controller heating/cooling
- Valve protection function
- Encrypted wireless communication
- Easy installation due to the compact housing
- 2 binary inputs for floating contacts such as buttons, switches, temperature sensor (I2)
- Integrated temperature monitoring for increased operating safety, e.g. in the event of overload



Technical data

LUXORliving H1 RF	
Operating voltage	230 V AC 50 – 60 Hz
Frequency	50 – 60 Hz
Stand-by consumption	~0.4 W
Installation type	Flush-mounted
Number of channels	1

LUXORliving H1 RF	
Type of contact	1 A
Ambient temperature	-5°C ... 45°C
Protection class	II

Subject to technical changes and misprints

additional information at: www.theben.de/product/4800640

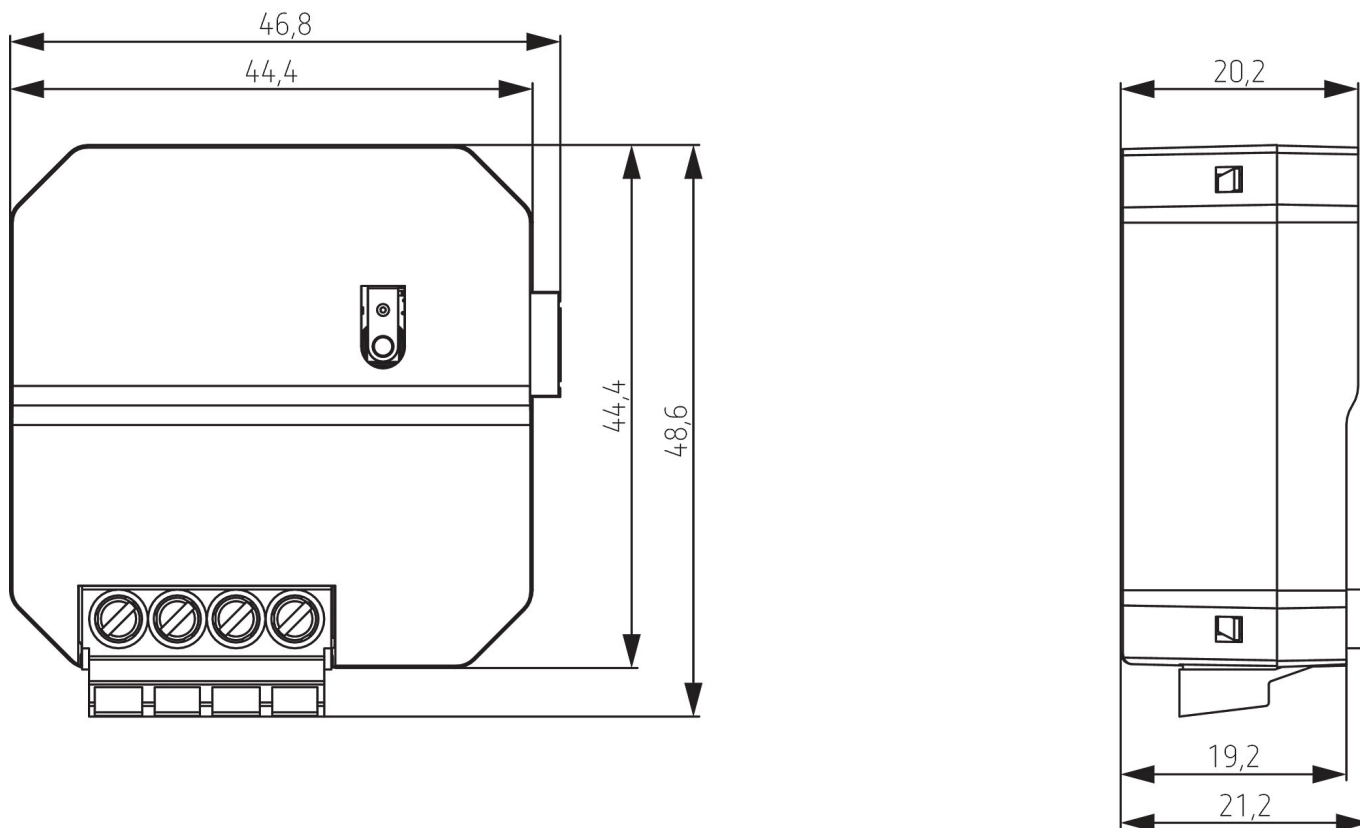
The load data are determined with exemplary selected illuminants and are therefore typical data due to the large number of available products.

LUXORliving H1 RF

Item no.: 4800640

theben
energy saving comfort

Scale drawings

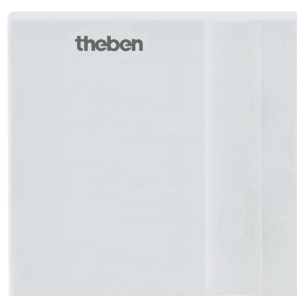


Accessories

Temperature sensor
Item no.: 9070321



Temperature sensor RAMSES IP
65
Item no.: 9070459



Actuator ALPHA 5 230 V
Item no.: 9070441



Flush-mounted temperature
sensor
Item no.: 9070496



Subject to technical changes and misprints

additional information at: www.theben.de/product/4800640

The load data are determined with exemplary selected illuminants and are therefore typical data due to the large number of available products.

05/11/2020

Page 2 of 2