

LUXORliving T4 RF

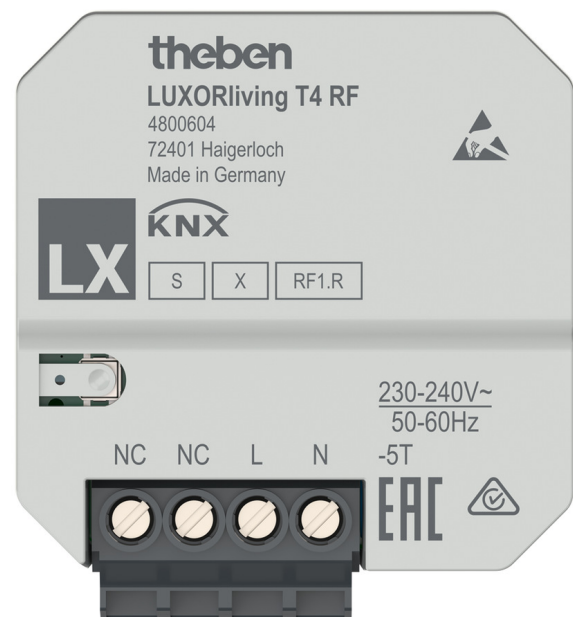
Item no.: 4800604

theben
energy saving comfort

Home and Building control
LUXORliving

Description

- 4-way flush-mounted wireless push-button interface
- Secure communication via with support of „KNX Data Secure“
- 4 binary inputs for potential-free buttons and signaling contacts
- 1 additional input for temperature sensor
- Free assignment of the functions switching, dimming, blinds, temperature measurement and transmission
- Easy installation due to the compact housing
- Can be used with 4-way push-button module



Technical data

LUXORliving T4 RF	
Operating voltage	230 – 240 V AC 50 – 60 Hz
Frequency	50 – 60 Hz
Stand-by consumption	<0.4 W
Installation type	Flush-mounted

LUXORliving T4 RF	
Ambient temperature	-5°C ... 45°C
Protection class	II

Subject to technical changes and misprints

additional information at: www.theben.de/product/4800604

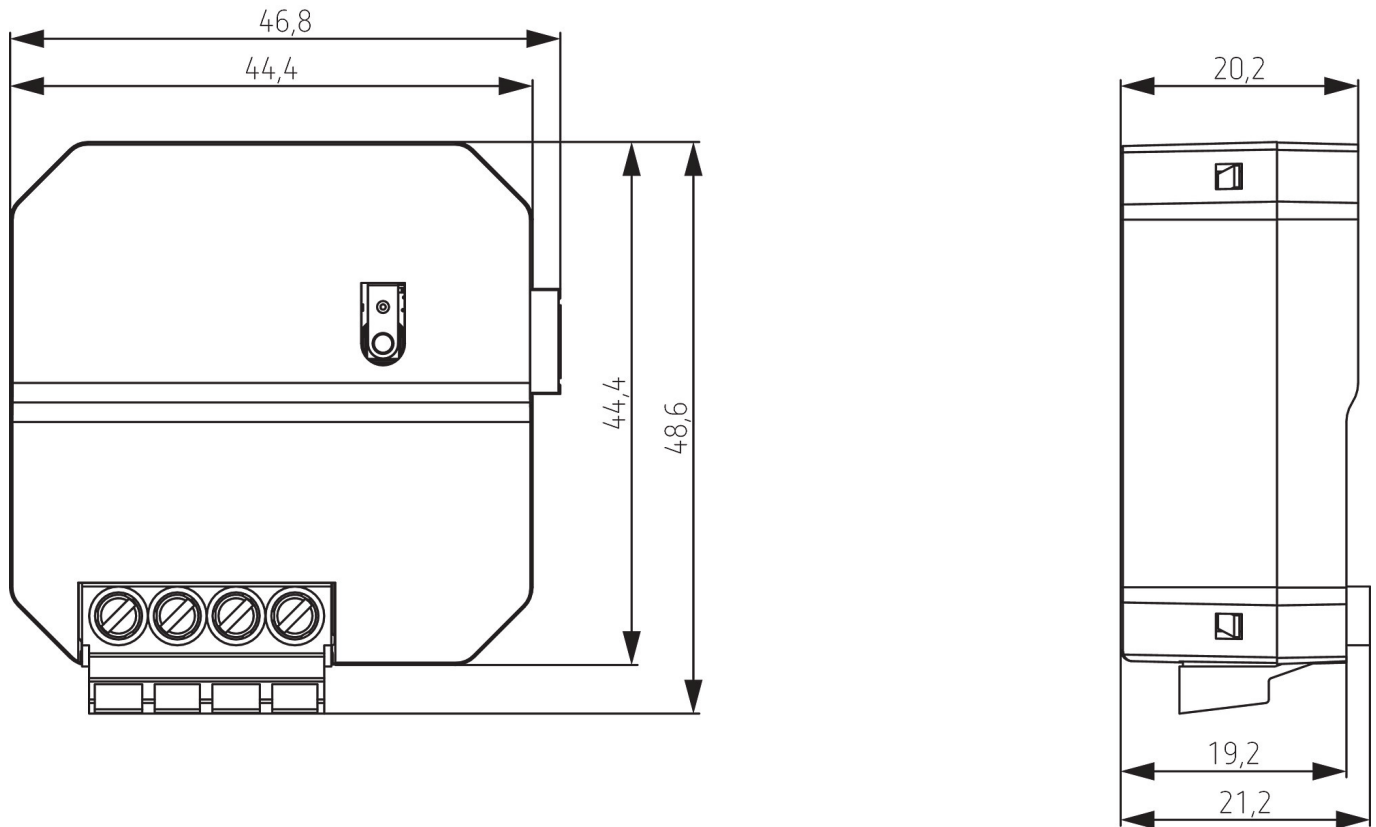
The load data are determined with exemplary selected illuminants and are therefore typical data due to the large number of available products.

LUXORliving T4 RF

Item no.: 4800604

theben
energy saving comfort

Scale drawings

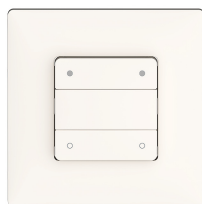


Accessories

Flush-mounted temperature sensor
Item no.: 9070496



4-way push button module
Item no.: 9070806



Subject to technical changes and misprints

additional information at: www.theben.de/product/4800604

The load data are determined with exemplary selected illuminants and are therefore typical data due to the large number of available products.