

LUXORliving J1 RF

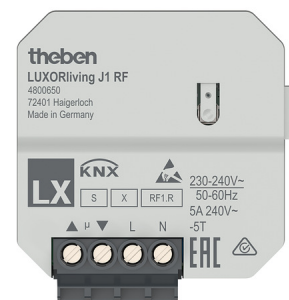
Item no.: 4800650

theben
energy saving comfort

Home and Building control
LUXORliving

Description

- 1-way wireless flush-mounted blind actuator LUXORliving
- For controlling drives for blinds, roller blinds, sun and vision protection devices, skylights, and ventilation flaps
- Encrypted wireless communication
- Integrated automatic ventilation function
- 2 binary inputs for floating contacts such as buttons, switches, window contacts, temperature sensor (I2)
- The binary inputs are assigned to the output as standard (function test before programming)
- Integrated temperature monitoring for increased operating safety, e.g. in the event of overload

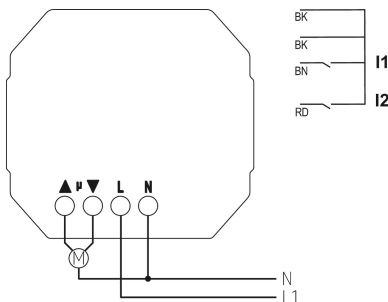


Technical data

LUXORliving J1 RF	
Operating voltage	230 – 240 V AC 50 – 60 Hz
Frequency	50 – 60 Hz
Stand-by consumption	~0.4 W
Installation type	Flush-mounted
Number of channels	1

LUXORliving J1 RF	
Type of contact	5 A
Ambient temperature	-5°C ... 45°C
Protection class	II

Connection example



Subject to technical changes and misprints

additional information at: www.theben.de/product/4800650

The load data are determined with exemplary selected illuminants and are therefore typical data due to the large number of available products.

30/09/2020

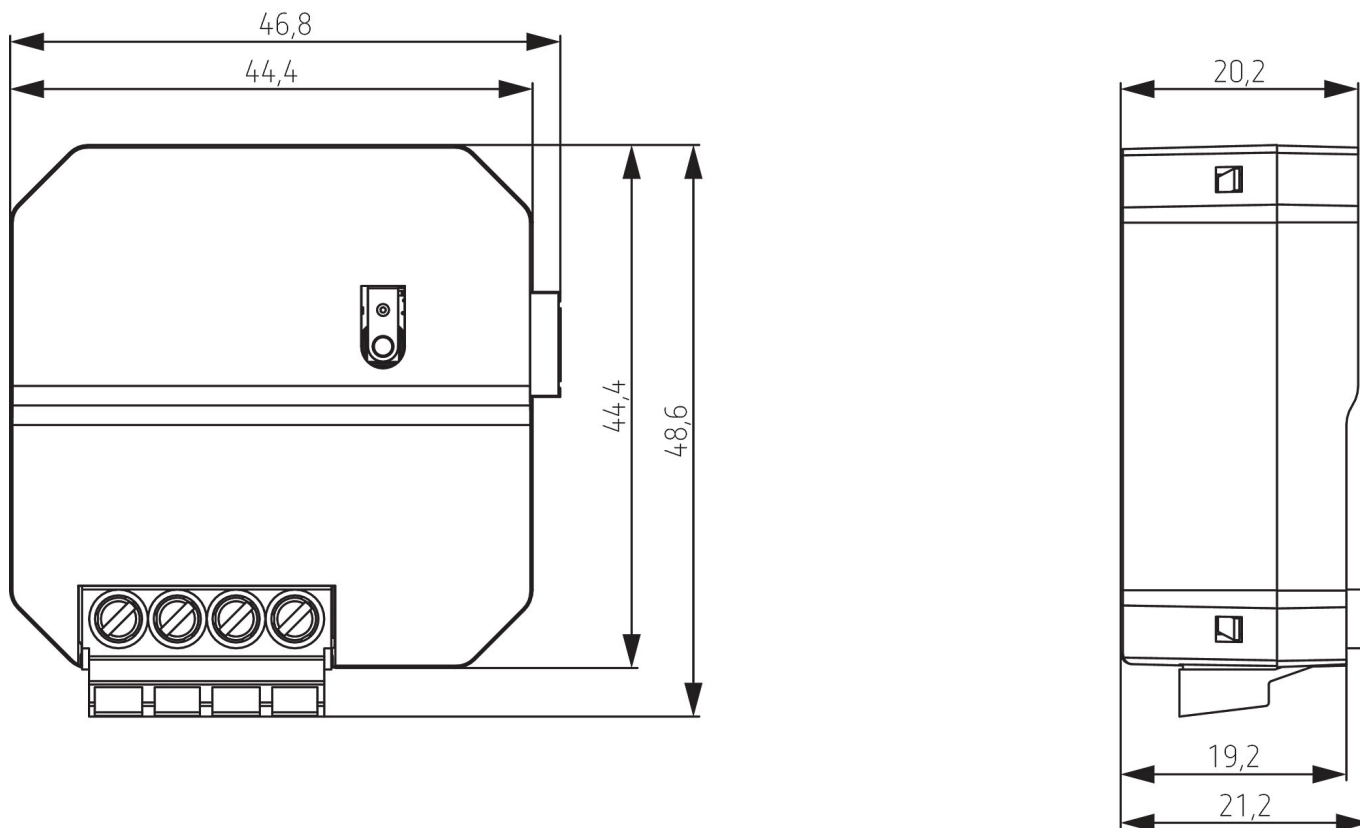
Page 1 of 2

LUXORliving J1 RF

Item no.: 4800650

theben
energy saving comfort

Scale drawings

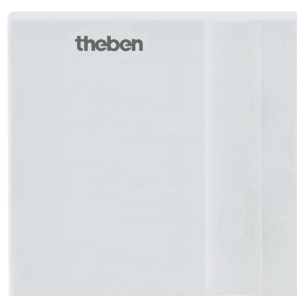


Accessories

Temperature sensor
Item no.: 9070321



Temperature sensor RAMSES IP 65
Item no.: 9070459



Flush-mounted temperature sensor
Item no.: 9070496



Subject to technical changes and misprints

additional information at: www.theben.de/product/4800650

The load data are determined with exemplary selected illuminants and are therefore typical data due to the large number of available products.

30/09/2020

Page 2 of 2