

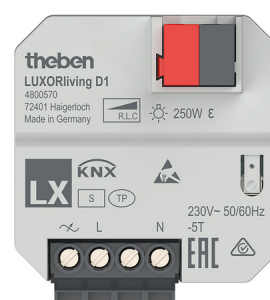
LUXORliving D1

Item no.: 4800570

Home and Building control
LUXORliving

Description

- 1-way flush-mounted dimming actuator LUXORliving
- Optimised dimming output for dimmable energy-saving lamps, LEDs, incandescent and halogen lamps, and dimmable transformers
- Easy to adapt to different lamps thanks to automatic load detection
- Adjustable dimming curve for precise and flicker-free dimming
- 2 binary inputs for floating contacts such as buttons, switches, temperature sensor (I2)
- The binary inputs are assigned to the dimming output as standard (function test before programming)
- Integrated temperature monitoring for increased operating safety, e.g. in the event of overload

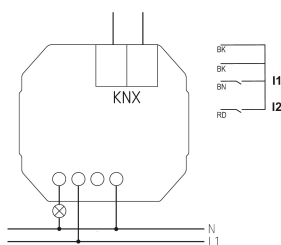


Technical data

LUXORliving D1	
Operating voltage KNX	Bus voltage, ≤ 4 mA
Installation type	Flush-mounted
Number of channels	1
Incandescent/halogen lamp load	250 W
LED lamp < 2 W	250 W

LUXORliving D1	
LED lamp 2-8 W	250 W
LED lamp > 8 W	250 W
Ambient temperature	-5°C ... 45°C

Connection example

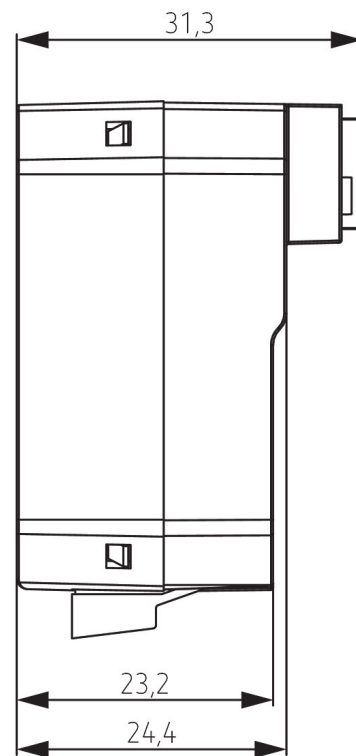
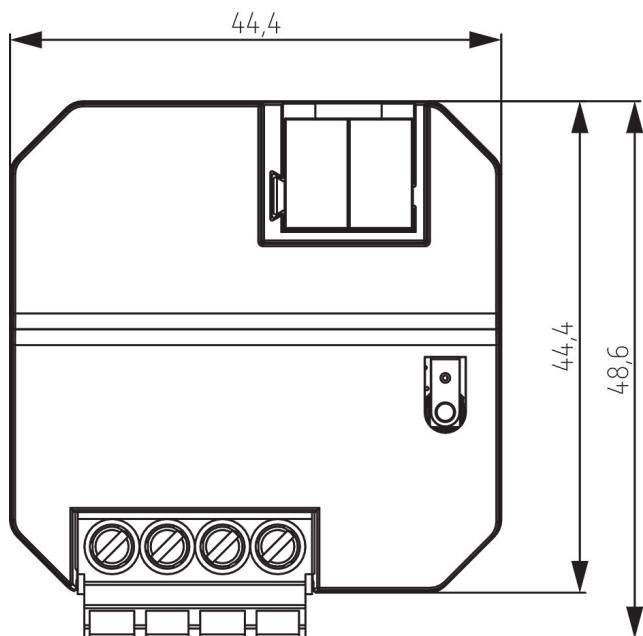


LUXORliving D1

Item no.: 4800570

theben
energy saving comfort

Scale drawings

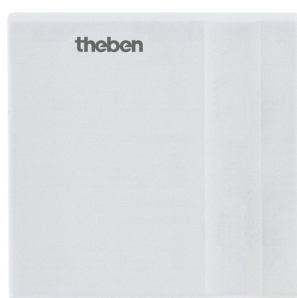


Accessories

Temperature sensor
Item no.: 9070321



Temperature sensor RAMSES IP
65
Item no.: 9070459



Flush-mounted temperature
sensor
Item no.: 9070496



Subject to technical changes and misprints

additional information at: www.theben.de/product/4800570

The load data are determined with exemplary selected illuminants and are therefore typical data due to the large number of available products.

26/02/2021
Page 2 of 2