

LUXORliving J1

Item no.: 4800550

Home and Building control
LUXORliving

Description

- 1-way flush-mounted blind actuator LUXORliving
- For controlling drives for blinds, roller blinds, sun and vision protection devices, skylights, and ventilation flaps
- 2 binary inputs for floating contacts such as buttons, switches, window contact, temperature sensor (I2)
- The binary inputs are assigned to the output as standard (function test before programming)
- Integrated temperature monitoring for increased operating

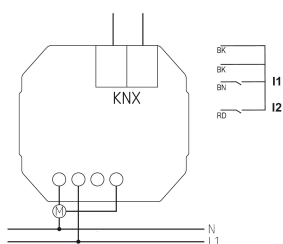


Technical data

LUXORliving J1	
Operating voltage KNX	Bus voltage, ≤ 4 mA
Installation type	Flush-mounted
Number of channels	1

LUXORliving J1	
Type of contact	10 A
Ambient temperature	-5°C ... 45°C

Connection example



Subject to technical changes and misprints

additional information at: www.theben.de/product/4800550

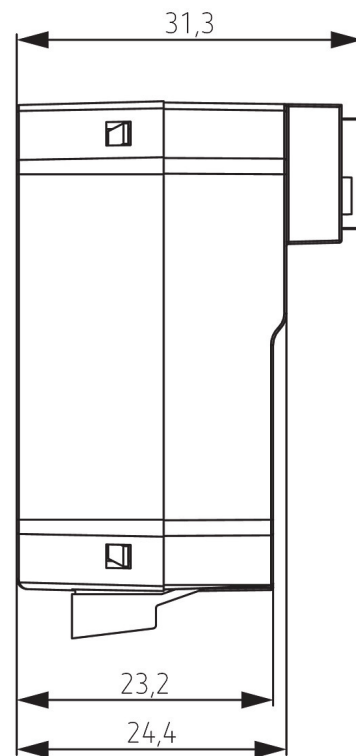
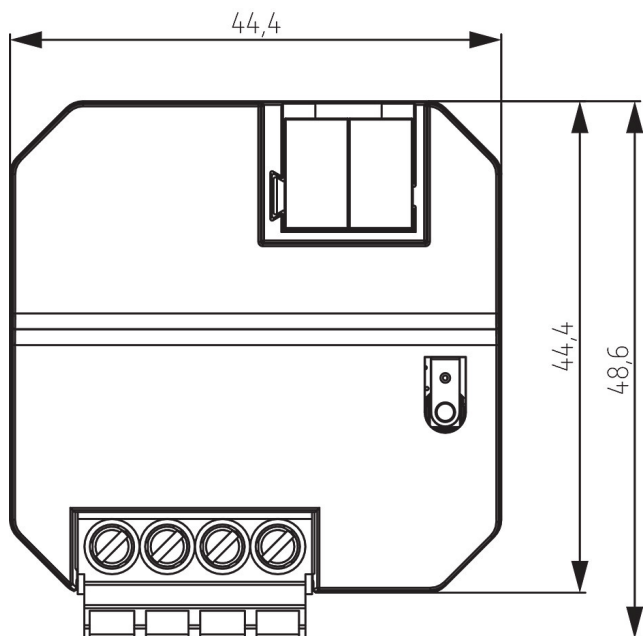
The load data are determined with exemplary selected illuminants and are therefore typical data due to the large number of available products.

LUXORliving J1

Item no.: 4800550

theben
energy saving comfort

Scale drawings

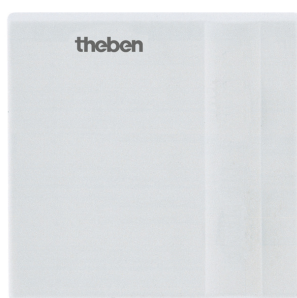


Accessories

Temperature sensor
Item no.: 9070321



Temperature sensor RAMSES IP
65
Item no.: 9070459



Flush-mounted temperature
sensor
Item no.: 9070496



Subject to technical changes and misprints

additional information at: www.theben.de/product/4800550

The load data are determined with exemplary selected illuminants and are therefore typical data due to the large number of available products.

26/02/2021
Page 2 of 2