

# LUXORliving S1

Item no.: 4800520

Home and Building control  
LUXORliving

## Description

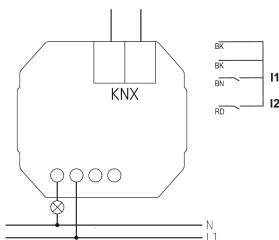
- 1-way flush-mounted switching actuator LUXORliving
- 1x NO contact & 1x NC contact with common control
- Adjustable features: NC/NO contact, switching, delayed switching, pulse function
- 2 binary inputs for floating contacts such as buttons, switches, temperature sensor (I2)
- The binary inputs are assigned to the switch output as standard (function test before programming)
- Integrated temperature monitoring for increased operating safety, e.g. in the event of overload



## Technical data

LUXORliving S1		LUXORliving S1	
Operating voltage KNX	Bus voltage, $\leq 4$ mA	LED lamp < 2 W	50 W
Installation type	Flush-mounted	LED lamp 2-8 W	600 W
Number of channels	1	LED lamp > 8 W	600 W
Type of contact	16 A	Inrush current	max. 740 A / 200 $\mu$ s
Incandescent/halogen lamp load	2000 W	Ambient temperature	-5°C ... 45°C
Halogen lamp load	2000 W		
Energy saving lamps	300 W		

## Connection example



Subject to technical changes and misprints

additional information at: [www.theben.de/product/4800520](http://www.theben.de/product/4800520)

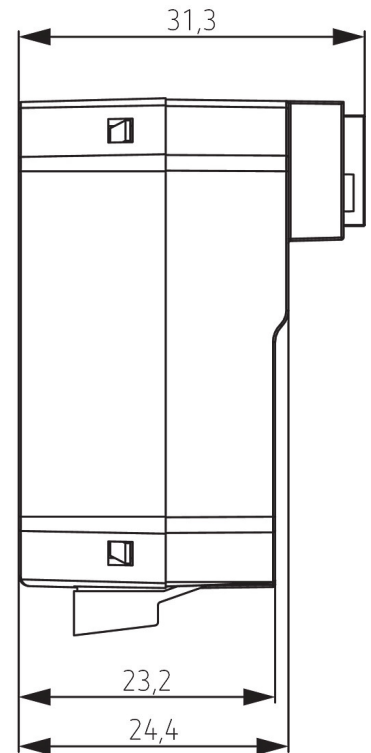
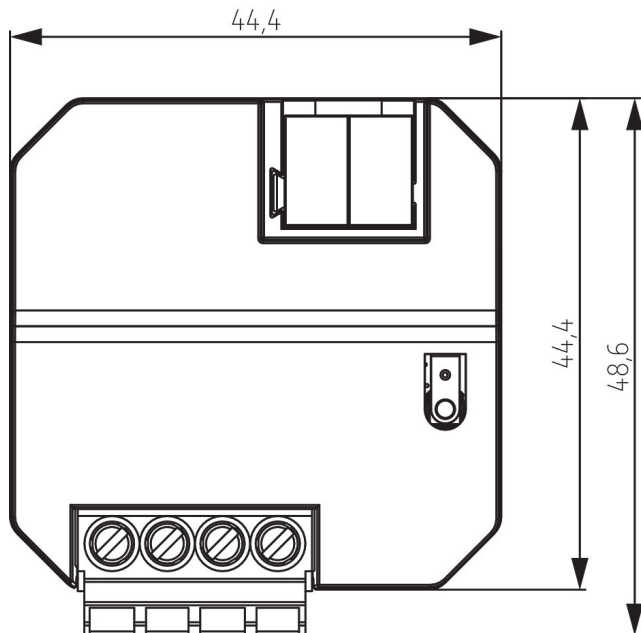
The load data are determined with exemplary selected illuminants and are therefore typical data due to the large number of available products.

# LUXORliving S1

Item no.: 4800520

**theben**  
energy saving comfort

## Scale drawings

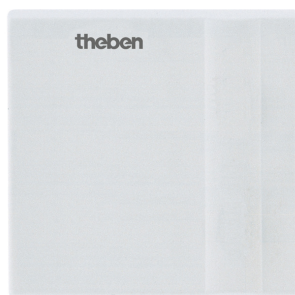


## Accessories

Temperature sensor  
Item no.: 9070321



Temperature sensor RAMSES IP  
65  
Item no.: 9070459



Flush-mounted temperature  
sensor  
Item no.: 9070496



Subject to technical changes and misprints

additional information at: [www.theben.de/product/4800520](http://www.theben.de/product/4800520)

The load data are determined with exemplary selected illuminants and are therefore typical data due to the large number of available products.