

## Description

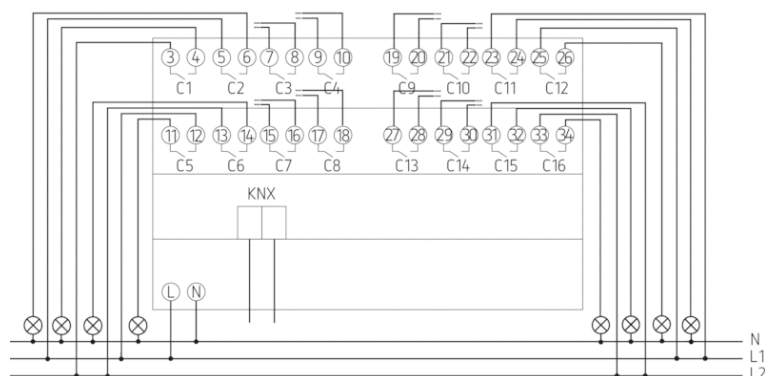


- 16-way switching actuator LUXORliving
- LED switching status display for each channel
- Manual operation on device
- Switching functions: On/Off, pulse, On/Off delay, staircase light with warning

## Technical data

|   |                       |
|---|-----------------------|
| Operating voltage KNX                                   | <4 mA                 |
| Operating voltage                                       | 110 – 240 V AC        |
| Stand-by consumption                                    | <0,3 W                |
| Installation type                                       | DIN rail              |
| Width   | 8 modules             |
| Number of channels                                      | 16                    |
| Type of contact   | NO contact, 16 A, 3 A |
| Fluorescent lamp load (conventional) parallel-corrected | 1300 W (140 µF)       |
| Fluorescent lamp load (conventional) not corrected      | 2000 VA               |
| Fluorescent lamp load (electronic ballast)              | 1200 W                |
| Energy saving lamps                                     | 300 W                 |
| LED lamp < 2 W  | 55 W                  |
| LED lamp 2-8 W  | 180 W                 |
| LED lamp > 8 W  | 200 W                 |
| Inrush current  | max. 800 A / 200 µs   |
| C load  | –                     |
| Type of protection                                      | IP 20                 |
| Protection class  | II                    |

## Connection example



**Scale drawings**

