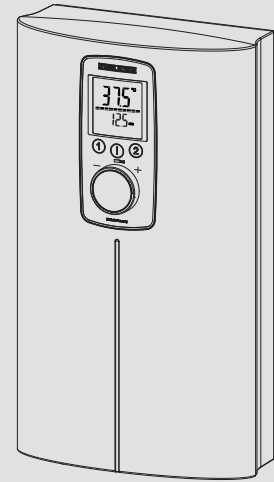


OPERATION AND INSTALLATION  
UTILISATION ET INSTALLATION  
OPERACIÓN E INSTALACIÓN  
RUKOVANJE I INSTALACIJA  
ΧΕΙΡΙΣΜΟΣ ΚΑΙ ΕΓΚΑΤΑΣΤΑΣΗ  
ЭКСПЛУАТАЦИЯ И УСТАНОВКА  
الاستعمال والتركيب

Fully electronically controlled compact instantaneous water heater | Chauffe-eau instantané compact à régulation entièrement électronique | Calentador instantáneo compacto con regulación completamente electrónica | Potpuno elektronički regulirani kompaktni protočni grijač | Πλήρως ηλεκτρονικά ελεγχόμενος κόμπακτ στιγμιαίος θερμαντήρας ροής | Малогабаритный проточный нагреватель с полным электронным управлением

سخان الماء الفوري المُدمج الذي يتم التحكم فيه إلكترونيًا بصورة كاملة

- » DCE-X 6/8 Premium
- » DCE-X 10/12 Premium



**STIEBEL ELTRON**

# CONTENTS

## SPECIAL INFORMATION

### OPERATION

<b>1. General information</b>	<b>4</b>
1.1 Safety instructions	4
1.2 Other symbols in this documentation	4
1.3 Units of measurement	4
<b>2. Safety</b>	<b>4</b>
2.1 Intended use	4
2.2 General safety instructions	4
2.3 Test symbols	5
<b>3. Appliance description</b>	<b>5</b>
<b>4. Settings and displays</b>	<b>5</b>
4.1 User interface	5
4.2 Display symbols	5
4.3 Selecting the set temperature	6
4.4 Temperature limit via internal anti-scalding protection (qualified contractor)	6
4.5 Temperature limit Tmax (user)	6
4.6 Assigning temperature memory buttons	6
4.7 Inlet temperature information	6
4.8 Info menu	6
4.9 Settings in the parameter menu	7
4.10 Recommended settings	8
<b>5. Cleaning, care and maintenance</b>	<b>8</b>
<b>6. Troubleshooting</b>	<b>9</b>

### INSTALLATION

<b>7. Safety</b>	<b>9</b>
7.1 General safety instructions	9
7.2 Shower operation	9
7.3 Instructions, standards and regulations	9
<b>8. Appliance description</b>	<b>10</b>
8.1 Standard delivery	10
8.2 Accessories	10
<b>9. Preparation</b>	<b>10</b>
9.1 Installation site	10
9.2 Minimum clearances	10
9.3 Water installation	10
<b>10. Installation</b>	<b>11</b>
10.1 Standard installation on finished walls	11
<b>11. Commissioning</b>	<b>12</b>
11.1 Internal anti-scalding protection via jumper slot	12
11.2 Changing the connected load via the jumper slot	12
11.3 Initial start-up	12
11.4 Recommissioning	13
<b>12. Appliance shutdown</b>	<b>13</b>
<b>13. Installation alternatives</b>	<b>13</b>
13.1 Electrical connection from above on unfinished walls	13
13.2 Electrical connection from below on unfinished walls	14
13.3 Electrical connection with short power cable	14
13.4 Electrical connection from the side on finished walls	14
13.5 Water installation on unfinished walls	14
13.6 Operation with preheated water	15

<b>14. Service information</b>	<b>15</b>
<b>15. Troubleshooting</b>	<b>16</b>
15.1 Fault code display	16
<b>16. Maintenance</b>	<b>17</b>
16.1 Draining the appliance	17
16.2 Cleaning the strainer	17
<b>17. Specification</b>	<b>18</b>
17.1 Dimensions and connections	18
17.2 Wiring diagram	18
17.3 DHW output	18
17.4 Application areas / conversion table	19
17.5 Pressure drop	19
17.6 Fault conditions	19
17.7 Energy consumption data	19
17.8 Data table	20

### GUARANTEE

### ENVIRONMENT AND RECYCLING



## SPECIAL INFORMATION

- The appliance may be used by children over 3 years of age and persons with reduced physical, sensory or mental capabilities or a lack of experience and expertise, provided that they are supervised or they have been instructed on how to use the appliance safely and have understood the potential risks. Children must never play with the appliance. Cleaning and user maintenance must not be carried out by children without supervision.
  - During operation, the tap can reach temperatures up to 70 °C. There is a risk of scalding at outlet temperatures in excess of 43 °C.
  - The appliance is suitable for supplying a shower (shower operation). If the appliance is also or exclusively used for shower operation, the qualified contractor must adjust the temperature setting range to 55 °C or less using the internal anti-scalding protection on the appliance. When using preheated water, ensure that the inlet temperature does not exceed 55 °C.
  - Ensure the appliance can be separated from the power supply by an isolator that disconnects all poles with at least 3 mm contact separation.
  - The specified voltage must match the power supply.
  - The appliance must be connected to the earth conductor.
  - The appliance must be permanently connected to fixed wiring.
  - Secure the appliance as described in chapter "Installation / Installation".
  - Observe the maximum permissible pressure (see chapter "Installation / Specification / Data table").
  - The specific water resistivity of the mains water supply must not be undershot (see chapter "Installation / Specification / Data table").
- Drain the appliance as described in chapter "Installation / Maintenance / Draining the appliance".

# OPERATION

## 1. General information

The chapters "Special information" and "Operation" are intended for both users and qualified contractors.

The chapter "Installation" is intended for qualified contractors.



### Note

Read these instructions carefully before using the appliance and retain them for future reference. Pass on these instructions to a new user if required.

### 1.1 Safety instructions

#### 1.1.1 Structure of safety instructions



#### KEYWORD Type of risk

Here, possible consequences are listed that may result from failure to observe the safety instructions.

► Steps to prevent the risk are listed.

#### 1.1.2 Symbols, type of risk

Symbol	Type of risk
	Injury
	Electrocution
	Burns (burns, scalding)

#### 1.1.3 Keywords

KEYWORD	Meaning
DANGER	Failure to observe this information will result in serious injury or death.
WARNING	Failure to observe this information may result in serious injury or death.
CAUTION	Failure to observe this information may result in non-serious or minor injury.

## 1.2 Other symbols in this documentation



### Note

General information is identified by the adjacent symbol.

► Read these texts carefully.

Symbol	Meaning
	Material losses (appliance damage, consequential losses and environmental pollution)
	Appliance disposal

► This symbol indicates that you have to do something. The action you need to take is described step by step.

## 1.3 Units of measurement



### Note

All measurements are given in mm unless otherwise stated.

## 2. Safety

### 2.1 Intended use

This appliance is suitable for heating domestic hot water or for reheating preheated water. The appliance can supply one or more draw-off points.

Water will not be reheated if the maximum inlet temperature for reheating is exceeded.

The appliance is intended for domestic use. It can be used safely by untrained persons. The appliance can also be used in non-domestic environments, e.g. in small businesses, as long as it is used in the same way.

Any other use beyond that described shall be deemed inappropriate. Observation of these instructions and of the instructions for any accessories used is also part of the correct use of this appliance.

### 2.2 General safety instructions



#### CAUTION Burns

During operation, the tap can reach temperatures up to 70 °C.

There is a risk of scalding at outlet temperatures in excess of 43 °C.



#### CAUTION Burns

If children or persons with limited physical, sensory or mental capabilities use the appliance, set a temperature limit. Once set, check the temperature limit is working correctly.

If a permanent and unchangeable temperature limit is required, have the internal anti-scalding protection set by a qualified contractor.

# Appliance description



**CAUTION Burns**  
 If operating with preheated water, e.g. if using a solar thermal system, observe the following information:  
 The DHW temperature may exceed the set temperature or a set temperature limit.  
 ► In this case, limit the temperature with an upstream central thermostatic valve.



**WARNING Injury**  
 The appliance may be used by children over 3 years of age and persons with reduced physical, sensory or mental capabilities or a lack of experience and expertise, provided that they are supervised or they have been instructed on how to use the appliance safely and have understood the potential risks. Children must never play with the appliance. Cleaning and user maintenance must not be carried out by children without supervision.



**Material losses**  
 The user should protect the appliance and its tap against frost.



**Note**  
 In order to comply with protection rating IP 25, countersunk screws must be used to secure the appliance to the wall.

## 2.3 Test symbols

See type plate on the appliance.

## 3. Appliance description

The appliance switches on automatically as soon as you open the hot water valve on the tap. When you close the tap, the appliance switches off again automatically.

The appliance heats water as it flows through it. The set temperature is adjustable. Upwards of a certain flow rate, the control unit selects the required heating output, subject to the temperature selected and the cold water temperature.

The compact instantaneous water heater with full electronic control and automatic output matching maintains a consistent outlet temperature. The fully electronic control unit with motorised valve ensures the water is accurately heated to the selected temperature. This occurs regardless of the inlet temperature.

If the appliance is operated with preheated water and the inlet temperature exceeds the selected temperature, the inlet temperature is indicated on the second display line and flashes. The water is not heated further.

You can store different set temperatures and call them up quickly. In the ECO function, the integral motorised valve limits the flow rate to 3 preset levels. The appliance has setting options for a temperature limit (Tmax function, user) and internal anti-scalding protection (qualified contractor). The backlight switches on automatically as soon as water starts to flow through the appliance or you make a change on the user interface. The backlight switches off automatically after water stops flowing or if no action is performed.

## Heater

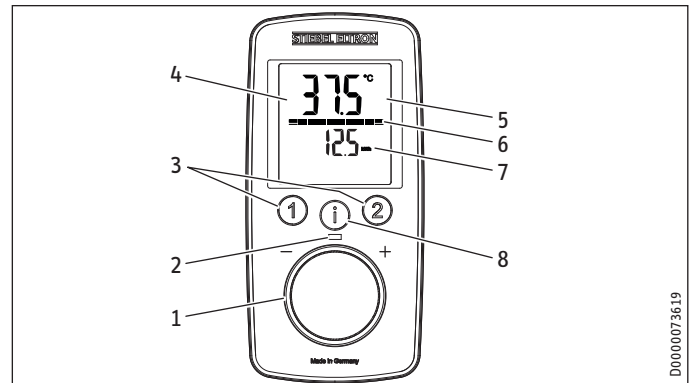
The bare wire heating system is enclosed within a pressure-tested plastic jacket. The heating system with its stainless steel heater spiral is suitable for hard and soft water areas and is largely insusceptible to scale build-up. The heating system ensures rapid and efficient DHW provision.



**Note**  
 The appliance is equipped with an air detector that largely prevents damage to the heating system. If, during operation, air is drawn into the appliance, the appliance shuts down heating output for one minute to protect the heating system.

## 4. Settings and displays

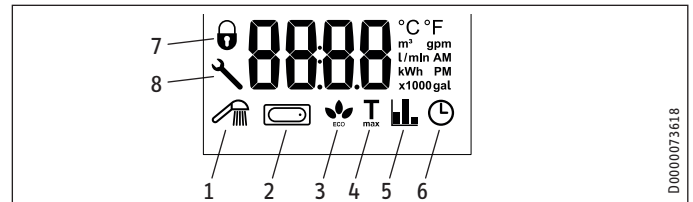
### 4.1 User interface



- 1 Selector
- 2 Operating LED (flashes when output limit is reached)
- 3 Temperature memory keys
- 4 Backlit display
- 5 Main display | info display | parameter display
- 6 Segment display [10 - 100 %]
- 7 Second display line
- 8 "i" button to call up information and select menus

### 4.2 Display symbols

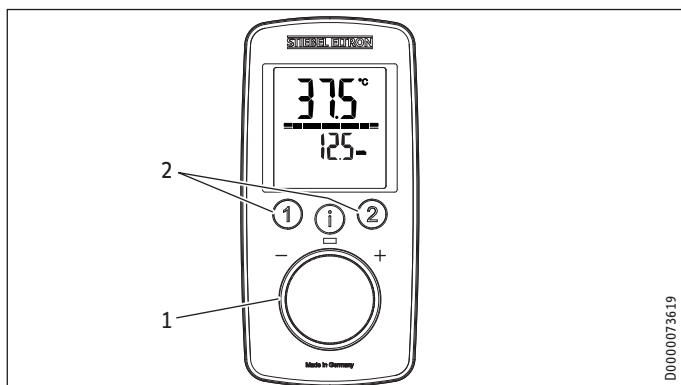
The symbols are shown on the display when activated.



- 1 Wellness showers
- 2 Automatic water volume control
- 3 ECO display
- 4 Tmax, displayed when temperature limit is enabled
- 5 Consumption indicator
- 6 Time
- 7 Operating lock [ON / OFF]
- 8 Spanner symbol, appears in the event of a fault

# Settings and displays

## 4.3 Selecting the set temperature



- 1 Set temperature settings: OFF, 20 - 60 °C
- 2 To call up/assign preferred temperatures

Settings			
Setting	Step	Setting	Step
20 °C ... 60 °C	0.5 °C	68 °F ... 140 °F	1 °F

## 4.4 Temperature limit via internal anti-scalding protection (qualified contractor)

If required, the qualified contractor can set a permanent temperature limit, for example in nurseries, hospitals, etc.

When supplying a shower, the appliance temperature setting range must be adjusted by the qualified contractor to 55 °C or less.

If the anti-scalding protection function is enabled and the temperature limit is reached, "Tmax" flashes.

## 4.5 Temperature limit Tmax (user)

You can adjust the temperature limit individually. If the temperature limit is enabled, "Tmax" is shown on the display.

### Activating/deactivating the temperature limit Tmax

See chapter "Settings in the parameter menu".

## 4.6 Assigning temperature memory buttons

Memory buttons "1" and "2" can each be assigned a preferred temperature.

- ▶ Select the preferred temperature.
- ▶ To save the preferred temperature, press and hold button "1" or "2" for more than 3 seconds. The selected temperature flashes once to confirm.

## 4.7 Inlet temperature information

If the appliance is operated with preheated water and the inlet temperature exceeds the selected set temperature, the inlet temperature is indicated on the second display line and flashes. The water is not heated further.

## 4.8 Info menu

The appliance has an additional display where consumption values can be shown.

### 4.8.1 Calling up the info menu

- ▶ Briefly press "i" until "i 1" appears, then continue to press "i" to see further menus.
- ▶ Exit the menu item by pressing "i" and holding for more than 5 seconds. Alternatively: The system exits the menu item automatically 30 seconds after the setting has been completed.

Menu	Description	Explanations	Screen   display
I 1	Flow rate	The current flow rate is shown.	Flow rate in l/min or gpm
I 2	Time	The current time is shown.	Time
I 3	Energy consumption	The amount of energy consumed is shown.	Value in kWh
I 4	Water consumption	The amount of water consumed is shown.	Value in m <sup>3</sup> or gal



### Note

The consumption values are calculated starting from the last reset.




4.9 Settings in the parameter menu

4.9.1 Activating the parameter menu

- ▶ Briefly press and hold "i" for more than 5 seconds until "P 1" appears, then continue by briefly pressing "i".
- ▶ In the selected parameter menu, turn the temperature selector to the required display / setting.

4.9.2 Parameter menu

Menu	Description	Selectable display   setting	Explanations	Symbol   display
P 1	ECO water and energy saving function	OFF   ECO1   ECO2   ECO3	The ECO function enables you to limit the flow rate to a maximum value. Flow rate limit: 6 l/min with "ECO1"   5 l/min with "ECO2"   4 l/min with "ECO3"   No flow rate limit with "OFF".	
P 2	Temperature limit Tmax	OFF   20.0   20.5 ... °C or 68   69 ... °F	The temperature limit allows you as a user to restrict the adjustable set temperature at the appliance to a maximum value. Check that the upper temperature limit has been correctly applied. Your qualified contractor can set an additional temperature limit for anti-scalding protection. This temperature then dictates the upper limit of the setting range for the temperature limit function.	
P 3	Wellness showers	OFF   Pro1   Pro2   Pro3   Pro4	The Wellness shower program lets you choose from 4 different alternating shower programs. WW = domestic hot water, KW = cold water, min = minutes, sec = seconds - 1 Cold prevention To strengthen the body, we recommend finishing off with a cold shower; this will trigger a reflex in the body to warm up.  - 2 Winter refreshment An invigorating end to a winter shower with a final warm-up.  - 3 Summer fitness program A quick contrast shower to increase fitness with a final warm-up.  - 4 Circulation boost program Shower your arms and legs with cold water to boost circulation. Spray from the hands and feet towards the body. You can then repeat this process with hot water. 	
P 4	Automatic water volume control – set the volume in the selected unit	OFF   5   10   ... 200   or 2 ... 52 gal	With the automatic water volume control, you can preselect a volume of water, e.g. for filling a bathtub. When the preselected water volume is reached, the automatic control reduces the flow rate. The automatic water volume control must be enabled on each occasion prior to filling the bath. Example, filling a bath with 80 litres (21 gallons): When the bath has been filled with 80 litres (21 gallons), the control automatically reduces the flow rate to 4 l/min (1 gpm).	
P 5	Temperature unit	C   F	Select the temperature unit for all settings.	°C   °F
P 6	Volume unit	L   GAL	Select the volume unit for all settings.	l   gal
P 7	Time format	24h   12h	Select time format.	
P 8	Time setting	--:--	You can set the time using the 12 or 24 hour clock: - 12 hours from 00:00 - 11:59 = AM   11:59 - 00:00 = PM - 24 hours from 00:00 to 23:59 After a power cut, the time needs to be set again.	AM   PM (only for 12h)

Menu	Description	Selectable display   setting	Explanations	Symbol   display
P 9	Operating lock	ON   OFF	You can set the operating lock to "ON" or "OFF". To disable the set operating lock: ▶ Press and hold "i" for more than 12 seconds.	 (only when ON)
P 10	Reset to factory settings	Reset (rSEt)	You can restore the appliance to its factory settings. "rSEt" is shown on the display. ▶ Press "1" and "2" simultaneously and hold for longer than 5 seconds. The display switches to "On" to confirm the reset. ▶ To confirm "On", press and hold "i" for more than 5 seconds.	
P 11	Resetting the consumption values	Reset (rSEt    )	You can reset the consumption values. "rSEt" is shown on the display. ▶ Press "1" and "2" simultaneously and hold for longer than 5 seconds. The display switches to "On" to confirm the reset. ▶ To confirm "On", press and hold "i" for more than 5 seconds.	
P 12	Backlighting	Auto   On	You can adjust the display backlight. - If "Auto" is selected, the backlight is switched on during heating operation and each time an action is performed. If no action is performed for 30 seconds, the backlight is switched off again. - If you select "On", the backlight will remain on constantly.	
P 13	Reduce backlighting	100 %   20 % (  )	You can select 2 levels of brightness for the backlight.	

#### 4.9.3 Deactivating the parameter menu

- ▶ Exit the menu item by pressing "i" and holding for more than 5 seconds. Alternatively: The system exits the menu item automatically 30 seconds after the setting has been completed.

#### 4.10 Recommended settings

Your instantaneous water heater offers maximum precision and maximum convenience in DHW provision. Should you nonetheless operate the appliance with a thermostatic valve, we recommend that you:

- ▶ Adjust the set temperature on the appliance to over 50 °C. Then set the required set temperature on the thermostatic valve.

#### Saving energy

The following recommended settings will result in the lowest energy consumption:

- 38 °C for hand washbasins, showers, bath
- 55 °C for kitchen sinks

#### Internal anti-scalding protection (qualified contractors)

If required, the qualified contractor can set a permanent temperature limit, for example in nurseries, hospitals, etc.

#### Recommended setting for operation with a thermostatic valve and water preheated by solar energy

- ▶ Set the temperature at the appliance to the maximum temperature.

#### Following an interruption to the water supply



##### Material losses

To ensure that the bare wire heating system is not damaged following an interruption to the water supply, the appliance must be recommissioned by taking the following steps.

- ▶ Disconnect the appliance from the power supply by removing the fuses/tripping the MCBs.
- ▶ Open the tap for one minute until the appliance and its upstream cold water inlet line are free of air.
- ▶ Switch on the power supply again.

## 5. Cleaning, care and maintenance

- ▶ Never use abrasive or corrosive cleaning agents. A damp cloth is sufficient for cleaning the appliance.
- ▶ Check the taps regularly. Limescale deposits at the tap outlets can be removed using commercially available descaling agents.

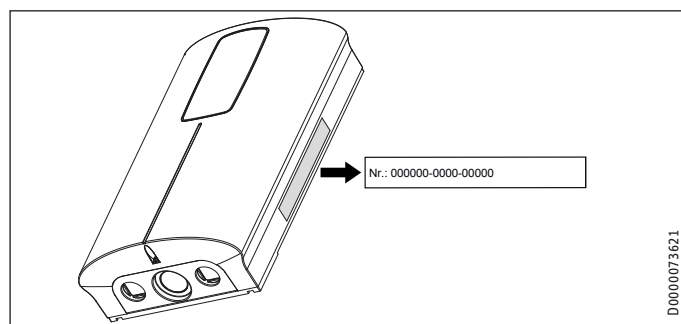
## 6. Troubleshooting

Problem	Cause	Remedy
The appliance will not start despite the DHW valve being fully open.	There is no power.	Check the fuses / MCBs in your fuse box / distribution board.
	The aerator in the tap or the shower head is scaled up or dirty.	Clean and/or descale the aerator or shower head.
	The water supply has been interrupted.	Vent the appliance and the cold water inlet line.
When hot water is being drawn off, cold water flows for a short period.	The air sensor is detecting air in the water. It briefly switches off the heating output.	The appliance restarts automatically after 1 minute.
The required temperature cannot be set.	The high limit safety cut-out and/or internal anti-scalding protection is enabled.	Deactivate the temperature limit. The internal anti-scalding protection can only be adjusted by a qualified contractor.
The flow rate is too low.	ECO function is enabled.	Select a different ECO level or disable the ECO function.
No settings can be made on the programming unit.	The operating lock is enabled.	To deactivate the operating lock, press the "i" button for more than 12 seconds.



**Note**  
 Programming unit displays and selected settings are retained following a power failure (with the exception of the time).

If you cannot remedy the fault, contact your qualified contractor. To facilitate and speed up your enquiry, please provide the serial number from the type plate (000000-0000-000000).



## INSTALLATION

### 7. Safety

Only a qualified contractor should carry out installation, commissioning, maintenance and repair of the appliance.

#### 7.1 General safety instructions

We guarantee trouble-free function and operational reliability only if original accessories and spare parts intended for the appliance are used.



#### Material losses

Observe the maximum inlet temperature. Higher temperatures may damage the appliance. You can limit the maximum inlet temperature by installing a central thermostatic valve.



#### WARNING Electrocutation

This appliance contains capacitors which are discharged when disconnected from the power supply. The capacitor discharge voltage may briefly exceed 60 V DC.

#### 7.2 Shower operation



#### CAUTION Burns

► When supplying a shower, set the internal anti-scalding protection to 55 °C or less; see chapter "Commissioning / Preparations".



#### CAUTION Burns

If operating with preheated water, e.g. if using a solar thermal system, observe the following information:  
 The DHW temperature may exceed the set temperature or a set temperature limit.  
 ► In this case, limit the temperature with an upstream central thermostatic valve.

#### 7.3 Instructions, standards and regulations



#### Note

Observe all applicable national and regional regulations and instructions.

- The protection rating IP 25 (hoseproof) is only guaranteed with a properly fitted cable grommet and the use of counter-sunk screws Ø 4.5 mm with a max. head diameter of 9 mm.
- The electrical resistivity of the water must not fall below that stated on the type plate. In a linked water network, take into consideration the lowest electrical resistivity of the water. Your water supply utility will advise you of the electrical resistivity or conductivity of the water in your area.



### 8. Appliance description

#### 8.1 Standard delivery

The following are delivered with the appliance:

- 2 x 45° twin nipples
- 2 flat gaskets
- 2 O-rings
- Cable grommet
- Strainer
- Jumper for anti-scalding protection, attached
- Jumper for output changeover, attached

#### 8.2 Accessories

##### Installation kit for water installation on unfinished walls

The following accessories are required for water installation on unfinished walls:

- 2 x grommets to seal the apertures in the appliance back panel.
- Strainer with sealed edge for installation on the 45° twin nipple.
- Flat gasket

### 9. Preparation

#### 9.1 Installation site



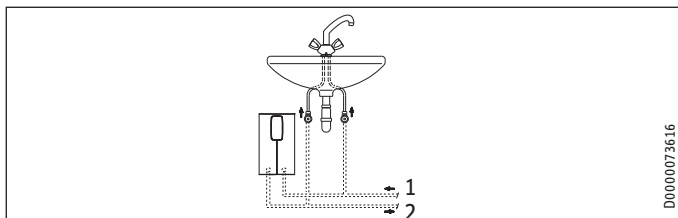
##### Material losses

Install the appliance in a room that is free from the risk of frost.

- ▶ Always install the appliance vertically and near the draw-off point.

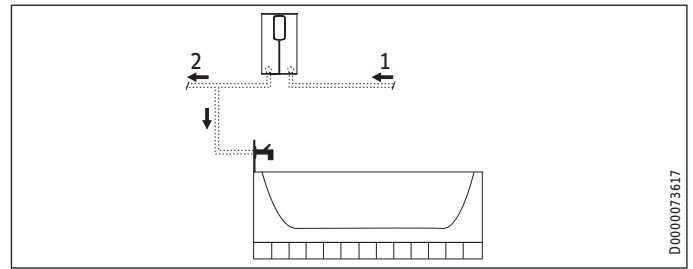
The appliance is suitable for undersink and oversink installation.

##### Undersink installation



- 1 Cold water inlet
- 2 DHW outlet

##### Oversink installation



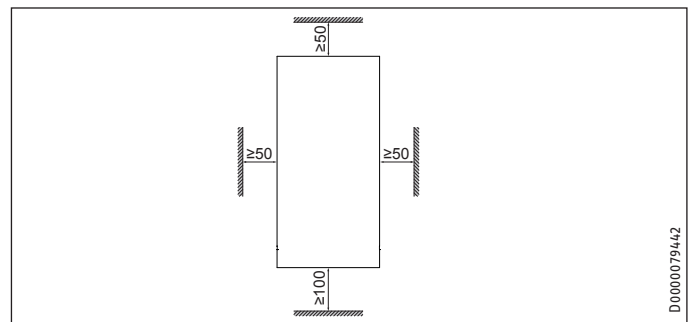
- 1 Cold water inlet
- 2 DHW outlet



##### Note

▶ Install the appliance flush to the wall. The wall must have sufficient load bearing capacity.

#### 9.2 Minimum clearances



- ▶ Maintain the minimum clearances to ensure trouble-free operation of the appliance and facilitate maintenance work.

#### 9.3 Water installation



##### Material losses

Carry out all water connection and installation work in accordance with regulations.

- ▶ Flush the water line thoroughly.

##### Fittings

Use appropriate pressure taps. Open vented taps are not permissible.

##### Permissible water line materials

- Cold water inlet line:  
Pipes made from galvanised steel, stainless steel, copper or plastic
- DHW outlet line:  
Pipes made from stainless steel, copper or plastic



##### Material losses

If plastic pipework systems are used, take into account the maximum inlet temperature and the maximum permissible pressure.



# INSTALLATION

## Installation

### Flow rate

- ▶ Ensure that the flow rate for switching on the appliance is achieved.
- ▶ If the required flow rate is not achieved when the draw-off valve is fully open, increase the water line pressure.

## 10. Installation

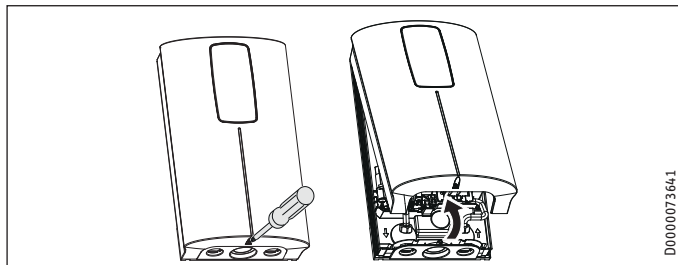
Factory settings	DCE-X 6/8 Premium	DCE-X 10/12 Premium
Internal anti-scalding protection in °C	60	60
Connected load in kW	@ 220 V	8.0
	@ 230 V	8.7
	@ 240 V	9.6

Standard installation	DCE-X 6/8 Premium	DCE-X 10/12 Premium
Electrical connection from below, installation on finished walls from below	x	x
Water connection, installation on finished walls	x	x

For further installation options, see chapter "Alternative installation methods".

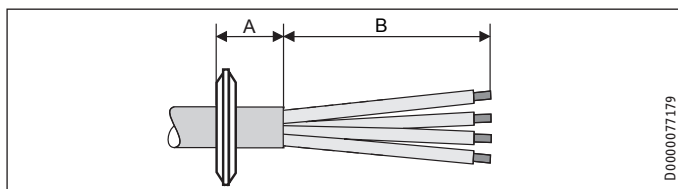
### 10.1 Standard installation on finished walls

#### Opening the appliance



- ▶ Open the appliance by undoing the screw and lifting up the appliance cover.

#### Preparing the power cable

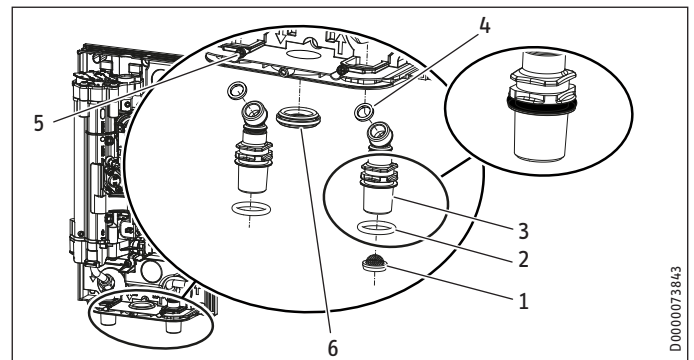


- ▶ Prepare the power cable.

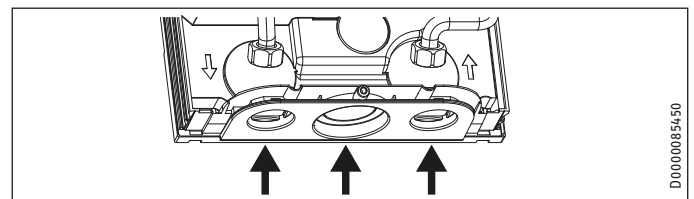
Position on finished walls	Dimension A	Dimension B
Bottom, centre	30	120
Bottom, left side of appliance	20	90
Bottom, right side of appliance	20	90
Top, right side of appliance	20	80

Position on unfinished walls	Dimension A	Dimension B
Bottom	20	90
Top	20	80

### Preparation



- 1 Strainer
  - 2 O-rings
  - 3 45° twin nipple
  - 4 Flat gaskets
  - 5 Locking screws
  - 6 Cable grommet
- ▶ Undo the locking screws.



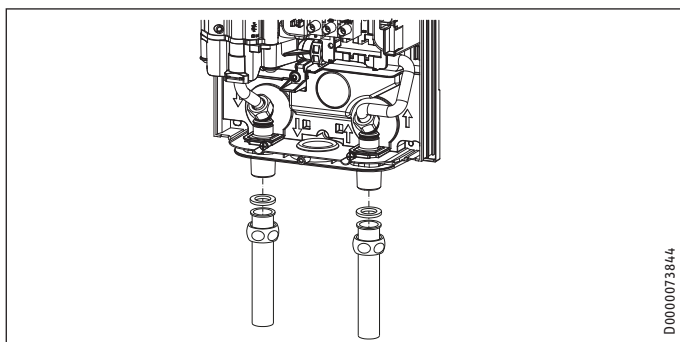
- ▶ Push/break out the required apertures where marked on the appliance back panel for the power cable and twin nipples. Use a suitable flat tool when doing so. Deburr any sharp edges with a file.
- ▶ Remove the transport protection plugs from the water connection pipes.
- ▶ Cut a hole in the cable grommet to fit the selected connecting cable. Fit the cable grommet.
- ▶ Fit the O-rings into the groove on the twin nipples.
- ▶ Push the twin nipples into the apertures in the appliance back panel and fit them to the appliance connection pipes using flat gaskets (torque 8 Nm).
- ▶ Secure the twin nipples with the locking screws.
- ▶ Insert the strainer in the twin nipple of the cold water connection.

#### Installing the appliance

- ▶ Push/break out the lower slots (175 mm apart) in the back panel for securing the appliance (for positions, see chapter "Specification / Dimensions and connections"). The upper two fixing holes are already open.
- ▶ Mark out the 4 drilling positions with reference to the appliance back panel.
- ▶ Drill the holes and secure the appliance using suitable fixing materials (screws and rawl plugs are not part of the standard delivery): Countersunk screw, Ø 4.5 mm, max. diameter of screw-head 9 mm.

# INSTALLATION

## Commissioning



- ▶ Fit a suitable pressure tap.
- ▶ Fit the water supply pipes for the valve (not included in standard delivery) to the twin nipples using the flat gaskets.
- ▶ Open the shut-off valve in the cold water inlet line.

### Making the electrical connection

**WARNING Electrocutation**  
Carry out all electrical connection and installation work in accordance with relevant regulations.

**WARNING Electrocutation**  
The connection to the power supply is only permissible as a permanent connection in conjunction with the removable cable grommet. Ensure the appliance can be separated from the power supply by an isolator that disconnects all poles with at least 3 mm contact separation.

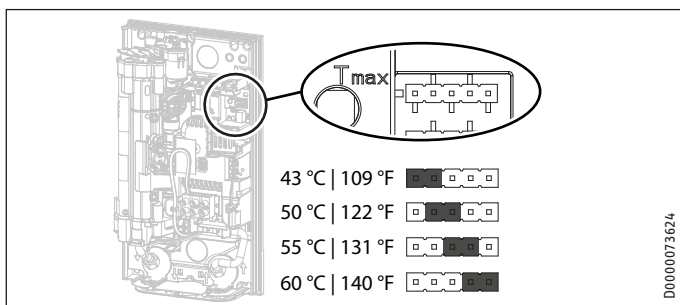
**WARNING Electrocutation**  
Ensure that the appliance is connected to the earth conductor.

**Material losses**  
Observe the type plate. The specified rated voltage must match the power supply.

- ▶ Push the power cable through the cable grommet.
- ▶ Connect the power cable to the mains terminal (see chapter "Installation / Specification / Wiring diagram").

## 11. Commissioning

### 11.1 Internal anti-scalding protection via jumper slot



- ▶ Install the jumper in the required position on the "Tmax" pin strip.

Jumper position	Description
43 °C   109 °F	For example in nurseries, hospitals, etc.
50 °C   122 °F	
55 °C   131 °F	Max. for shower operation
60 °C   140 °F	Factory setting
No jumper	Limit 43 °C   109 °F



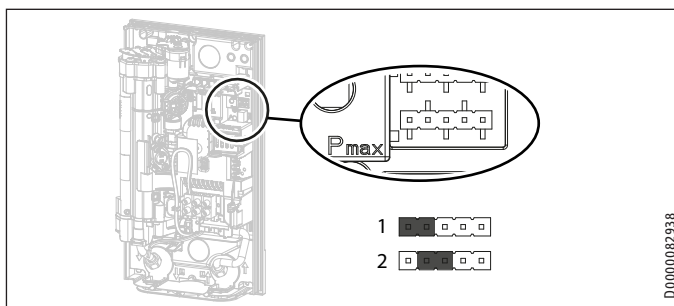
#### CAUTION Burns

If operating with preheated water, e.g. if using a solar thermal system, the internal anti-scalding protection and the temperature limit Tmax, which can be set by the user, may be exceeded.

- ▶ In this case, limit the temperature with an upstream central thermostatic valve.

### 11.2 Changing the connected load via the jumper slot

If you select a connected load other than the factory setting for the appliance, you will need to reposition the jumper.

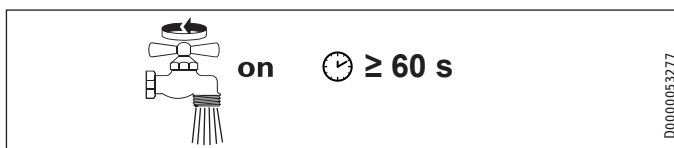


- ▶ Install the jumper in the required position on the "Pmax" pin strip.

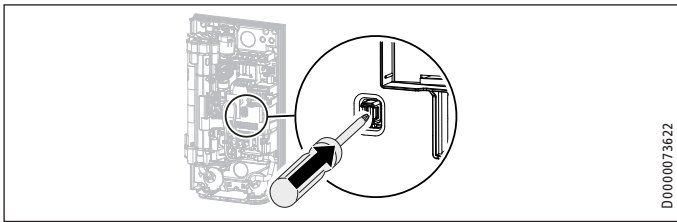
Jumper position	Connected load	
	DCE-X 6/8 Premium	DCE-X 10/12 Premium
1	@ 220 V	6.0 kW
	@ 230 V	6.6 kW
	@ 240 V	7.2 kW
2	@ 220 V	8.0 kW
	@ 230 V	8.7 kW
	@ 240 V	9.6 kW
No jumper	@ 220 V	6.0 kW
	@ 230 V	6.6 kW
	@ 240 V	7.2 kW

### 11.3 Initial start-up

- ▶ Tick the selected connected load on the type plate. Use a ballpoint pen to do this.

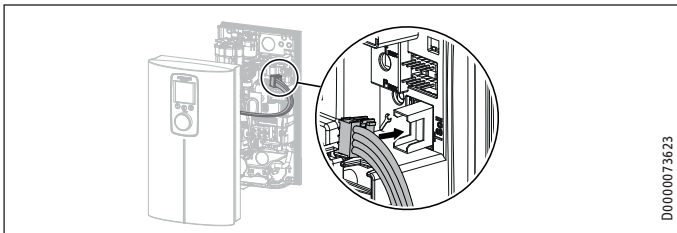


- ▶ Open and close all connected draw-off valves several times, until all air has been purged from the pipework and the appliance.
- ▶ Carry out a tightness check.



D0000073622

- ▶ Activate the safety switch by firmly pressing the reset button (the appliance is delivered with the safety switch disabled).



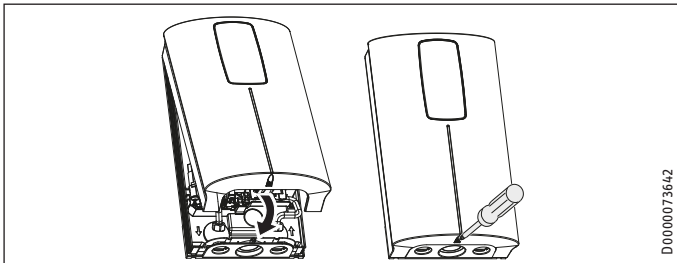
D0000073623

- ▶ Insert the plug of the programming unit connecting cable at the PCB.



**Note**

It is essential to plug the connecting cable for the programming unit into the PCB before switching on the power. Otherwise, the programming unit will not function.



D0000073642

- ▶ Hook the appliance cover into the appliance back panel at the top rear. Pivot the appliance cover downwards. Check that the appliance cover is securely seated both top and bottom.
- ▶ Secure the appliance cover with the screw.
- ▶ Remove the protective film from the user interface.



D0000063281

- ▶ Switch on the power supply.
- ▶ Ensure that the programming unit is functioning correctly.

**11.3.1 Appliance handover**

- ▶ Explain the appliance function to users and familiarise them with how it works.
- ▶ Make users aware of potential dangers, especially the risk of scalding.
- ▶ Hand over the instructions.

**11.4 Recommissioning**



**Material losses**

To ensure that the bare wire heating system is not damaged following an interruption to the water supply, the appliance must be recommissioned by taking the following steps.

- ▶ Disconnect the appliance from the power supply by removing the fuses/tripping the MCBs.
- ▶ Open the tap for at least one minute until the appliance and its upstream cold water inlet line are free of air.
- ▶ Switch on the power supply again.

**12. Appliance shutdown**

- ▶ Isolate all poles of the appliance from the power supply.
- ▶ Drain the appliance (see chapter "Maintenance / Draining the appliance").

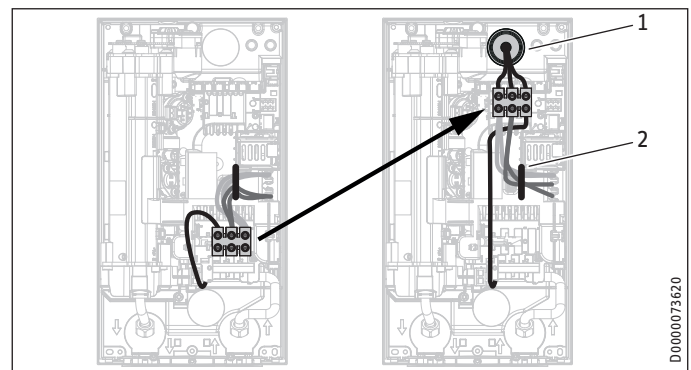
**13. Installation alternatives**



**WARNING Electrocutation**

Before any work on the appliance, disconnect all poles from the power supply.

**13.1 Electrical connection from above on unfinished walls**



D0000073620

- 1 Cable grommet
- 2 Cable routing

- ▶ Break out the required aperture in the back panel for the power cable (for positions, see chapter "Specification / Dimensions and connections"). Deburr any sharp edges with a file.
- ▶ Cut a hole in the cable grommet to fit the selected connecting cable. Fit the cable grommet.
- ▶ Reposition the mains terminal from the bottom to the top. To do so, unclip the mains terminal by pushing it firmly to the left and pulling it forwards. Turn the mains terminal with connecting cables 180° clockwise. Lay the internal wiring under the cable guide. Clip the mains terminal in by pushing it inwards and to the left until it clicks into place.
- ▶ Install the appliance and connect the power cable to the mains terminal as described in chapter "Installation / Standard installation on finished walls".

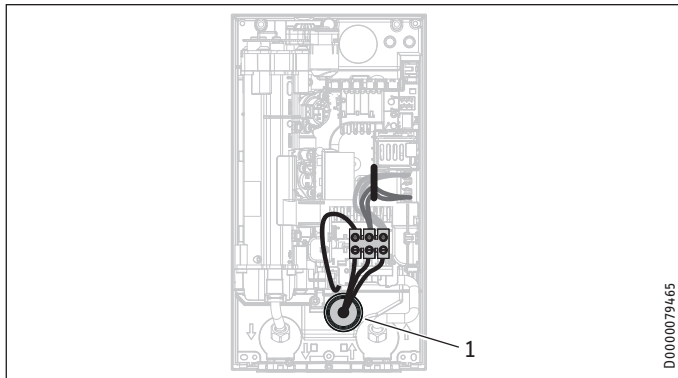


### Note

Disconnecting the mains terminal at the top:

- ▶ Use a screwdriver to disengage the locking tab from the right-hand side.

### 13.2 Electrical connection from below on unfinished walls

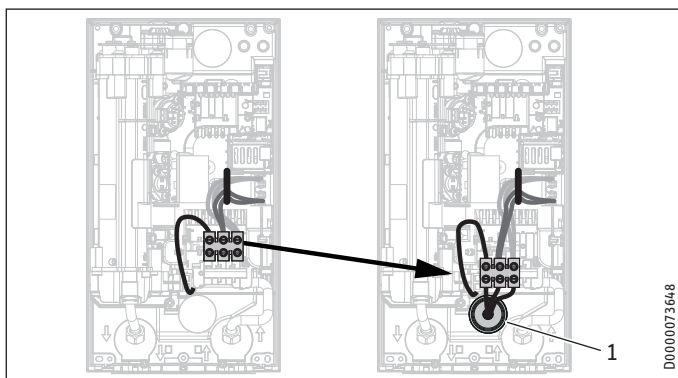


#### 1 Cable grommet

- ▶ Break out the required aperture in the back panel for the power cable (for positions, see chapter "Specification / Dimensions and connections"). Deburr any sharp edges with a file.
- ▶ Cut a hole in the cable grommet to fit the selected connecting cable. Fit the cable grommet.
- ▶ Install the appliance and connect the power cable to the mains terminal as described in chapter "Installation / Standard installation on finished walls".

### 13.3 Electrical connection with short power cable

If the power cable is not quite long enough, you can install the mains terminal in the appliance a little closer to the aperture.



#### 1 Cable grommet

- ▶ Reposition the mains terminal from the top to the bottom. To do so, unclip the mains terminal by pushing it firmly to the left and pulling it forwards. Clip the mains terminal in at the bottom by pushing it inwards and to the left until it clicks into place.

### 13.4 Electrical connection from the side on finished walls

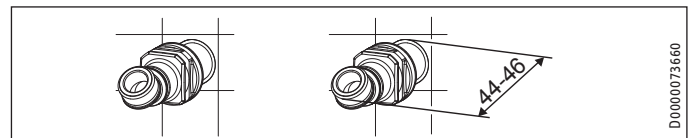
- ▶ Cut and break out the required aperture in the appliance back panel and appliance cover for the power cable (for positions, see chapter "Specification / Dimensions and connections"). Deburr any sharp edges with a file.
- ▶ Install the appliance and connect the power cable to the mains terminal as described in chapter "Installation / Standard installation on finished walls".

### 13.5 Water installation on unfinished walls

You will need the appropriate accessories to carry out the installation. The installation kit for water installation on unfinished walls contains:

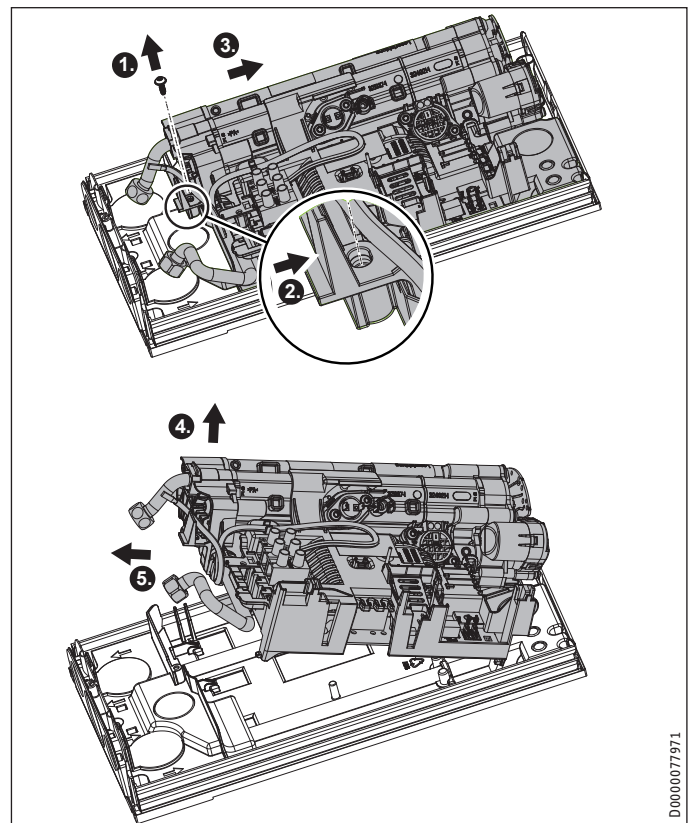
- 2 x grommets to seal the apertures in the appliance back panel.
- Strainer with sealed edge for installation on the 45° twin nipple.
- Flat gasket

#### Preparation



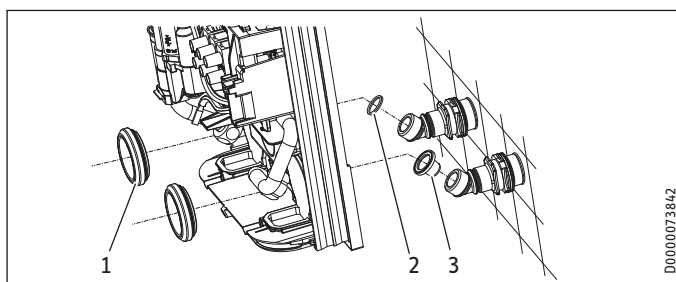
- ▶ Insert and seal the 45° twin nipples.

To break out the apertures in the appliance back panel, you will need to remove the function module from the back panel.



- ▶ Undo the screw and disengage the locking tab.
- ▶ Push the function module on the back panel gently backwards.
- ▶ Remove the function module from the appliance back panel by pulling it slightly forwards and lifting it off.
- ▶ Push/break out the required apertures for the water connections in the back panel from behind (for positions, see chapter "Specification / Dimensions and connections"). Deburr any sharp edges with a file.
- ▶ Fit the function module on the appliance back panel in reverse order until it clicks into place.
- ▶ Secure the function module with the screw.

### Installing the appliance



- 1 Grommets
- 2 Flat gasket
- 3 Strainer with sealed edge

- ▶ Mark out the 2 drilling positions in the upper section of the appliance back panel with reference to the appliance back panel.
- ▶ Fit the grommets in the appliance back panel from the front.
- ▶ Drill the holes and secure the appliance using suitable fixing materials (screws and rawl plugs are not part of the standard delivery): Countersunk screw,  $\varnothing$  4.5 mm, max. diameter of screw-head 9 mm.



#### Note

- ▶ Install the appliance flush to the wall. If necessary, additionally secure the appliance at the 2 lower attachment points. To do this, push/break out the lower slots (175 mm apart) in the appliance back panel (for positions, see chapter "Specification / Dimensions and connections").

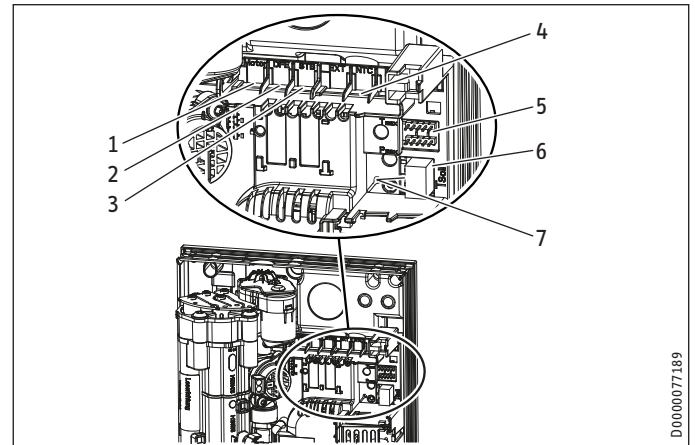
- ▶ Remove the transport protection plugs from the water connection pipes.
- ▶ Secure the DHW connection pipe with a flat gasket and the cold water inlet line with the sealed-edge strainer (from the accessories) to the twin nipples.

### 13.6 Operation with preheated water

You can limit the maximum inlet temperature by installing a central thermostatic valve.

## 14. Service information

### Connection overview / component overview



- 1 Motorised valve
- 2 Flow meter
- 3 High limit safety cut-out, automatic reset
- 4 NTC sensor
- 5 Pin strips for connected load and anti-scalding protection
- 6 Programming unit plug-in position
- 7 Diagnostic traffic lights



# INSTALLATION

## Troubleshooting

### 15. Troubleshooting



**WARNING Electrocutation**  
To test the appliance, it must be connected to the power supply.



**Note**  
When testing the appliance using the diagnostic traffic lights, water must be flowing.

#### Signals of the diagnostic traffic lights (LED)

●○○	Red	Lights up in the event of a fault
○●○	Yellow	Lights up in heating mode/ flashes when output limit reached
○○●	Green	Flashing: Appliance connected to power supply

Diagnostic traffic lights (draw-off mode)	Fault	Cause	Remedy
No LED illuminates	Appliance does not heat up	One or more power supply phases are missing PCB faulty	Check the fuses in the distribution board Replace the function module
Green flashing, yellow off, red off	No DHW	Appliance starting flow rate not reached; shower head/aerator scaled up Appliance starting flow rate not reached; strainer in cold water inlet dirty Flow meter not plugged in Flow meter faulty or dirty PCB faulty	Descale/replace the shower head/aerator Cleaning the strainer Check plug-in connection; correct if necessary Replace flow meter Replace the function module
Green flashing, yellow on, red off	No display	Loose connecting cable between PCB and programming unit Faulty connecting cable between PCB and programming unit Programming unit faulty PCB faulty	Check plug-in connections; correct if necessary Check connecting cable; replace if necessary Replace programming unit Replace the function module
Green flashing, yellow on, red off	No DHW; outlet temperature does not match set value	Tap faulty Programming unit connected to the PCB after switching on the power supply Outlet sensor faulty Heating system faulty PCB faulty	Replace tap Switch the fuses in the distribution board off and back on again Replace outlet sensor Replace the function module Replace the function module
Green flashes, yellow flashes, red off	No DHW; outlet temperature does not match set value	Control limit of the motorised valve reached Faulty motorised valve	Reduce the set temperature Replacing the motorised valve
Green flashing, yellow off, red on	No DHW; outlet temperature does not match set value	Air detection has responded	Continue draw-off for >1 min

#### 15.1 Fault code display

If there is an appliance fault, the spanner flashes on the display.

- ▶ To call up the fault code display, press the "i" button for more than 5 seconds.

Diagnostic traffic lights (draw-off mode)	Display shown	Fault	Cause	Remedy
Green flashing, yellow off, red on	Spanner flashes (fault code display E1 and spanner)	No DHW; outlet temperature does not match set value	Safety switch not activated during "Commissioning" Safety switch was triggered by high limit safety cut-out Safety switch responds again after high limit safety cut-out has been checked; high limit safety cut-out faulty Safety switch responds again; PCB faulty	Activate the safety switch by firmly pressing the reset button Check high limit safety cut-out (plug-in connection, connecting cable); activate safety switch Replace high limit safety cut-out; activate safety switch and draw-off with maximum set value >1 min Replace the function module
Green flashing, yellow off, red on	Spanner flashes (fault code display E2 and spanner)	No DHW	PCB faulty (lead break or short circuit in inlet sensor)	Replace the function module
Green flashing, yellow off, red on	Spanner flashes (fault code display E3 and spanner)	No DHW	Short circuit in outlet sensor	Check outlet sensor; replace if necessary

## 16. Maintenance



### WARNING Electrocutation

Before any work on the appliance, disconnect all poles from the power supply. This appliance contains capacitors which are discharged when disconnected from the power supply. The capacitor discharge voltage may briefly exceed 60 V DC.

### 16.1 Draining the appliance

The appliance can be drained for maintenance work.



### WARNING Burns

Hot water may escape when you drain the appliance.

- ▶ Close the shut-off valve in the cold water inlet line.
- ▶ Open all draw-off valves.
- ▶ Undo the water connections on the appliance.
- ▶ Store the dismantled appliance free from the risk of frost, as water residues remaining inside the appliance can freeze and cause damage.

### 16.2 Cleaning the strainer



### WARNING Burns

Hot water may escape when you drain the appliance.



### Material losses

To ensure that the bare wire heating system is not damaged following an interruption to the water supply, the appliance must be recommissioned by taking the following steps.

- ▶ Disconnect the appliance from the power supply by removing the fuses/tripping the MCBs.
- ▶ Open the tap for at least one minute until the appliance and its upstream cold water inlet line are free of air.
- ▶ Switch on the power supply again.

The strainer in the cold water threaded fitting must be cleaned regularly.

#### 16.2.1 Cleaning the strainer, standard installation on finished walls

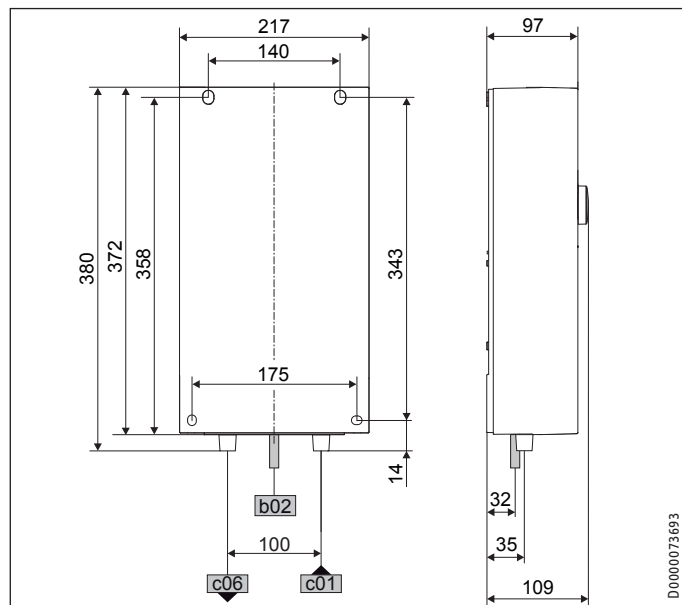
- ▶ Isolate the appliance from the power supply.
- ▶ Close the shut-off valve in the cold water inlet line.
- ▶ Open all draw-off valves.
- ▶ Remove the cold water threaded fitting.
- ▶ Remove the strainer from the twin nipple using a flat-blade screwdriver. Clean the strainer.
- ▶ Reinsert the strainer. Screw the cold water connection pipe onto the twin nipple.
- ▶ Open the shut-off valve in the cold water inlet line.
- ▶ Open and close all connected draw-off valves several times, until all air has been purged from the pipework and the appliance.
- ▶ Switch on the power supply.

#### 16.2.2 Cleaning the strainer, installation on unfinished walls

- ▶ Isolate the appliance from the power supply.
- ▶ Close the shut-off valve in the cold water inlet line.
- ▶ Open all draw-off valves.
- ▶ Open the appliance by undoing the screw and lifting up the appliance cover.
- ▶ Unscrew the cold water connection pipe from the twin nipple. Pivot the cold water connection pipe upwards.
- ▶ Remove the strainer from the twin nipple. Clean the strainer.
- ▶ Screw the cold water connection pipe and the strainer with sealed edge onto the twin nipple.
- ▶ Open the shut-off valve in the cold water inlet line.
- ▶ Open and close all connected draw-off valves several times, until all air has been purged from the pipework and the appliance.
- ▶ Check the cold water connection for leaks.
- ▶ Hook the appliance cover into the appliance back panel at the top rear. Pivot the appliance cover downwards. Check that the appliance cover is securely seated both top and bottom. Secure the appliance cover with the screw.
- ▶ Switch on the power supply.

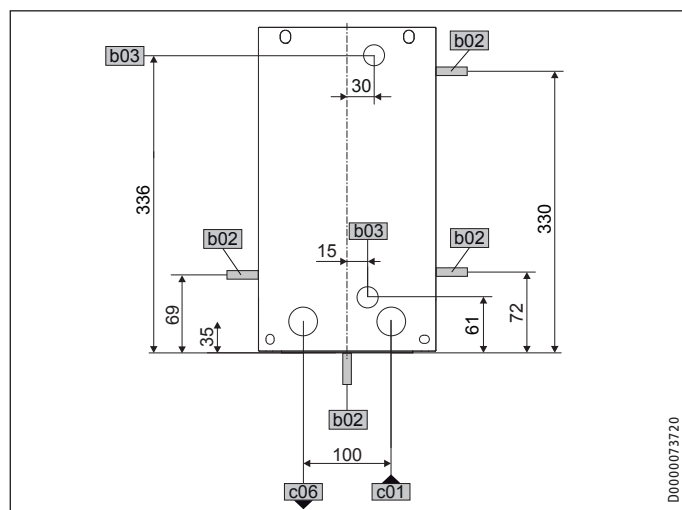
## 17. Specification

### 17.1 Dimensions and connections



		DCE-X Premium
b02	Entry electrical cables I	Finished walls
c01	Cold water inlet	Male thread G 1/2 A
c06	DHW outlet	Male thread G 1/2 A

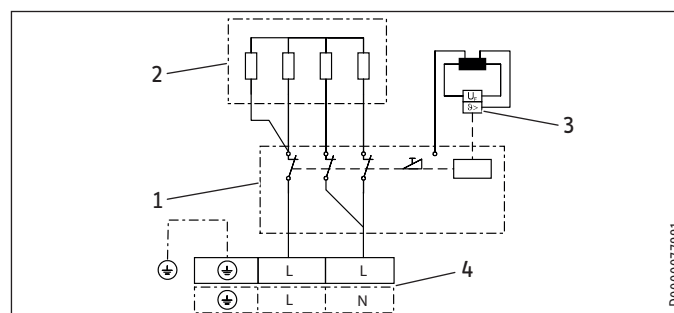
### Alternative connection options



		DCE-X Premium
b02	Entry electrical cables I	Finished walls
b03	Entry electrical cables II	Unfinished walls
c01	Cold water inlet	Male thread G 1/2 A
c06	DHW outlet	Male thread G 1/2 A

### 17.2 Wiring diagram

DCE-X Premium	
Ⓛ Ⓛ Ⓛ	2/GRD ~ 220 - 240 V
Ⓛ Ⓛ N	1/N/PE ~ 220 - 240 V



- 1 Power PCB with integral safety switch
- 2 Bare wire heating system
- 3 High limit safety cut-out
- 4 Mains terminal

### 17.3 DHW output

The DHW output is subject to the connected power supply, the appliance's connected load and the cold water inlet temperature. The rated voltage and rated output can be found on the type plate.

Connected load in kW		38 °C DHW output in L/min				
Rated voltage		Cold water inlet temperature				
220 V	230 V	240 V	5 °C	10 °C	15 °C	20 °C

DCE-X 6/8 Premium						
6.0			2.6	3.1	3.7	4.8
8.0			3.5	4.1	5.0	6.3
	6.6		2.9	3.4	4.1	5.2
	8.7		3.8	4.4	5.4	6.9
		7.2	3.1	3.7	4.5	5.7
		9.6	4.2	4.9	6.0	7.6

DCE-X 10/12 Premium						
10.0			4.3	5.1	6.2	7.9
12.0			5.2	6.1	7.5	9.5
	11.0		4.8	5.6	6.8	8.7
	13.1		5.7	6.7	8.1	10.4
		12.0	5.2	6.1	7.5	9.5
		14.3	6.2	7.3	8.9	11.3

Connected load in kW		50 °C DHW output in L/min				
Rated voltage		Cold water inlet temperature				
220 V	230 V	240 V	5 °C	10 °C	15 °C	20 °C

DCE-X 6/8 Premium						
6.0			1.9	2.1	2.4	2.9
8.0			2.5	2.9	3.3	3.8
	6.6		2.1	2.4	2.7	3.1
	8.7		2.8	3.1	3.6	4.1
		7.2	2.3	2.6	2.9	3.4
		9.6	3.0	3.4	3.9	4.6

DCE-X 10/12 Premium						
10.0			3.2	3.6	4.1	4.8
12.0			3.8	4.3	4.9	5.7
	11.0		3.5	3.9	4.5	5.2
	13.1		4.2	4.7	5.3	6.2
		12.0	3.8	4.3	4.9	5.7
		14.3	4.5	5.1	5.8	6.8



# INSTALLATION

## Specification

### 17.4 Application areas / conversion table

Electrical resistivity and electrical conductivity.

Standard specification at 15 °C			20 °C			25 °C		
Resistivity $\rho \geq$	Conductivity $\sigma \leq$		Resistivity $\rho \geq$	Conductivity $\sigma \leq$		Resistivity $\rho \geq$	Conductivity $\sigma \leq$	
$\Omega\text{cm}$	mS/m	$\mu\text{S/cm}$	$\Omega\text{cm}$	mS/m	$\mu\text{S/cm}$	$\Omega\text{cm}$	mS/m	$\mu\text{S/cm}$
1100	91	910	970	103	1031	895	112	1117

### 17.5 Pressure drop

#### Fittings

Tap pressure drop at a flow rate of 10 l/min		
Mono lever mixer tap, approx.	MPa	0.04 - 0.08
Thermostatic valve, approx.	MPa	0.03 - 0.05
Shower head, approx.	MPa	0.03 - 0.15

#### Sizing the pipework

When calculating the size of the pipework, an appliance pressure drop of 0.1 MPa is recommended.

### 17.6 Fault conditions

In the event of a fault, loads up to 80 °C at a pressure of 1.0 MPa can occur briefly in the installation.

### 17.7 Energy consumption data

Product datasheet: Conventional water heaters to regulation (EU) no. 812/2013 | 814/2013

		DCE-X 6/8 Premium	DCE-X 10/12 Premium
		238158	238159
Manufacturer		STIEBEL ELTRON	STIEBEL ELTRON
Load profile		XS	XS
Energy efficiency class		A	A
Energy conversion efficiency	%	39	39
Annual power consumption	kWh	472	473
Default temperature setting	°C	60	60
Sound power level	dB(A)	15	15
Special information on measuring efficiency		Measured at ECO level with highest flow rate, maximum output and maximum set value.	Measured at ECO level with highest flow rate, maximum output and maximum set value.
Daily power consumption	kWh	2.161	2.167

## 17.8 Data table

		DCE-X 6/8 Premium			DCE-X 10/12 Premium		
		238158			238159		
<b>Electrical data</b>							
Rated voltage	V	220	230	240	220	230	240
Rated output	kW	6.0/8.0	6.6/8.7	7.2/9.6	10.0/12.0	11.0/13.1	12.0/14.3
Rated current	A	27.3/36.4	28.5/38.0	30.0/40.0	45.5/54.5	47.8/57.0	50.0/59.5
Fuse protection	A	30/40			50/60		
Frequency	Hz	50/60			50/60		
Phases		1/N/PE			1/N/PE		
Resistivity $\rho_{15} \geq$	$\Omega$ cm	1100			1100		
Conductivity $\sigma_{15} \leq$	$\mu$ S/cm	910			910		
Max. mains impedance at 50 Hz	$\Omega$	0.0385	0.0368	0.0353	0.0257	0.0245	0.0235
<b>Connections</b>							
Water connection		G 1/2 A			G 1/2 A		
<b>Application limits</b>							
Max. permissible pressure	MPa	1			1		
Max. inlet temperature for reheating	$^{\circ}$ C	55			55		
Temperature setting range	$^{\circ}$ C	Off, 20-60			Off, 20-60		
<b>Values</b>							
Max. inlet temperature (e.g. pasteurisation)	$^{\circ}$ C	70			70		
On	l/min	1.3			1.3		
Flow rate at 28 K	l/min	3.1/4.1 @ 220 V			5.1/6.2 @ 220 V		
Flow rate at 50 K	l/min	1.7/2.3 @ 220 V			2.9/3.5 @ 220 V		
Pressure drop for flow rate at 50 K (without flow limiter)	MPa	0.01/0.01			0.02/0.03		
<b>Hydraulic data</b>							
Nominal capacity	l	0.277			0.277		
<b>Versions</b>							
Type of installation		Oversink / undersink			Oversink / undersink		
Adjustable connected load		X			X		
Protection class		1			1		
Insulating block		Plastic			Plastic		
Heating system heat generator		Bare wire			Bare wire		
Cover and back panel		Plastic			Plastic		
Colour		White			White		
IP rating		IP 25			IP 25		
<b>Dimensions</b>							
Height	mm	372			372		
Width	mm	217			217		
Depth	mm	109			109		
<b>Weights</b>							
Weight	kg	2.5			2.5		



### Note

The appliance conforms to IEC 61000-3-12.

## Guarantee

The guarantee conditions of our German companies do not apply to appliances acquired outside of Germany. In countries where our subsidiaries sell our products a guarantee can only be issued by those subsidiaries. Such guarantee is only granted if the subsidiary has issued its own terms of guarantee. No other guarantee will be granted.

We shall not provide any guarantee for appliances acquired in countries where we have no subsidiary to sell our products. This will not affect warranties issued by any importers.

## Environment and recycling

We would ask you to help protect the environment. After use, dispose of the various materials in accordance with national regulations.

## REMARQUES PARTICULIÈRES

### UTILISATION

<b>1. Remarques générales</b>	<b>23</b>
1.1 Consignes de sécurité	23
1.2 Autres pictogrammes utilisés dans cette documentation	23
1.3 Unités de mesure	23
<b>2. Sécurité</b>	<b>23</b>
2.1 Utilisation conforme	23
2.2 Consignes de sécurité générales	23
2.3 Label de conformité	24
<b>3. Description de l'appareil</b>	<b>24</b>
<b>4. Réglages et affichages</b>	<b>24</b>
4.1 Console	24
4.2 Symboles à l'écran	25
4.3 Réglage de la température de consigne	25
4.4 Limitation de température par protection interne contre l'ébouillantage (installateur)	25
4.5 Limitation de température Tmax (utilisateur)	25
4.6 Affecter une température aux touches de mémorisation	25
4.7 Indication de la température d'arrivée	25
4.8 Menu Infos	25
4.9 Réglages du menu Paramètres	26
4.10 Réglages recommandés	27
<b>5. Nettoyage, entretien et maintenance</b>	<b>27</b>
<b>6. Dépannage</b>	<b>28</b>

### INSTALLATION

<b>7. Sécurité</b>	<b>28</b>
7.1 Consignes de sécurité générales	28
7.2 Mode douche	28
7.3 Prescriptions, normes et réglementations	28
<b>8. Description de l'appareil</b>	<b>29</b>
8.1 Fourniture	29
8.2 Accessoires	29
<b>9. Travaux préparatoires</b>	<b>29</b>
9.1 Lieu d'installation	29
9.2 Distances minimales	29
9.3 Installation hydraulique	29
<b>10. Montage</b>	<b>30</b>
10.1 Montage normal en saillie	30
<b>11. Mise en service</b>	<b>31</b>
11.1 Protection interne contre l'ébouillantage par mise en place de cavalier	31
11.2 Modification du réglage de puissance raccordée par déplacement du cavalier	31
11.3 Première mise en service	32
11.4 Remise en service	32
<b>12. Mise hors service</b>	<b>32</b>
<b>13. Variantes de pose</b>	<b>32</b>
13.1 Raccordement électrique par le haut en installation encastrée	32
13.2 Raccordement électrique encastré par le bas	33

13.3 Raccordement électrique en cas de câble d'alimentation court	33
13.4 Raccordement électrique en saillie sur le côté	33
13.5 Installation hydraulique encastrée	33
13.6 Fonctionnement avec de l'eau préchauffée	34
<b>14. Informations Service</b>	<b>34</b>
<b>15. Dépannage</b>	<b>35</b>
15.1 Affichage du code défaut	36
<b>16. Maintenance</b>	<b>36</b>
16.1 Vidange de l'appareil	36
16.2 Nettoyer le filtre	36
<b>17. Données techniques</b>	<b>37</b>
17.1 Cotes et raccords	37
17.2 Schéma électrique	37
17.3 Capacité de production d'eau chaude	38
17.4 Domaines d'utilisation / Tableau de conversion	38
17.5 Pertes de charge	38
17.6 Dysfonctionnements	38
17.7 Indications relatives à la consommation énergétique	38
17.8 Tableau de données	39

### GARANTIE

### PROTECTION DE L'ENVIRONNEMENT ET RECYCLAGE

# REMARQUES PARTICULIÈRES

- L'appareil peut être utilisé par des enfants de 3 ans et plus ainsi que par des personnes aux facultés physiques, sensorielles ou mentales réduites ou par des personnes sans expérience, s'ils sont accompagnés ou s'ils ont appris à l'utiliser en toute sécurité, et s'ils ont compris les dangers encourus. Ne laissez pas les enfants jouer avec l'appareil. Ne confiez pas le nettoyage ni les opérations de maintenance réservées aux utilisateurs à des enfants sans surveillance.
- En fonctionnement, la température de la robinetterie peut atteindre 70 °C. Danger de brûlures à des températures de sortie supérieures à 43 °C.
- Cet appareil convient à l'alimentation d'une douche (en mode douche). Si l'appareil est utilisé partiellement ou exclusivement pour la douche, l'installateur doit régler la plage de réglage de la température sur 55 °C maximum par le biais de la protection contre l'ébullition interne. Dans le cas d'une arrivée d'eau préchauffée, il faut s'assurer que sa température ne peut pas dépasser 55 °C.
- L'appareil doit pouvoir être mis hors tension par un dispositif de coupure omnipolaire ayant une ouverture minimale des contacts de 3 mm.
- La tension indiquée doit correspondre à la tension d'alimentation.
- L'appareil doit être raccordé au conducteur de mise à la terre.
- L'appareil doit être raccordé en permanence à un câblage fixe.
- Fixez l'appareil comme indiqué dans le chapitre « Installation / Montage ».
- Tenez compte de la pression maximale admissible (voir le chapitre « Installation / Données techniques / Tableau de données »).
- La résistance hydraulique spécifique du réseau de distribution d'eau doit être atteinte (voir le chapitre « Installation / Données techniques / Tableau de données »).
- Vidangez l'appareil comme indiqué au chapitre « Installation / Maintenance / Vidange de l'appareil ».

# UTILISATION

## 1. Remarques générales

Les chapitres « Remarques particulières » et « Utilisation » s'adressent aux utilisateurs et aux installateurs.

Le chapitre « Installation » s'adresse aux installateurs.



### Remarque

Lisez attentivement cette notice avant l'utilisation et conservez-la soigneusement. Le cas échéant, remettez cette notice à tout nouvel utilisateur.

### 1.1 Consignes de sécurité

#### 1.1.1 Présentation des consignes de sécurité



**MENTION D'AVERTISSEMENT Nature du danger**  
Sont indiqués ici les risques éventuellement encourus en cas de non-respect de la consigne de sécurité.  
► Indique les mesures permettant de prévenir le danger.

#### 1.1.2 Symboles, nature du danger

Symbole	Nature du danger
	Blessure
	Électrocution
	Brûlure (brûlure, ébullition)

#### 1.1.3 Mentions d'avertissement

MENTION D'AVERTISSEMENT	Signification
DANGER	Caractérise des consignes dont le non-respect entraîne de graves lésions, voire la mort.
AVERTISSEMENT	Caractérise des consignes dont le non-respect peut entraîner de graves lésions, voire la mort.
ATTENTION	Caractérise des consignes dont le non-respect peut entraîner des lésions légères ou moyennement graves.

### 1.2 Autres pictogrammes utilisés dans cette documentation



### Remarque

Le symbole ci-contre correspond aux consignes générales.  
► Lisez attentivement les consignes.

Symbole	Signification
	Dommmages matériels (dommmages touchant à l'appareil, dommmages indirects et pollution de l'environnement)
	Recyclage de l'appareil

► Ce symbole indique que vous devez prendre des mesures. Les actions requises sont décrites étape par étape.

### 1.3 Unités de mesure



### Remarque

Sauf indication contraire, toutes les cotes sont indiquées dans l'unité des millimètres.

## 2. Sécurité

### 2.1 Utilisation conforme

L'appareil sert au chauffage de l'eau sanitaire ou au chauffage d'appoint d'une eau préchauffée. L'appareil peut alimenter un ou plusieurs points de soutirage.

Lorsque la température d'arrivée d'eau maximale pour le chauffage d'appoint est dépassée, ce dernier n'est pas effectué.

L'appareil est conçu pour une utilisation domestique. Il peut être utilisé sans risque par des personnes qui ne disposent pas de connaissances techniques particulières. L'appareil peut également être utilisé dans un environnement non domestique, par exemple dans de petites entreprises, à condition que son utilisation soit du même ordre.

Tout autre emploi est considéré comme non conforme. Une utilisation conforme de l'appareil implique également le respect de cette notice et de celles des accessoires utilisés.

### 2.2 Consignes de sécurité générales



#### ATTENTION Brûlure

En fonctionnement, la température de la robinetterie peut atteindre 70 °C. Danger de brûlures à des températures de sortie supérieures à 43 °C.



#### ATTENTION Brûlure

Mettez en place une limitation de température si des enfants ou des personnes atteintes d'un handicap physique, sensoriel ou mental sont amenés à utiliser l'appareil. Vérifiez le bon fonctionnement de la limitation de température réglée. Si une limitation de température permanente et invariable est nécessaire, faites régler la protection contre l'ébullition interne par l'installateur.

## Description de l'appareil

**ATTENTION Brûlure**

Tenez compte de la remarque suivante en cas de fonctionnement avec de l'eau préchauffée (installation solaire par ex.) :

La température ECS peut dépasser la température de consigne ou une limitation de température prédéfinies.

- Dans ce cas, limitez la température à l'aide d'une robinetterie thermostatique centrale installée en amont.

**AVERTISSEMENT Blessure**

L'appareil peut être utilisé par des enfants de 3 ans et plus ainsi que par des personnes aux facultés physiques, sensorielles ou mentales réduites ou par des personnes sans expérience, s'ils sont accompagnés ou s'ils ont appris à l'utiliser en toute sécurité, et s'ils ont compris les dangers encourus. Ne laissez pas les enfants jouer avec l'appareil. Ne confiez pas le nettoyage ni les opérations de maintenance réservées aux utilisateurs à des enfants sans surveillance.

**Dommages matériels**

L'appareil et la robinetterie doivent être protégés du gel par l'utilisateur.

**Remarque**

Pour garantir l'indice de protection IP 25, il faut utiliser des vis à tête fraisée pour fixer l'appareil au mur.

**2.3 Label de conformité**

Voir la plaque signalétique sur l'appareil.

**3. Description de l'appareil**

L'appareil se met en marche dès que vous ouvrez le robinet d'eau chaude. Lorsque vous fermez le robinet, l'appareil s'éteint automatiquement.

L'appareil chauffe l'eau pendant qu'elle circule dans l'appareil. La température de consigne est réglable. À partir d'un certain débit, la puissance de chauffe nécessaire est régulée en fonction de la température prédéfinie et de la température de l'arrivée d'eau froide.

Le chauffe-eau instantané compact à régulation entièrement électronique et adaptation automatique de la puissance permet de maintenir la température de sortie constante. Grâce à la régulation électronique avec vanne motorisée, l'eau est chauffée à la température souhaitée au degré près, quelle que soit la température d'arrivée d'eau.

Si l'appareil est alimenté en eau préchauffée et que la température d'arrivée de celle-ci dépasse la valeur prédéfinie, la température d'arrivée s'affiche et clignote sur la deuxième ligne d'affichage. L'eau ne sera pas réchauffée.

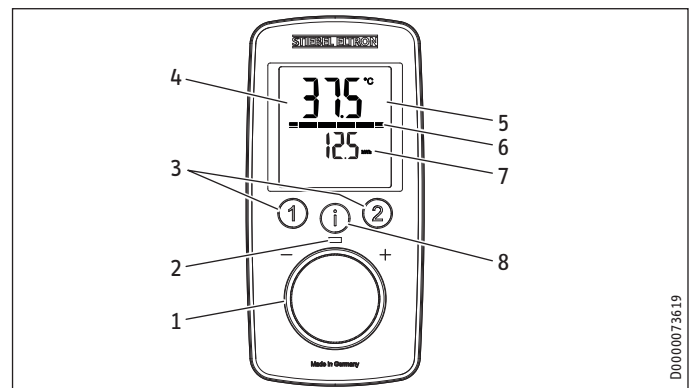
Vous pouvez mettre en mémoire différentes températures de consigne pour un accès ultérieur rapide. Quand la fonction ECO est activée, la vanne motorisée intégrée limite le débit sur 3 niveaux prédéfinis. L'appareil possède des possibilités de réglage pour la limitation de température (fonction Tmax, utilisateur) et la protection interne contre l'ébouillantage (installateur). Le rétro-éclairage s'allume automatiquement dès que de l'eau circule dans l'appareil ou que vous effectuez une modification sur la console. Il s'éteint automatiquement en l'absence de manipulation sur la console et à la fin du soutirage.

**Système de chauffe**

Le système de chauffe à fil nu est enveloppé dans une gaine plastique résistant à la pression. Peu sujet à l'entartrage, ce système de chauffe avec serpentin en acier inoxydable convient indifféremment à l'eau faiblement et fortement calcaire. Ce système de chauffe permet une alimentation en eau chaude sanitaire rapide et efficace.

**Remarque**

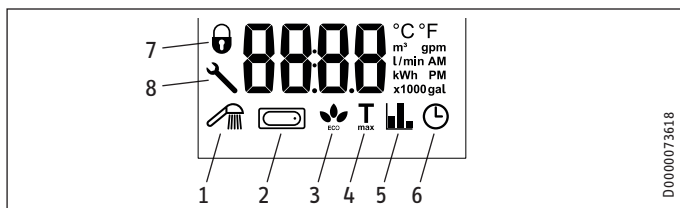
L'appareil est équipé d'un détecteur d'air qui prévient en grande partie l'endommagement du système de chauffe. Si de l'air pénètre dans l'appareil quand il fonctionne, la puissance de chauffe est désactivée pendant une minute de manière à protéger le système de chauffe.

**4. Réglages et affichages****4.1 Console**

- 1 Bouton de réglage
- 2 LED de service (clignote lorsque la limite de puissance est atteinte)
- 3 Touches de mémorisation de température
- 4 Affichage avec rétro-éclairage
- 5 Affichage principal | Affichage d'infos | Affichage des paramètres
- 6 Afficheur à segments [10 - 100 %]
- 7 Deuxième ligne d'affichage
- 8 Touche « i » pour la consultation d'informations et la sélection du menu

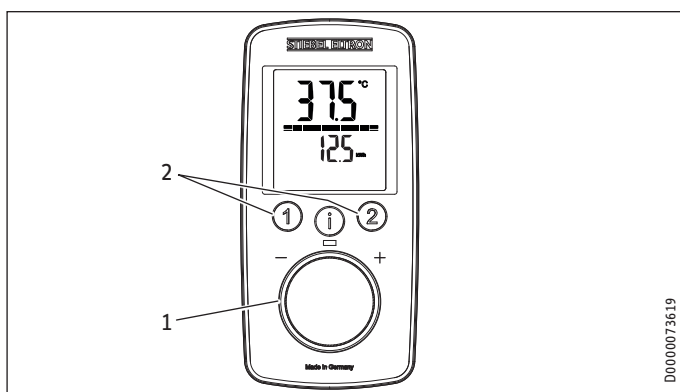
### 4.2 Symboles à l'écran

Les symboles s'affichent à l'écran pour indiquer l'activation.



- 1 Douches bien-être
- 2 Débit automatique
- 3 Affichage ECO
- 4 Tmax, affichage lorsque la limitation de température est activée
- 5 Indicateur d'usure
- 6 Heure
- 7 Verrouillage des commandes [activé / désactivé]
- 8 La clé s'affiche lorsque l'appareil présente un défaut

### 4.3 Réglage de la température de consigne



- 1 Réglage de la température de consigne : OFF, 20 - 60 °C
- 2 Consultation/saisie des températures souhaitées

Configuration			
Réglage	Incrément	Réglage	Incrément
De 20 °C à 60 °C	0,5 °C	De 68 °F à 140 °F	1 °F

### 4.4 Limitation de température par protection interne contre l'ébullition (installateur)

Si l'utilisateur le désire, l'installateur peut régler une limitation de température permanente, par exemple dans les maternelles, les hôpitaux, etc.

Pour l'alimentation d'une douche, l'installateur doit limiter la plage de réglage de température dans l'appareil à 55 °C ou une valeur inférieure.

Quand la fonction de protection contre l'ébullition est activée, « Tmax » clignote lorsque la valeur de température paramétrée est atteinte.

### 4.5 Limitation de température Tmax (utilisateur)

Vous pouvez personnaliser la limitation de température. Lorsque la limitation de température est activée, « Tmax » s'affiche à l'écran.

#### Activer/désactiver la limitation de température Tmax

Voir le chapitre « Réglages du menu Paramètres ».

### 4.6 Affecter une température aux touches de mémorisation

Une température au choix peut être affectée aux touches de mémorisation « 1 » et « 2 ».

- Choisissez une température.
- Pour mettre en mémoire la température souhaitée, appuyez pendant plus de 3 secondes sur la touche « 1 » ou « 2 ». Un clignotement confirme la température sélectionnée.

### 4.7 Indication de la température d'arrivée

Si l'appareil est alimenté avec de l'eau préchauffée et que la température d'arrivée de celle-ci dépasse la valeur de consigne prédéfinie, la température d'arrivée s'affiche et clignote sur la deuxième ligne d'affichage. L'eau ne sera pas réchauffée.

### 4.8 Menu Infos

L'appareil possède un affichage auxiliaire où peuvent être affichées les valeurs de consommation.

#### 4.8.1 Ouvrir le menu Infos

- Appuyez brièvement sur la touche « i » jusqu'à ce que « i 1 » apparaisse, puis appuyez une nouvelle fois sur la touche « i ».
- Quittez l'option de menu par une pression de plus de 5 secondes sur la touche « i ». Autre solution : 30 secondes après la fin du réglage, l'option de menu se désactive automatiquement.

Menu	Description	Explications	Affichage   Écran
I 1	Débit	Affichage du débit actuel.	Valeur de débit en l/min ou gpm
I 2	Heure	Affichage de l'heure actuelle.	Heure
I 3	Consommation énergétique	La quantité d'énergie consommée s'affiche.	Valeur en kWh
I 4	Consommation d'eau	La quantité d'eau consommée s'affiche.	Valeur en m³ ou gal

**Remarque**  
Les valeurs de consommation sont calculées à partir de la dernière réinitialisation.


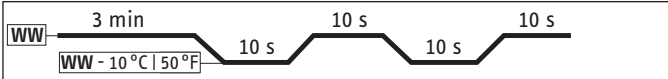

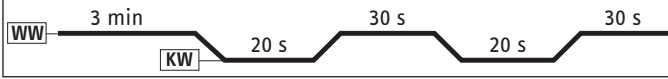


4.9 Réglages du menu Paramètres

4.9.1 Activer le menu Paramètres

- ▶ Appuyez sur la touche « i » pendant plus de 5 secondes jusqu'à ce que « P 1 » apparaisse, continuez en appuyant brièvement sur la touche « i ».
- ▶ Dans le menu de paramètres sélectionné, tournez le bouton de réglage de température pour le positionner sur l'affichage ou le réglage souhaité.

4.9.2 Menu Paramètres

Menu	Description	Affichage   Réglage à sélectionner	Explications	Symbole   Affichage
P 1	Fonction ECO d'économie d'eau et d'énergie	OFF   ECO1   ECO2   ECO3	La fonction ECO permet de limiter le débit volumique sur une valeur maximale. Limitation des débits : 6 l/min avec « ECO1 »   5 l/min avec « ECO2 »   4 l/min avec « ECO3 »   pas de limitation du débit avec « OFF ».	
P 2	Limitation de température Tmax	OFF   20,0   20,5 ... °C ou 68   69 ... °F	La limitation de température permet à l'utilisateur de limiter sur une valeur maximale la température de consigne réglée sur l'appareil. Contrôlez que la limite supérieure de température a bien été acceptée. En outre, l'installateur peut paramétrer une température de protection anti-ébullition. Cette température est alors la limite supérieure de la plage de réglage allouée à la limitation de température.	
P 3	Douches bien-être	OFF   Pro1   Pro2   Pro3   Pro4	Le programme de douche bien-être vous propose 4 choix de douche bien-être. WW = eau chaude sanitaire, KW = eau froide, min = minutes, s = secondes - 1 Prévention des refroidissements Pour fortifier l'organisme, nous recommandons de terminer par une douche froide ; le corps réagit par un réflexe de réchauffement.  - 2 Rafraîchissement hivernal Pour terminer une douche hivernale tout en fraîcheur suivie d'une douche chaude.  - 3 Programme fitness d'été Douche alternant rapidement entre le chaud et le froid, bénéfique pour la santé, se terminant par une douche chaude.  - 4 Programme circulation sanguine Douchez bras et jambes à l'eau froide pour stimuler la circulation sanguine. Durant ce programme, les jets se déplacent depuis les mains et les pieds en direction du reste du corps. Vous pouvez ensuite recommencer cette opération avec de l'eau chaude. 	
P 4	Régulation automatique de la quantité d'eau, régler le volume dans l'unité sélectionnée	OFF   5   10   ... 200   ou 2 ... 52 gal	La régulation automatique de la quantité permet de présélectionner la quantité d'eau, par ex. pour remplir une baignoire. Une fois la quantité d'eau présélectionnée atteinte, la régulation automatique réduit automatiquement le débit. La régulation automatique de la quantité d'eau doit être activée avant chaque remplissage de la baignoire. Exemple pour une baignoire d'une contenance de 80 litres (21 gal) : une fois les 80 litres (21 gal) atteints, la régulation automatique réduit le débit à 4 l/min (1 gpm).	
P 5	Unité de température	C   F	Sélectionner l'unité de température pour tous les réglages.	°C   °F
P 6	Unité de volume	L   GAL	Sélectionner l'unité de volume pour tous les réglages.	l   gal
P 7	Format de l'heure	24h   12h	Sélectionner le format de l'heure.	



Menu	Description	Affichage   Réglage à sélectionner	Explications	Symbole   Affichage
P 8	Réglage de l'heure	--:--	Vous pouvez régler l'heure au format 12 heures ou 24 heures : - 12 heures de 00h00 à 11h59 = AM   11h59 à 00h00 = PM - 24 heures de 00h00 à 23h59 Après une panne de courant, vous devez à nouveau régler l'heure.	AM   PM (format 12h uniquement)
P 9	Verrouillage des commandes	On   OFF	Vous pouvez activer (« On ») ou désactiver (« OFF ») le verrouillage des touches. Pour désactiver le verrouillage activé : ▶ appuyez sur la touche « i » pendant plus de 12 secondes.	🔒 (uniquement si On)
P 10	Restaurer les réglages d'usine	Reset (rSEt)	Vous pouvez rétablir la configuration usine sur l'appareil. L'indication « rSEt » s'affiche. ▶ Appuyez simultanément sur les touches « 1 » et « 2 » pendant plus de 5 secondes. L'affichage passe sur « On » pour confirmer la réinitialisation. ▶ Pour valider « On », appuyez sur la touche « i » pendant plus de 5 secondes.	
P 11	Réinitialiser les valeurs de consommation	Reset (rSEt   📊)	Vous pouvez réinitialiser les valeurs de consommation. L'indication « rSEt » s'affiche. ▶ Appuyez simultanément sur les touches « 1 » et « 2 » pendant plus de 5 secondes. L'affichage passe sur « On » pour confirmer la réinitialisation. ▶ Pour valider « On », appuyez sur la touche « i » pendant plus de 5 secondes.	
P 12	Rétro-éclairage	Auto   On	Vous pouvez régler le rétro-éclairage de l'écran. - Lorsque « Auto » est sélectionné, le rétro-éclairage s'allume pour le mode de chauffage et à chaque utilisation. Il s'éteint au bout de 30 secondes en l'absence de manipulation. - Sur « On », le rétro-éclairage reste allumé en permanence.	
P 13	Diminuer le rétro-éclairage	100 %   20 % (📊)	Vous disposez de 2 niveaux de luminosité du rétro-éclairage.	

### 4.9.3 Désactiver le menu Paramètres

- ▶ Quittez l'option de menu par une pression de plus de 5 secondes sur la touche « i ». Autre solution : 30 secondes après la fin du réglage, l'option de menu se désactive automatiquement.

### 4.10 Réglages recommandés

Votre chauffe-eau instantané assure un maximum de précision et de confort pour la production de l'eau chaude sanitaire. Si vous utilisez quand même l'appareil avec une robinetterie thermostatique, voici quelques recommandations :

- ▶ Sur l'appareil, réglez la température de consigne sur une valeur supérieure à 50 °C. Réglez ensuite la température de consigne souhaitée au niveau de la robinetterie thermostatique.

### Économies d'énergie

Voici les réglages que nous préconisons pour une consommation minimale d'énergie :

- 38 °C pour les lavabos, douches, baignoires
- 55 °C pour les éviers

### Protection interne contre l'ébullition (installateur)

Si l'utilisateur le désire, l'installateur peut régler une limitation de température permanente, par exemple dans les maternelles, les hôpitaux, etc.

### Réglage préconisé en cas d'utilisation d'une robinetterie thermostatique et d'eau préchauffée par une installation solaire

- ▶ Réglez la température sur la valeur maximum sur l'appareil.

### Après une coupure d'eau



#### Domages matériels

Afin d'éviter la destruction du système de chauffe à fil nu après une coupure d'eau, procédez selon les étapes suivantes pour remettre l'appareil en service.

- ▶ Mettez l'appareil hors tension à l'aide du fusible ou du disjoncteur.
- ▶ Ouvrez la robinetterie pendant une minute jusqu'à ce que l'appareil et la conduite d'arrivée d'eau froide en amont soient purgés.
- ▶ Remettez l'appareil sous tension.

## 5. Nettoyage, entretien et maintenance

- ▶ N'utilisez aucun produit de nettoyage abrasif ou corrosif. Un chiffon humide suffit pour le nettoyage et l'entretien de l'appareil.
- ▶ Contrôlez régulièrement les robinetteries. Vous pouvez éliminer le tartre au niveau des becs de robinetterie avec les produits de détartrage du commerce.

## 6. Dépannage

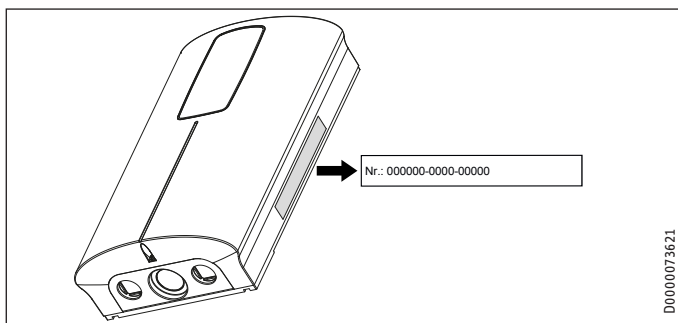
Problème	Cause	Remède
L'appareil ne démarre pas bien que le robinet d'eau chaude soit entièrement ouvert.	L'appareil n'est pas sous tension.  Le mousseur placé dans la robinetterie ou la pomme de douche est entartré ou encrassé.	Contrôlez les disjoncteurs de l'installation domestique.  Nettoyez et/ou détartré le mousseur ou la pomme de douche.
De l'eau froide s'écoule temporairement pendant le soutirage d'eau chaude sanitaire.	L'alimentation en eau est coupée.  Le détecteur d'air détecte de l'air dans l'eau. Il coupe brièvement la puissance de chauffe.	Purgez l'appareil et l'arrivée d'eau froide.  Après 1 minute, l'appareil se remet automatiquement en marche.
La température souhaitée ne peut pas être réglée.	La limitation de température et/ou la protection anti-ébullition interne sont activées.	Désactivez la limitation de température. La protection anti-ébullition interne peut être modifiée uniquement par l'installateur.
Le débit est trop faible.	La fonction ECO est activée.	Réglez une autre allure ECO ou désactivez la fonction ECO.
Impossible d'effectuer des réglages sur l'unité de commande.	Le verrouillage des commandes est activé.	Pour désactiver le verrouillage des touches, appuyez sur la touche « i » pendant plus de 12 secondes.



### Remarque

Les affichages de l'unité de commande et les réglages choisis (à l'exception de l'heure) sont conservés en cas de coupure de l'alimentation électrique.

Appelez votre installateur si vous ne réussissez pas à résoudre le problème. Pour obtenir une aide efficace et rapide, communiquez-lui le numéro indiqué sur la plaque signalétique (000000-0000-000000).



## INSTALLATION

### 7. Sécurité

L'installation, la mise en service, la maintenance et les réparations de cet appareil doivent exclusivement être confiées à un installateur.

#### 7.1 Consignes de sécurité générales

Nous garantissons le bon fonctionnement et la sécurité de fonctionnement de l'appareil uniquement si les accessoires et pièces de rechange utilisés sont d'origine.



#### Dommages matériels

Tenez compte de la température maximale d'arrivée d'eau. L'appareil peut subir des détériorations en cas de températures trop élevées. Vous pouvez limiter la température maximale d'arrivée d'eau en installant une robinetterie thermostatique centralisée.



#### AVERTISSEMENT Électrocution

Cet appareil contient des condensateurs qui se déchargent après la mise hors tension. La tension de décharge des condensateurs peut dépasser temporairement 60 V CC.

#### 7.2 Mode douche



#### ATTENTION Brûlure

► En cas d'alimentation d'une douche, réglez la protection interne contre l'ébullition sur 55 °C ou sur une valeur inférieure, voir chapitre « Mise en service / Préparations ».



#### ATTENTION Brûlure

Tenez compte de la remarque suivante en cas de fonctionnement avec de l'eau préchauffée (installation solaire par ex.) :

La température ECS peut dépasser la température de consigne ou une limitation de température prédéfinies.

► Dans ce cas, limitez la température à l'aide d'une robinetterie thermostatique centrale installée en amont.

#### 7.3 Prescriptions, normes et réglementations



#### Remarque

Respectez toutes les prescriptions et réglementations nationales et locales en vigueur.

- L'indice de protection IP 25 (protégé contre les jets d'eau) n'est garanti que si le passe-câble est correctement monté et que des vis à tête fraisée de Ø 4,5 mm dont le diamètre max. de la tête est de 9 mm sont utilisées.

## Description de l'appareil

- La résistance électrique spécifique de l'eau ne doit pas être inférieure à celle indiquée sur la plaque signalétique. Pour les réseaux hydrauliques interconnectés, tenez compte de la plus faible résistance électrique de l'eau. Votre société distributrice est en mesure de fournir les informations relatives à la résistance électrique spécifique ou à la conductivité électrique de l'eau.

## 8. Description de l'appareil

### 8.1 Fourniture

Sont fournis avec l'appareil :

- 2 manchons doubles 45°
- 2 joints plats
- 2 joints toriques
- Passe-câble
- Filtre
- Cavalier enfiché pour la protection anti-ébullition
- Cavalier enfiché pour la commutation de puissance

### 8.2 Accessoires

#### Kit de montage pour installation hydraulique encastrée

Pour l'installation hydraulique encastrée, les accessoires suivants sont nécessaires :

- 2 douilles pour étanchéifier les ouvertures de la paroi arrière de l'appareil.
- Filtre avec joint périphérique à installer dans le manchon double 45°.
- Joint plat

## 9. Travaux préparatoires

### 9.1 Lieu d'installation



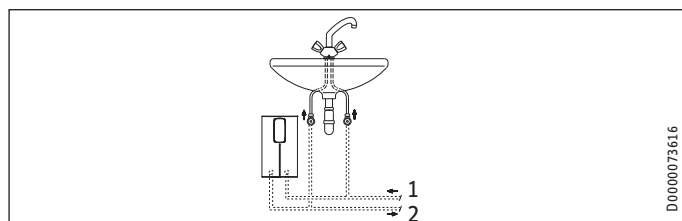
#### Dommages matériels

L'appareil doit impérativement être installé dans un local hors gel.

- Posez l'appareil verticalement à proximité du point de soutirage.

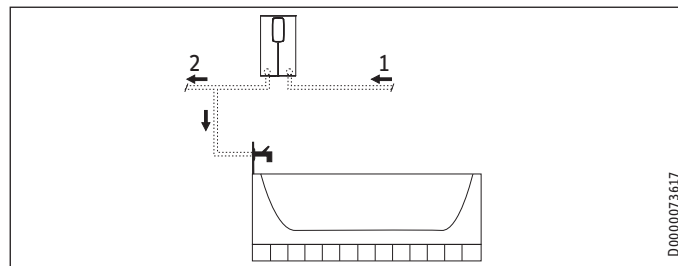
L'appareil convient au montage sous ou sur évier.

#### Montage sous évier



- 1 Arrivée d'eau froide
- 2 Sortie d'eau chaude

#### Montage sur évier



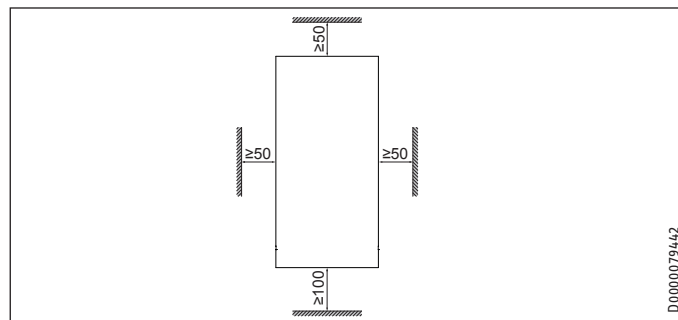
- 1 Arrivée d'eau froide
- 2 Sortie d'eau chaude



#### Remarque

- Montez l'appareil en affleurement avec le mur. Le mur doit être suffisamment porteur.

### 9.2 Distances minimales



- Respectez les distances minimales pour assurer un fonctionnement sans incident et faciliter les travaux de maintenance.

### 9.3 Installation hydraulique



#### Dommages matériels

Exécutez tous les travaux de raccordement et d'installation hydrauliques suivant les prescriptions.

- Rincez soigneusement la conduite d'eau.

#### Robinetteries

Utilisez des robinetteries sous pression adaptées. Les robinetteries à écoulement libre ne sont pas autorisées.

#### Matériaux autorisés pour les conduites d'eau

- Conduite d'alimentation en eau froide :  
Tube en acier galvanisé, en inox, en cuivre ou en matériaux de synthèse
- Conduite de sortie d'eau chaude sanitaire :  
Tube en inox, en cuivre ou en matériaux de synthèse



#### Dommages matériels

Dans le cas d'une installation à tuyaux en matériaux de synthèse, tenez compte de la température et de la pression maximales admissibles de l'arrivée d'eau.

### Débit volumique

- ▶ Assurez-vous que le débit volumique nécessaire à la mise en marche de l'appareil est atteint.
- ▶ Si le débit est insuffisant alors que le robinet de soutirage est entièrement ouvert, augmentez la pression dans la conduite d'eau.

## 10. Montage

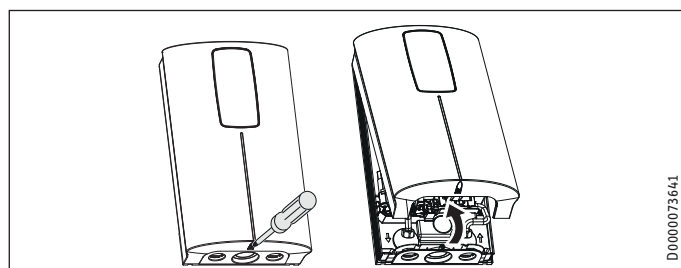
Réglages d'usine	DCE-X 6/8 Premium	DCE-X 10/12 Premium
Protection interne anti-ébullition en °C	60	60
Puissance raccordée en kW	à 220 V	8,0
	à 230 V	8,7
	à 240 V	9,6

Pose standard	DCE-X 6/8 Premium	DCE-X 10/12 Premium
Raccordement électrique en bas, installation en saillie	x	x
Raccordement hydraulique en installation en saillie	x	x

Pour les autres possibilités de pose, voir le chapitre « Variantes de pose ».

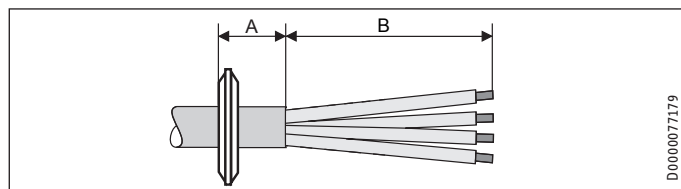
### 10.1 Montage normal en saillie

#### Ouvrir l'appareil



- ▶ Ouvrez l'appareil ; pour ce faire, dévissez la vis et faites pivoter le capot.

#### Préparation du câble d'alimentation

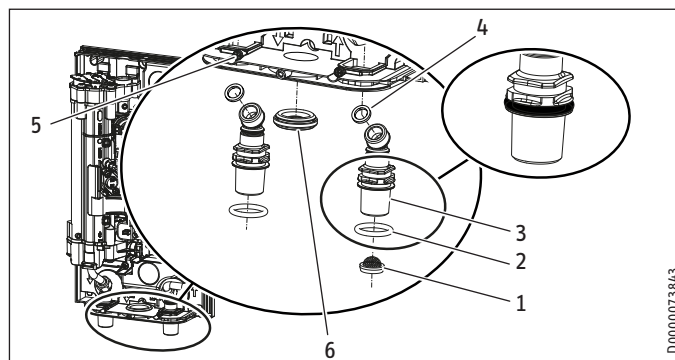


- ▶ Préparez le câble d'alimentation.

Position en saillie	Cote A	Cote B
en bas, au milieu	30	120
en bas, côté gauche de l'appareil	20	90
en bas, côté droit de l'appareil	20	90
en haut, côté droit de l'appareil	20	80

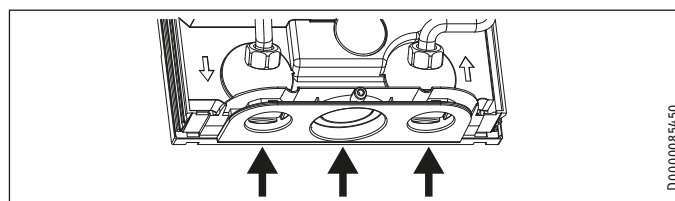
Position encastrée	Cote A	Cote B
en bas	20	90
en haut	20	80

### Travaux préparatoires



- 1 Filtre
- 2 Joints toriques
- 3 Manchons doubles 45°
- 4 Joints plats
- 5 Vis de fixation
- 6 Passe-câble

- ▶ Desserrez les vis de fixation.



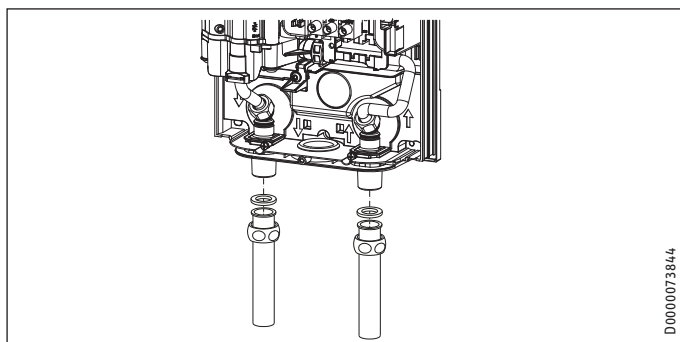
- ▶ Perforez/rompez les traversées nécessaires le long des marques pour faire passer le câble d'alimentation et les manchons doubles par la paroi arrière de l'appareil. Utilisez pour cela un outil plat adapté. Ébarbez les arêtes vives avec une lime.
- ▶ Retirez les capuchons de transport montés sur les conduites de raccordement hydraulique.
- ▶ Pratiquez un trou dans le passe-câble correspondant au câble de raccordement sélectionné. Montez le passe-câble.
- ▶ Montez les joints toriques dans la rainure des manchons doubles.
- ▶ Insérez les manchons doubles dans les ouvertures de la paroi arrière de l'appareil et montez-les avec les joints plats sur les conduites de raccordement de l'appareil (couple de serrage 8 Nm).
- ▶ Fixez les manchons doubles en place à l'aide des vis de fixation.
- ▶ Montez le filtre dans le manchon double du raccordement pour l'eau froide.

#### Pose de l'appareil

- ▶ Sur la paroi arrière de l'appareil, perforez/rompez les trous oblongs inférieurs (écartement de 175 mm) pour fixer l'appareil (pour les positions, voir le chapitre « Données techniques / Cotes et raccordements »). Les deux trous de fixation supérieurs sont déjà ouverts.
- ▶ Repérez les 4 positions de trous en vous aidant de la paroi arrière de l'appareil comme gabarit.
- ▶ Percez les trous, puis fixez l'appareil à l'aide du matériel de fixation adéquat (vis et chevilles non comprises dans la fourniture) : Vis à tête conique Ø 4,5 mm d'un diamètre de tête max. de 9 mm.

# INSTALLATION

## Mise en service



D0000073844

- ▶ Installez une robinetterie sous pression appropriée.
- ▶ Vissez les conduites de raccordement hydraulique de la robinetterie (non fournie) sur les manchons doubles avec les joints plats.
- ▶ Ouvrez le robinet d'arrêt de la conduite d'arrivée d'eau froide.

### Réalisation du raccordement électrique



**AVERTISSEMENT Électrocution**  
Exécutez tous les travaux de raccordement et d'installation électriques conformément aux prescriptions.



**AVERTISSEMENT Électrocution**  
Le raccordement au secteur n'est autorisé que sous forme d'une connexion fixe réalisée en liaison avec le passe-câble amovible. L'appareil doit pouvoir être mis hors tension par un dispositif de coupure omnipolaire ayant une ouverture minimale des contacts de 3 mm.



**AVERTISSEMENT Électrocution**  
Veillez à ce que l'appareil soit relié à la terre.

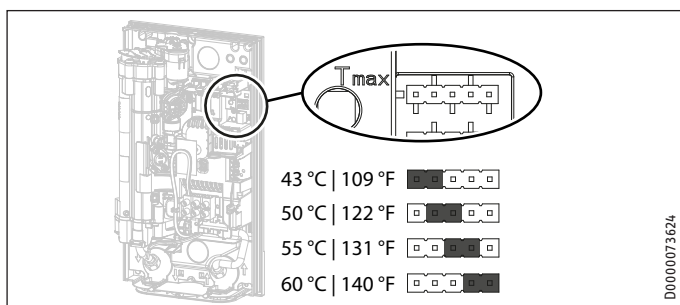


**Dommages matériels**  
Respectez les indications de la plaque signalétique. La tension nominale indiquée doit correspondre à la tension d'alimentation électrique.

- ▶ Insérez le câble d'alimentation dans le passe-câble.
- ▶ Branchez le câble d'alimentation sur le bornier de raccordement au secteur (voir chapitre « Installation / Données techniques / Schéma électrique »).

## 11. Mise en service

### 11.1 Protection interne contre l'ébullition par mise en place de cavalier



D0000073824

43 °C   109 °F	<input type="checkbox"/> <input type="checkbox"/> <input type="checkbox"/> <input type="checkbox"/>
50 °C   122 °F	<input type="checkbox"/> <input checked="" type="checkbox"/> <input type="checkbox"/> <input type="checkbox"/>
55 °C   131 °F	<input type="checkbox"/> <input type="checkbox"/> <input checked="" type="checkbox"/> <input type="checkbox"/>
60 °C   140 °F	<input type="checkbox"/> <input type="checkbox"/> <input type="checkbox"/> <input checked="" type="checkbox"/>

- ▶ Placez le cavalier à la position souhaitée sur la barrette « Tmax ».

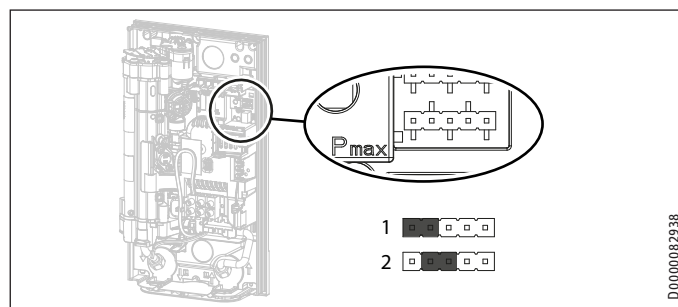
Position cavalier	Description
43 °C   109 °F	par exemple dans les maternelles, les hôpitaux, etc.
50 °C   122 °F	
55 °C   131 °F	max. pour le mode douche
60 °C   140 °F	Réglage d'usine
sans cavalier	Limite 43 °C   109 °F



**ATTENTION Brûlure**  
En cas de fonctionnement avec de l'eau préchauffée (installation solaire par ex.), la protection interne contre l'ébullition et la limitation de température Tmax réglable par l'utilisateur peuvent être dépassées.  
▶ Dans ce cas, limitez la température à l'aide d'une robinetterie thermostatique centrale installée en amont.

### 11.2 Modification du réglage de puissance raccordée par déplacement du cavalier

Si vous sélectionnez pour l'appareil une autre puissance de raccordement que celle réglée en usine, vous devez permuter le cavalier.



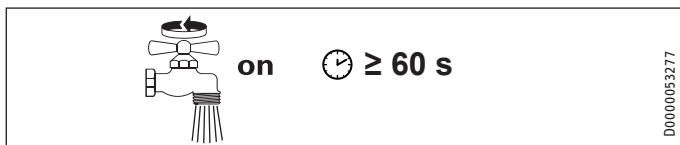
D0000082938

- ▶ Placez le cavalier à la position souhaitée sur la barrette « Pmax ».

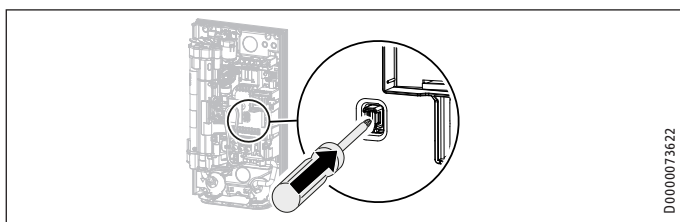
Position cavalier	Puissance de raccordement	DCE-X 6/8 Premium		DCE-X 10/12 Premium	
		à 220 V	à 230 V	à 220 V	à 230 V
1	à 220 V	6,0 kW	10,0 kW	10,0 kW	11,0 kW
	à 230 V	6,6 kW	11,0 kW	11,0 kW	12,0 kW
	à 240 V	7,2 kW	12,0 kW	12,0 kW	13,1 kW
2	à 220 V	8,0 kW	12,0 kW	13,1 kW	14,3 kW
	à 230 V	8,7 kW	13,1 kW	14,3 kW	15,4 kW
	à 240 V	9,6 kW	14,3 kW	15,4 kW	16,5 kW
sans cavalier	à 220 V	6,0 kW	10,0 kW	10,0 kW	11,0 kW
	à 230 V	6,6 kW	11,0 kW	11,0 kW	12,0 kW
	à 240 V	7,2 kW	12,0 kW	12,0 kW	13,1 kW

### 11.3 Première mise en service

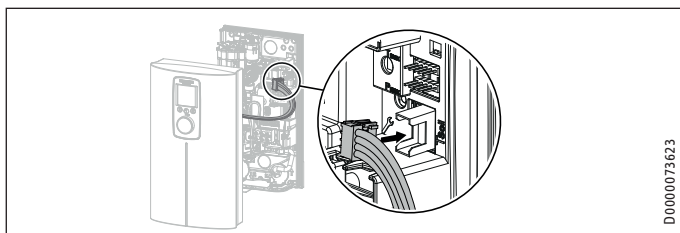
- ▶ Cochez la puissance raccordée choisie sur la plaque signalétique. Utilisez pour cela un stylo à bille.



- ▶ Ouvrez et fermez plusieurs fois tous les robinets de soutirage raccordés jusqu'à ce que la tuyauterie et l'appareil soient purgés.
- ▶ Effectuez un contrôle d'étanchéité.



- ▶ Armez l'interrupteur de sécurité en enfonçant le bouton de réinitialisation à fond (à la livraison, l'interrupteur de sécurité est désactivé).

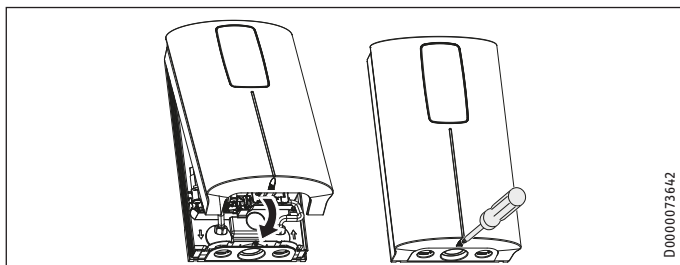


- ▶ Branchez le connecteur du câble de raccordement de l'unité de commande au système électronique.



#### Remarque

Enfichez impérativement le câble de raccordement de l'unité de commande sur la platine électronique avant de mettre sous tension. Sinon, l'unité de commande ne sera pas fonctionnelle.



- ▶ Accrochez le capot de l'appareil à la partie supérieure de la paroi arrière de l'appareil. Basculez le capot vers le bas. Vérifiez que le capot est bien fixé en haut et en bas.
- ▶ Fixez le capot à l'aide de la vis.
- ▶ Retirez le film de protection de la console.



D0000053201

- ▶ Mettez sous tension.
- ▶ Assurez-vous que l'unité de commande fonctionne correctement.

#### 11.3.1 Remise de l'appareil au client

- ▶ Expliquez les différentes fonctions de l'appareil à l'utilisateur, puis familiarisez-le avec son utilisation.
- ▶ Indiquez à l'utilisateur les risques encourus, notamment le danger de brûlures.
- ▶ Remettez-lui la notice.

### 11.4 Remise en service



#### Domages matériels

Afin d'éviter la destruction du système de chauffe à fil nu après une coupure d'eau, procédez selon les étapes suivantes pour remettre l'appareil en service.

- ▶ Mettez l'appareil hors tension à l'aide du fusible ou du disjoncteur.
- ▶ Ouvrez la robinetterie pendant au moins une minute de manière à purger l'appareil et la conduite d'alimentation en eau froide en amont.
- ▶ Remettez l'appareil sous tension.

## 12. Mise hors service

- ▶ Débranchez tous les pôles de l'appareil raccordés au secteur.
- ▶ Vidangez l'appareil (voir le chapitre « Maintenance / Vidange de l'appareil »).

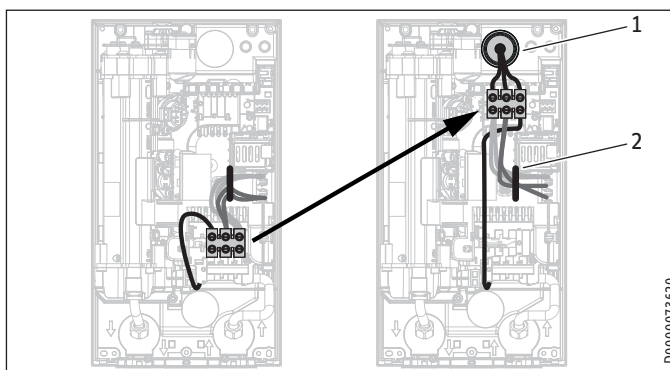
## 13. Variantes de pose



#### AVERTISSEMENT Électrocution

Avant toute intervention, débranchez l'appareil sur tous les pôles.

### 13.1 Raccordement électrique par le haut en installation encastrée



- 1 Passe-câble
- 2 Câblage

D0000073620



- ▶ Dans la paroi arrière, rompez la traversée nécessaire pour le câble d'alimentation (pour les positions, voir le chapitre « Données techniques / Cotes et raccordements »). Ébarbez les arêtes vives avec une lime.
- ▶ Pratiquez un trou dans le passe-câble correspondant au câble de raccordement sélectionné. Montez le passe-câble.
- ▶ Déplacez le bornier de raccordement au secteur du bas vers le haut. Pour ce faire, dégagez le bornier de raccordement au secteur en poussant ce dernier avec force vers la gauche, puis en le sortant par l'avant. Faites pivoter le bornier de l'alimentation avec les câbles sur 180° dans le sens horaire. Réalisez le câblage interne sous le passe-câble. Encliquez le bornier de raccordement au secteur en l'enfonçant, puis en le poussant vers la gauche jusqu'à ce qu'il s'encliquette.
- ▶ Montez l'appareil et raccordez le câble d'alimentation au bornier de raccordement au secteur comme décrit au chapitre « Montage / Montage normal en saillie ».

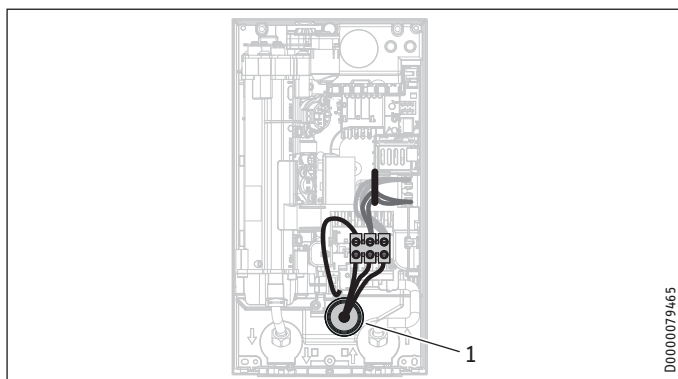


### Remarque

Démontage du bornier de raccordement au secteur supérieur :

- ▶ Débloquez le crochet d'arrêt du côté droit à l'aide d'un tournevis.

### 13.2 Raccordement électrique encastré par le bas

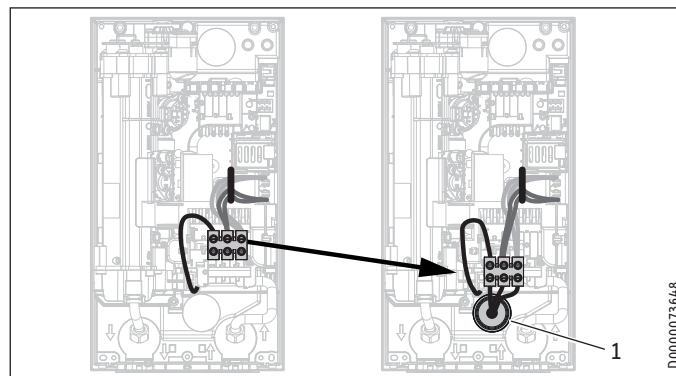


#### 1 Passe-câble

- ▶ Dans la paroi arrière, rompez la traversée nécessaire pour le câble d'alimentation (pour les positions, voir le chapitre « Données techniques / Cotes et raccordements »). Ébarbez les arêtes vives avec une lime.
- ▶ Pratiquez un trou dans le passe-câble correspondant au câble de raccordement sélectionné. Montez le passe-câble.
- ▶ Montez l'appareil et raccordez le câble d'alimentation au bornier de raccordement au secteur comme décrit au chapitre « Montage / Montage normal en saillie ».

### 13.3 Raccordement électrique en cas de câble d'alimentation court

Si le câble d'alimentation est légèrement trop court, vous pouvez rapprocher le bornier de raccordement au secteur de l'ouverture de passage dans l'appareil.



#### 1 Passe-câble

- ▶ Déplacez le bornier de raccordement au secteur du haut vers le bas. Pour ce faire, dégagez le bornier de raccordement au secteur en poussant ce dernier avec force vers la gauche, puis en le sortant par l'avant. Encliquez en bas le bornier de raccordement au secteur en l'enfonçant puis en le poussant vers la gauche jusqu'à ce qu'il s'encliquette.

### 13.4 Raccordement électrique en saillie sur le côté

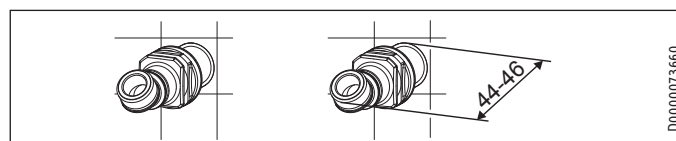
- ▶ Dans la paroi arrière et le capot, sciez et rompez la traversée nécessaire pour le câble d'alimentation (pour les positions, voir le chapitre « Données techniques / Cotes et raccordements »). Ébarbez les arêtes vives avec une lime.
- ▶ Montez l'appareil et raccordez le câble d'alimentation au bornier de raccordement au secteur comme décrit au chapitre « Montage / Montage normal en saillie ».

### 13.5 Installation hydraulique encastrée

Cette installation nécessite des accessoires appropriés. Le kit de montage « Installation hydraulique encastrée » comprend :

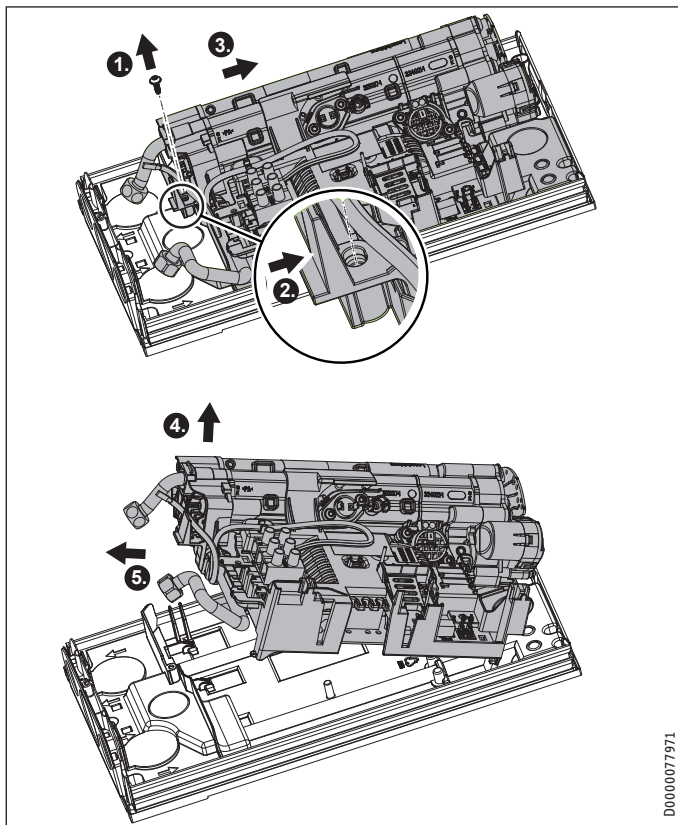
- 2 douilles pour étanchéfier les ouvertures de la paroi arrière de l'appareil.
- Filtre avec joint périphérique à installer dans le manchon double 45°.
- Joint plat

#### Travaux préparatoires



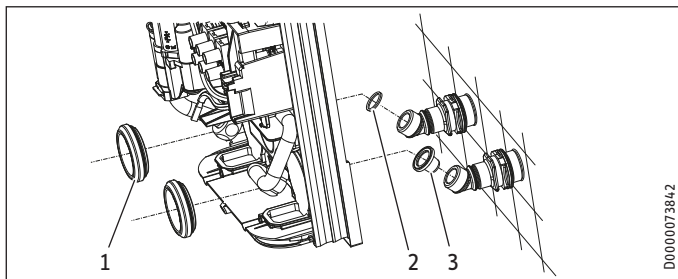
- ▶ Vissez les manchons doubles 45° avec les joints.

Pour perforer les passages dans la paroi arrière de l'appareil, vous devez démonter le sous-groupe fonctionnel de la paroi arrière de l'appareil.



- ▶ Dévissez la vis et déverrouillez le crochet d'arrêt.
- ▶ Poussez légèrement vers l'arrière le module fonctionnel dans la paroi arrière.
- ▶ Soulevez le module fonctionnel pour l'extraire de la paroi arrière en le tirant légèrement vers l'avant.
- ▶ Dans la paroi arrière de l'appareil, percez/rompez les passages nécessaires pour les raccordements hydrauliques (pour les positions, voir le chapitre « Données techniques / Cotes et raccordements »). Ébarbez les arêtes vives avec une lime.
- ▶ Remontez le module fonctionnel dans l'ordre inverse dans la paroi arrière de l'appareil jusqu'à ce qu'il s'encliquette.
- ▶ Fixez le sous-groupe fonctionnel à l'aide de la vis.

### Pose de l'appareil



- 1 Douilles
- 2 Joint plat
- 3 Filtre avec joint périphérique

- ▶ Repérez les 2 positions de trous dans la partie supérieure de la paroi arrière en vous aidant de la paroi arrière de l'appareil comme gabarit.

- ▶ Montez les douilles dans la paroi arrière de l'appareil depuis la face avant.
- ▶ Percez les trous, puis fixez l'appareil à l'aide du matériel de fixation adéquat (vis et chevilles non comprises dans la fourniture) : Vis à tête conique Ø 4,5 mm d'un diamètre de tête max. de 9 mm.

### Remarque

- ▶ Montez l'appareil en affleurement avec le mur. Le cas échéant, fixez l'appareil en plus au niveau des deux points de fixation inférieurs. Sur la paroi arrière de l'appareil, percez/rompez les trous oblongs inférieurs selon un écartement de 175 mm (pour les positions, voir le chapitre « Données techniques / Cotes et raccordements »).

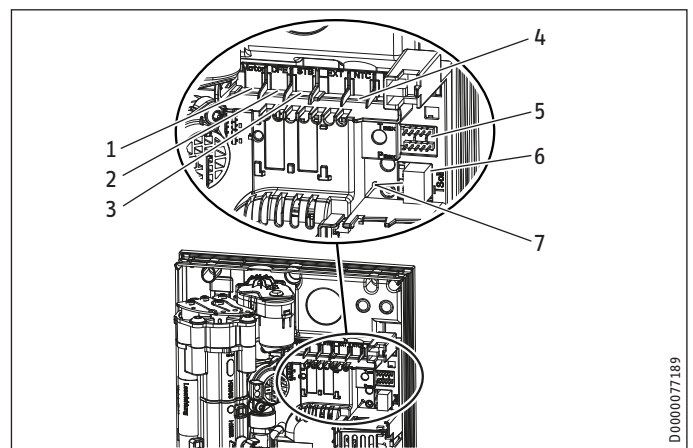
- ▶ Retirez les capuchons de transport montés sur les conduites de raccordement hydraulique.
- ▶ Vissez la conduite de raccordement d'eau chaude avec un joint plat et la conduite d'eau froide avec le filtre à joint périphérique (fourni) sur les manchons doubles.

### 13.6 Fonctionnement avec de l'eau préchauffée

Le montage d'une robinetterie thermostatique centralisée limite la température maximale d'arrivée d'eau.

## 14. Informations Service

### Aperçu des raccordements / des divers éléments



- 1 Vanne motorisée
- 2 Détecteur de débit
- 3 Limiteur de sécurité à réarmement automatique
- 4 Sonde NTC
- 5 Barrettes à broches pour la puissance de raccordement et la protection contre l'ébullition
- 6 Position d'emboîtement unité de commande
- 7 Témoins de diagnostic



### 15. Dépannage



**AVERTISSEMENT Électrocution**  
Pour pouvoir contrôler l'appareil, celui-ci doit être sous tension.



**Remarque**  
Le contrôle de l'appareil à l'aide des témoins de diagnostic doit être effectué quand l'eau s'écoule.

#### Possibilités d'affichage des témoins de diagnostic (DEL)

●○○	rouge	allumé en cas de défaut
○●○	jaune	allumé en mode de chauffage / clignote lorsque la limite de puissance est atteinte
○○●	vert	clignotant : appareil raccordé au secteur

Témoins de diagnostic (mode soutirage)	Défaut	Cause	Remède
Aucune DEL n'est allumée	L'appareil ne chauffe pas	Une ou plusieurs phases de la tension secteur sont absentes Système électronique défectueux	Vérifier les disjoncteurs de l'installation domestique Remplacer le module fonctionnel
Vert clignotant, jaune éteint, rouge éteint	Pas d'eau chaude sanitaire	Le débit d'enclenchement de l'appareil n'est pas atteint, pomme de douche/mousseur entartré(e) Le débit d'enclenchement de l'appareil n'est pas atteint, filtre de l'arrivée d'eau froide encrassé Détecteur de débit pas en place	Détartre/remplacer la pomme de douche/le mousseur Nettoyer le filtre Contrôler et si nécessaire rectifier le raccord enfichable
Vert clignotant, jaune allumé, rouge éteint	Aucun affichage	Détecteur de débit défectueux ou encrassé Système électronique défectueux	Remplacer le détecteur de débit Remplacer le module fonctionnel
Vert clignotant, jaune allumé, rouge éteint	Pas d'eau chaude, la température de sortie ne correspond pas à la valeur de consigne	Câble desserré entre la platine et l'unité de commande Câble défectueux entre la platine et l'unité de commande Unité de commande défectueuse Système électronique défectueux	Contrôler et si nécessaire rectifier les raccords enfichables Contrôler et si nécessaire remplacer le câble de raccordement Remplacer l'unité de commande Remplacer le module fonctionnel
Vert clignotant, jaune allumé, rouge éteint	Pas d'eau chaude, la température de sortie ne correspond pas à la valeur de consigne	Robinetterie défectueuse	Remplacer la robinetterie
Vert clignotant, jaune clignotant, rouge éteint	Pas d'eau chaude, la température de sortie ne correspond pas à la valeur de consigne	Unité de commande connectée à l'électronique après la mise sous tension secteur Sonde de sortie défectueuse Système de chauffage défectueux Système électronique défectueux	Déclencher les disjoncteurs de l'installation domestique et les ré-enclencher Remplacer la sonde de sortie Remplacer le module fonctionnel Remplacer le module fonctionnel
Vert clignotant, jaune éteint, rouge allumé	Pas d'eau chaude, la température de sortie ne correspond pas à la valeur de consigne	Atteinte de la limite de régulation de la vanne motorisée Vanne motorisée défectueuse	Réduire la température prédéfinie Remplacer la vanne motorisée
		Le détecteur d'air s'est déclenché	Continuer le soutirage pendant >1 min

### 15.1 Affichage du code défaut

En cas d'erreur sur l'appareil, la clé plate clignote à l'écran.

- Pour afficher le code défaut, appuyez pendant plus de 5 secondes sur la touche « i ».

Témoins de diagnostic (mode soutirage)	Affichage à l'écran	Défaut	Cause	Remède
Vert clignotant, jaune éteint, rouge allumé	La clé plate clignote (affichage du code d'erreur E1 et clé plate)	Pas d'eau chaude, la température de sortie ne correspond pas à la valeur de consigne	Interrupteur de sécurité pas activé à la première mise en service  L'interrupteur de sécurité a été déclenché par le limiteur de sécurité	Activer l'interrupteur de sécurité ; pour ce faire, appuyer fermement sur la touche de réinitialisation  Contrôler le limiteur de sécurité (raccord enfichable, câble de raccordement), activer l'interrupteur de sécurité
			L'interrupteur de sécurité se déclenche à nouveau après le contrôle du limiteur de sécurité, le limiteur de sécurité est défectueux	Remplacer le limiteur de sécurité et soutirage à la valeur de consigne maximale > 1 min
			L'interrupteur de sécurité se déclenche à nouveau, système électronique défectueux	Remplacer le module fonctionnel
Vert clignotant, jaune éteint, rouge allumé	La clé plate clignote (affichage du code défaut E2 et clé plate)	Pas d'eau chaude sanitaire	Système électronique défectueux (rupture ou court-circuit de la sonde d'arrivée)	Remplacer le module fonctionnel
Vert clignotant, jaune éteint, rouge allumé	La clé plate clignote (affichage du code défaut E3 et clé plate)	Pas d'eau chaude sanitaire	Sonde de sortie en court-circuit	Contrôler et si nécessaire remplacer la sonde de sortie

## 16. Maintenance



### AVERTISSEMENT Électrocution

Avant toute intervention, débranchez l'appareil sur tous les pôles.

Cet appareil contient des condensateurs qui se déchargent après la mise hors tension. La tension de décharge des condensateurs peut dépasser temporairement 60 V CC.

### 16.1 Vidange de l'appareil

Vous pouvez vidanger l'appareil pour les travaux de maintenance.



### AVERTISSEMENT Brûlure

Lors de la vidange de l'appareil, de l'eau brûlante peut s'en échapper.

- Fermez le robinet d'arrêt de l'arrivée d'eau froide.
- Ouvrez tous les robinets de soutirage.
- Desserrez les raccords hydrauliques de l'appareil.
- Veillez à protéger du gel tout appareil déposé, car celui-ci contient encore de l'eau pouvant geler et provoquer des dommages.

### 16.2 Nettoyer le filtre



### AVERTISSEMENT Brûlure

Lors de la vidange de l'appareil, de l'eau brûlante peut s'en échapper.



### Dommages matériels

Afin d'éviter la destruction du système de chauffe à fil nu après une coupure d'eau, procédez selon les étapes suivantes pour remettre l'appareil en service.

- Mettez l'appareil hors tension à l'aide du fusible ou du disjoncteur.
- Ouvrez la robinetterie pendant au moins une minute de manière à purger l'appareil et la conduite d'alimentation en eau froide en amont.
- Remettez l'appareil sous tension.

Le filtre dans le raccord vissé de l'arrivée d'eau froide doit être nettoyé régulièrement.

#### 16.2.1 Nettoyage du filtre, montage standard en saillie

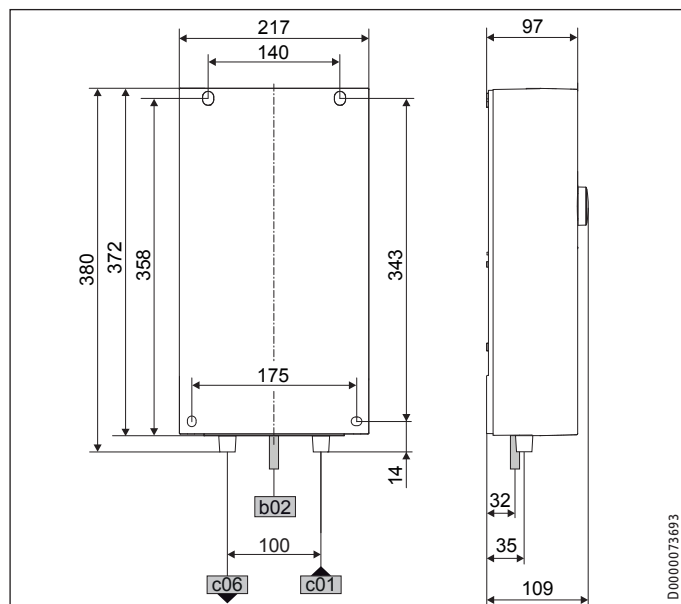
- Mettez l'appareil hors tension.
- Fermez le robinet d'arrêt de l'arrivée d'eau froide.
- Ouvrez tous les robinets de soutirage.
- Démontez le raccord vissé de l'arrivée d'eau froide.
- Retirez le filtre du manchon double à l'aide d'un tournevis plat. Nettoyez le filtre.
- Remettez le filtre en place. Vissez la conduite de raccordement d'eau froide sur le manchon double.
- Ouvrez le robinet d'arrêt de la conduite d'arrivée d'eau froide.
- Ouvrez et fermez plusieurs fois tous les robinets de soutirage raccordés jusqu'à ce que la tuyauterie et l'appareil soient purgés.
- Mettez sous tension.

### 16.2.2 Nettoyage du filtre, installation hydraulique encastrée

- ▶ Mettez l'appareil hors tension.
- ▶ Fermez le robinet d'arrêt de l'arrivée d'eau froide.
- ▶ Ouvrez tous les robinets de soutirage.
- ▶ Ouvrez l'appareil ; pour ce faire, dévissez la vis et faites pivoter le capot.
- ▶ Dévissez la conduite de raccordement d'eau froide du manchon double. Basculez la conduite de raccordement d'eau froide vers le haut.
- ▶ Retirez le filtre du manchon double. Nettoyez le filtre.
- ▶ Vissez la conduite de raccordement d'eau froide sur le manchon double avec le filtre à joint périphérique.
- ▶ Ouvrez le robinet d'arrêt de la conduite d'arrivée d'eau froide.
- ▶ Ouvrez et fermez plusieurs fois tous les robinets de soutirage raccordés jusqu'à ce que la tuyauterie et l'appareil soient purgés.
- ▶ Vérifiez l'étanchéité de la conduite de raccordement d'eau froide.
- ▶ Accrochez le capot de l'appareil à la partie supérieure de la paroi arrière de l'appareil. Basculez le capot vers le bas. Vérifiez que le capot est bien fixé en haut et en bas. Fixez le capot à l'aide de la vis.
- ▶ Mettez sous tension.

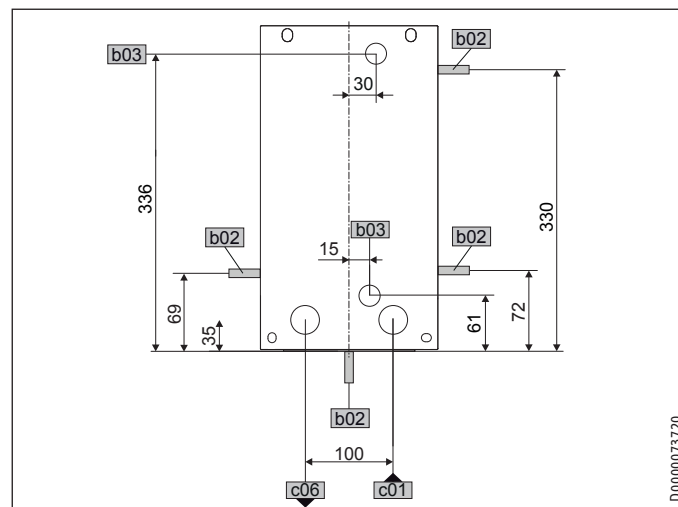
## 17. Données techniques

### 17.1 Cotes et raccordements



		DCE-X Premium
b02	Passage des câbles électriques I	En saillie
c01	Arrivée d'eau froide	Filetage mâle G 1/2 A
c06	Sortie d'eau chaude	Filetage mâle G 1/2 A

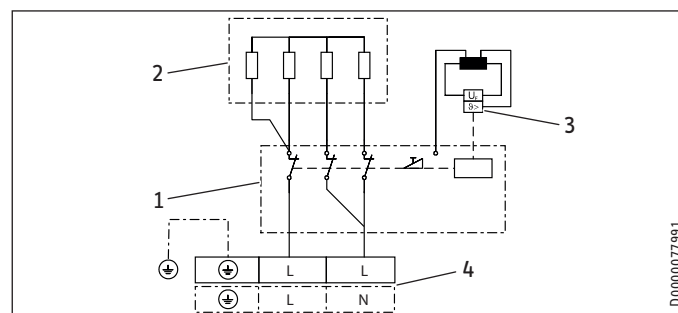
### Autres branchements possibles



		DCE-X Premium
b02	Passage des câbles électriques I	En saillie
b03	Passage des câbles électriques II	Encastré
c01	Arrivée d'eau froide	Filetage mâle G 1/2 A
c06	Sortie d'eau chaude	Filetage mâle G 1/2 A

### 17.2 Schéma électrique

DCE-X Premium	
	2/GRD ~ 220 - 240 V
	1/N/PE ~ 220 - 240 V



- 1 Électronique de puissance à interrupteur de sécurité intégré
- 2 Système de chauffe à fil nu
- 3 Limiteur de sécurité
- 4 Bornier de raccordement au secteur

### 17.3 Capacité de production d'eau chaude

La capacité de production d'eau chaude sanitaire dépend de la tension d'alimentation appliquée, de la puissance raccordée de l'appareil et de la température d'arrivée d'eau froide. La tension nominale et la puissance nominale sont indiquées sur la plaque signalétique.

Puissance raccordée en kW			Capacité de production d'eau chaude sanitaire à 38 °C en l/min.			
Tension nominale			Température d'arrivée d'eau froide			
220 V	230 V	240 V	5 °C	10 °C	15 °C	20 °C
<b>DCE-X 6/8 Premium</b>						
6,0			2,6	3,1	3,7	4,8
8,0			3,5	4,1	5,0	6,3
	6,6		2,9	3,4	4,1	5,2
	8,7		3,8	4,4	5,4	6,9
		7,2	3,1	3,7	4,5	5,7
		9,6	4,2	4,9	6,0	7,6
<b>DCE-X 10/12 Premium</b>						
10,0			4,3	5,1	6,2	7,9
12,0			5,2	6,1	7,5	9,5
	11,0		4,8	5,6	6,8	8,7
	13,1		5,7	6,7	8,1	10,4
		12,0	5,2	6,1	7,5	9,5
		14,3	6,2	7,3	8,9	11,3

Puissance raccordée en kW			Capacité de production d'eau chaude sanitaire à 50 °C en l/min.			
Tension nominale			Température d'arrivée d'eau froide			
220 V	230 V	240 V	5 °C	10 °C	15 °C	20 °C
<b>DCE-X 6/8 Premium</b>						
6,0			1,9	2,1	2,4	2,9
8,0			2,5	2,9	3,3	3,8
	6,6		2,1	2,4	2,7	3,1
	8,7		2,8	3,1	3,6	4,1
		7,2	2,3	2,6	2,9	3,4
		9,6	3,0	3,4	3,9	4,6
<b>DCE-X 10/12 Premium</b>						
10,0			3,2	3,6	4,1	4,8
12,0			3,8	4,3	4,9	5,7
	11,0		3,5	3,9	4,5	5,2
	13,1		4,2	4,7	5,3	6,2
		12,0	3,8	4,3	4,9	5,7
		14,3	4,5	5,1	5,8	6,8

### 17.4 Domaines d'utilisation / Tableau de conversion

Résistance électrique spécifique et conductivité électrique spécifique.

Indication normalisée à 15 °C		20 °C		25 °C	
Résistance $\rho \geq$	Conductivité $\sigma \leq$	Résistance $\rho \geq$	Conductivité $\sigma \leq$	Résistance $\rho \geq$	Conductivité $\sigma \leq$
$\Omega \text{ cm}$	$\text{mS/m}$ $\mu\text{S/cm}$	$\Omega \text{ cm}$	$\text{mS/m}$ $\mu\text{S/cm}$	$\Omega \text{ cm}$	$\text{mS/m}$ $\mu\text{S/cm}$
1100	91 910	970	103 1031	895	112 1117

### 17.5 Pertes de charge

#### Robinetteries

Perte de charge des robinetteries pour un débit de 10 l/min		
Mitigeur mono commande, env.	MPa	0,04 - 0,08
Robinetterie thermostatique, env.	MPa	0,03 - 0,05
Pomme de douche, env.	MPa	0,03 - 0,15

#### Dimensionnement des conduites

La prise en compte d'une perte de pression de 0,1 MPa est recommandée pour le dimensionnement des conduites.

### 17.6 Dysfonctionnements

En cas d'incident, des températures de 80 °C maximum sous une pression de 1,0 MPa peuvent survenir brièvement dans l'installation.

### 17.7 Indications relatives à la consommation énergétique

Fiche produit : générateurs d'eau chaude sanitaire conventionnels selon les directives (UE) n° 812/2013 et 814/2013

	DCE-X 6/8 Premium	DCE-X 10/12 Premium
	238158	238159
Fabricant	STIEBEL ELTRON	STIEBEL ELTRON
Profil de soutirage	XS	XS
Classe d'efficacité énergétique	A	A
Efficacité énergétique	%	39
Consommation annuelle d'électricité	kWh	472
Réglage d'usine de la température	°C	60
Niveau de puissance acoustique	dB(A)	15
Remarques spécifiques pour la mesure d'efficacité	Mesuré en allure ECO au débit le plus fort, puissance maximale et valeur théorique maximale.	Mesuré en allure ECO au débit le plus fort, puissance maximale et valeur théorique maximale.
Consommation journalière d'électricité	kWh	2,161

## Données techniques

### 17.8 Tableau de données

		DCE-X 6/8 Premium			DCE-X 10/12 Premium		
		238158			238159		
<b>Données électriques</b>							
Tension nominale	V	220	230	240	220	230	240
Puissance nominale	kW	6,0/8,0	6,6/8,7	7,2/9,6	10,0/12,0	11,0/13,1	12,0/14,3
Courant nominal	A	27,3/36,4	28,5/38,0	30,0/40,0	45,5/54,5	47,8/57,0	50,0/59,5
Protection (électrique)	A	30/40			50/60		
Fréquence	Hz	50/60			50/60		
Phases		1/N/PE			1/N/PE		
Résistance spécifique $\rho_{15} \geq$	$\Omega$ cm	1100			1100		
Conductivité spécifique $\sigma_{15} \leq$	$\mu S/cm$	910			910		
Impédance de réseau maximale à 50 Hz	$\Omega$	0,0385	0,0368	0,0353	0,0257	0,0245	0,0235
<b>Raccords</b>							
Raccordement hydraulique		G 1/2 A			G 1/2 A		
<b>Limites d'utilisation</b>							
Pression max. admissible	MPa	1			1		
Température maximale d'arrivée d'eau pour chauffage d'appoint	°C	55			55		
Plage de réglage de la température	°C	OFF, 20-60			OFF, 20-60		
<b>Valeurs</b>							
Température max. d'arrivée d'eau (par exemple désinfection thermique)	°C	70			70		
Marche	l/min	1,3			1,3		
Débit à 28 K	l/min	3,1/4,1 à 220 V			5,1/6,2 à 220 V		
Débit à 50 K	l/min	1,7/2,3 à 220 V			2,9/3,5 à 220 V		
Perte de charge pour débit à 50 K (sans limiteur de débit)	MPa	0,01/0,01			0,02/0,03		
<b>Données hydrauliques</b>							
Capacité nominale	l	0,277			0,277		
<b>Versions</b>							
Type de montage		sur/sous évier			sur/sous évier		
Puissance de raccordement au choix		X			X		
Classe de protection		1			1		
Bloc isolant		Matériaux de synthèse			Matériaux de synthèse		
Générateur de chaleur système de chauffage		Fil nu			Fil nu		
Cache et paroi arrière		Matériaux de synthèse			Matériaux de synthèse		
Couleur		Blanc			Blanc		
Indice de protection (IP)		IP 25			IP 25		
<b>Dimensions</b>							
Hauteur	mm	372			372		
Largeur	mm	217			217		
Profondeur	mm	109			109		
<b>Poids</b>							
Poids	kg	2,5			2,5		



#### Remarque

L'appareil est conforme à la norme CEI 61000-3-12.

## Garantie

Les conditions de garantie de nos sociétés allemandes ne s'appliquent pas aux appareils achetés hors d'Allemagne. Au contraire, c'est la filiale chargée de la distribution de nos produits dans le pays qui est seule habilitée à accorder une garantie. Une telle garantie ne pourra cependant être accordée que si la filiale a publié ses propres conditions de garantie. Il ne sera accordé aucune garantie par ailleurs.

Nous n'accordons aucune garantie pour les appareils achetés dans des pays où aucune filiale de notre société ne distribue nos produits. D'éventuelles garanties accordées par l'importateur restent inchangées.

## Environnement et recyclage

Merci de contribuer à la préservation de notre environnement. Après usage, procédez à l'élimination des matériaux conformément à la réglementation nationale.

## INDICACIONES ESPECIALES

### OPERACIÓN

<b>1. Indicaciones generales</b>	<b>42</b>
1.1 Instrucciones de seguridad	42
1.2 Otras marcas presentes en esta documentación	42
1.3 Unidades de medida	42
<b>2. Seguridad</b>	<b>42</b>
2.1 Utilización conforme a las prescripciones	42
2.2 Instrucciones generales de seguridad	42
2.3 Sello de certificación	43
<b>3. Descripción del aparato</b>	<b>43</b>
<b>4. Ajustes y visualizaciones</b>	<b>43</b>
4.1 Consola de mando	43
4.2 Símbolos en la pantalla	44
4.3 Ajustar la temperatura de referencia	44
4.4 Limitación de la temperatura por medio de una protección antiescaldamiento interna (profesional técnico especializado)	44
4.5 Limitación de temperatura Tmax (usuario)	44
4.6 Asignar los botones de memoria de temperatura	44
4.7 Aviso sobre temperatura de entrada	44
4.8 Menú de información	44
4.9 Ajustes del menú de parámetros	45
4.10 Recomendaciones de configuración	46
<b>5. Limpieza, conservación y mantenimiento</b>	<b>46</b>
<b>6. Resolución de problemas</b>	<b>47</b>

### INSTALACIÓN

<b>7. Seguridad</b>	<b>47</b>
7.1 Instrucciones generales de seguridad	47
7.2 Modo de ducha	47
7.3 Reglamentos, normas y disposiciones	47
<b>8. Descripción del aparato</b>	<b>48</b>
8.1 Ámbito de suministro	48
8.2 Accesorios	48
<b>9. Preparación</b>	<b>48</b>
9.1 Lugar de montaje	48
9.2 Distancias mínimas de separación	48
9.3 Instalación de agua	48
<b>10. Montaje</b>	<b>49</b>
10.1 Montaje estándar visto	49
<b>11. Puesta en marcha</b>	<b>50</b>
11.1 Protección antiescaldamiento interna mediante toma de jumper	50
11.2 Cambio de la potencia conectada a través de la toma de jumper	50
11.3 Primera puesta en marcha	51
11.4 Nueva puesta en marcha	51
<b>12. Puesta fuera de servicio</b>	<b>51</b>
<b>13. Alternativas de montaje</b>	<b>52</b>
13.1 Empalme eléctrico oculto en la parte superior	52
13.2 Empalme eléctrico oculto en la parte inferior	52
13.3 Empalme eléctrico con un cable de conexión a la red eléctrica corto	52

13.4 Empalme eléctrico visto lateral	53
13.5 Instalación de agua oculta	53
13.6 Operación con agua precalentada	53
<b>14. Información de servicio</b>	<b>54</b>
<b>15. Reparación de averías</b>	<b>54</b>
15.1 Visualización de un código de error	55
<b>16. Mantenimiento</b>	<b>56</b>
16.1 Vaciado del aparato	56
16.2 Limpiar el filtro	56
<b>17. Especificaciones técnicas</b>	<b>57</b>
17.1 Dimensiones y conexiones	57
17.2 Diagrama eléctrico	57
17.3 Rendimiento de agua caliente	57
17.4 Ámbitos de aplicación / tabla de conversión	58
17.5 Pérdida de presión	58
17.6 Condiciones en caso de avería	58
17.7 Datos sobre el consumo energético	58
17.8 Tabla de especificaciones	59

### GARANTÍA

### MEDIO AMBIENTE Y RECICLAJE

# INDICACIONES ESPECIALES

- Los niños a partir de 3 años y las personas con capacidades físicas, sensoriales o mentales limitadas o con falta de experiencia y conocimientos pueden utilizar el aparato bajo la vigilancia de otra persona o si antes han recibido instrucciones sobre el uso seguro del aparato y han comprendido los peligros que pueden derivarse. Está prohibido que los niños jueguen con el aparato. Los niños no deben realizar las tareas de limpieza y mantenimiento propias del usuario sin vigilancia.
- Los grifos/válvulas pueden alcanzar una temperatura de hasta 70 °C durante la operación. A temperaturas de salida superiores a 43 °C existe peligro de escaldamiento.
- El aparato es apto para el abastecimiento de una ducha (modo de ducha). Si el aparato se usa también o exclusivamente en modo de ducha, el profesional técnico especializado debe configurar a 55 °C o menos el rango de ajuste de temperatura mediante la protección antiescaldamiento interna en el aparato. Si se utiliza agua precalentada, asegúrese de que la temperatura de admisión no supere los 55 °C.
- El aparato debe poder desconectarse omnipolarmente de la red eléctrica mediante una separación de al menos 3 mm.
- La tensión indicada debe coincidir con la fuente de suministro.
- El aparato debe estar conectado al conductor de puesta a tierra.
- El aparato debe estar continuamente conectado a un cableado fijo.
- Fije el aparato tal como se describe en el capítulo "Instalación / Montaje".
- Tenga en cuenta la presión máxima admisible (véase el capítulo "Instalación / Especificaciones técnicas / Tabla de especificaciones").
- La resistencia específica del agua de la red de abastecimiento de agua no debe tener un valor inferior al mínimo (véase el capítulo "Instalación / Especificaciones técnicas / Tabla de especificaciones").
- Vacíe el aparato tal como se describe en el capítulo "Instalación / Mantenimiento / Vaciado del aparato".

## OPERACIÓN

## 1. Indicaciones generales

Los capítulos "Indicaciones especiales" y "Operación" están dirigidos al usuario del aparato y al profesional técnico especializado.

El capítulo "Instalación" está dirigido al profesional técnico especializado.

**Nota**

Lea atentamente estas instrucciones antes del uso y consérvelas en un lugar seguro. Entregue las instrucciones a otros posibles usuarios de este aparato.

## 1.1 Instrucciones de seguridad

## 1.1.1 Estructura de las instrucciones de seguridad



**PALABRA DE ADVERTENCIA Tipo de peligro**  
Mediante este tipo de palabras se explican las posibles consecuencias en caso de desobedecimiento de las instrucciones de seguridad.

► Aquí se proponen las medidas necesarias para evitar el peligro.

## 1.1.2 Símbolos, tipo de peligro

Símbolo	Tipo de peligro
	Lesión
	Electrocución
	Quemaduras (quemaduras, escaldadura)

## 1.1.3 Palabras de advertencia

PALABRA DE ADVERTENCIA	Significado
PELIGRO	Indicaciones cuyo desobedecimiento tiene como consecuencia lesiones graves o la muerte.
ADVERTENCIA	Indicaciones cuyo desobedecimiento puede tener como consecuencia lesiones graves o la muerte.
PRECAUCIÓN	Indicaciones cuyo desobedecimiento puede tener como consecuencia lesiones de gravedad media o baja.

## 1.2 Otras marcas presentes en esta documentación

**Nota**

Las indicaciones generales se señalizan mediante el símbolo adyacente.

► Lea atentamente las indicaciones.

Símbolo	Significado
	Daños materiales (daños en el aparato, indirectos o medioambientales)
	Eliminación del aparato

► Este símbolo le indica que usted tiene que hacer algo. Se describen paso a paso las medidas necesarias.

## 1.3 Unidades de medida

**Nota**

Si no se indica lo contrario, todas las dimensiones están expresadas en milímetros.

## 2. Seguridad

## 2.1 Utilización conforme a las prescripciones

El aparato sirve para calentar agua potable o para recalentar agua ya precalentada. El aparato puede alimentar uno o varios puntos de dispensado.

Cuando se supera la temperatura máxima de admisión para el recalentamiento, no tiene lugar ningún recalentamiento.

El aparato está diseñado para utilizarse en un ámbito doméstico. Las personas no cualificadas pueden utilizarlo de forma segura. Asimismo, el aparato puede utilizarse en ámbitos que no sean domésticos, como en pequeñas empresas, siempre que se utilice del mismo modo.

Cualquier otro uso distinto al indicado en este documento se considera un uso inapropiado. Se considera un uso apropiado el cumplimiento de estas instrucciones, así como de las instrucciones de los accesorios utilizados.

## 2.2 Instrucciones generales de seguridad

**PRECAUCIÓN Quemaduras**

Los grifos/válvulas pueden alcanzar una temperatura de hasta 70 °C durante la operación.

A temperaturas de salida superiores a 43 °C existe peligro de escaldamiento.

**PRECAUCIÓN Quemaduras**

En caso de que niños u otras personas con capacidades físicas, sensoriales o mentales limitadas utilicen el aparato, ajuste una limitación de la temperatura. Compruebe que la limitación de la temperatura ajustada funcione correctamente.

Si se requiere ajustar un límite de temperatura permanente e inalterable, haga que un profesional técnico especializado ajuste la protección antiescaldamiento interna.





**PRECAUCIÓN Quemaduras**

En el modo de funcionamiento con agua precalentada, por ejemplo, cuando utilice un sistema de calefacción solar, observe la siguiente nota:

la temperatura del agua caliente puede exceder la temperatura de referencia ajustada o un límite de temperatura ajustado.

- En tal caso, limite la temperatura con una válvula del termostato central conectada previamente.



**ADVERTENCIA Lesiones**

Los niños a partir de 3 años y las personas con capacidades físicas, sensoriales o mentales limitadas o con falta de experiencia y conocimientos pueden utilizar el aparato bajo la vigilancia de otra persona o si antes han recibido instrucciones sobre el uso seguro del aparato y han comprendido los peligros que pueden derivarse. Está prohibido que los niños jueguen con el aparato. Los niños no deben realizar las tareas de limpieza y mantenimiento propias del usuario sin vigilancia.



**Daños materiales**

El usuario debe proteger el aparato y los grifos/válvulas frente a la formación de escarcha.



**Nota**

Para cumplir con la clase de protección IP 25, se deben utilizar tornillos de cabeza mecanizada para fijar el aparato a la pared.

**2.3 Sello de certificación**

Véase la placa de especificaciones técnicas en el aparato.

**3. Descripción del aparato**

Cuando se abre la válvula de agua caliente en el grifo/válvula, el aparato se enciende automáticamente. Cuando se cierra el grifo/válvula, el aparato se vuelve a desconectar automáticamente.

El aparato calienta el agua mientras esta fluye a través del aparato. Se puede ajustar la temperatura de referencia. A partir de un determinado caudal, la unidad de control enciende la potencia calorífica necesaria en función del ajuste de temperatura y de la temperatura del agua fría.

El calentador instantáneo compacto con regulación totalmente electrónica y adaptación automática de potencia mantiene constante la temperatura de salida. La unidad de control electrónica con válvula motorizada calienta el agua a la temperatura exacta configurada en grados. Esto ocurre con independencia de la temperatura de admisión.

Cuando el aparato se usa con agua precalentada y la temperatura de admisión sobrepasa la temperatura ajustada, la temperatura de entrada se muestra parpadeando en la segunda fila de la pantalla. El agua no se sigue calentando.

Puede guardar diferentes temperaturas de referencia y acceder a las mismas con rapidez. En la función ECO, la válvula motorizada integrada limita el caudal en 3 niveles preestablecidos. El aparato dispone de opciones de configuración para limitar la temperatura (función Tmax, usuario) y de una protección anti-escaldamiento interna (profesional técnico especializado). La retroiluminación se enciende automáticamente en cuanto el agua fluye a través del aparato o se hace un cambio en la consola de mando. La retroiluminación se apaga automáticamente sin tener que accionar la consola de mando y al final de la dispensación.

**Sistema de calefacción**

El sistema de calefacción de cables desnudos está rodeado de una capa de plástico estanca a la presión. El sistema de calefacción con serpentín indirecto interno de acero inoxidable es apto para aguas con poca o mucha cal. Por lo general, es resistente a la calcificación. El sistema de calefacción proporciona un suministro rápido y eficaz de agua caliente.

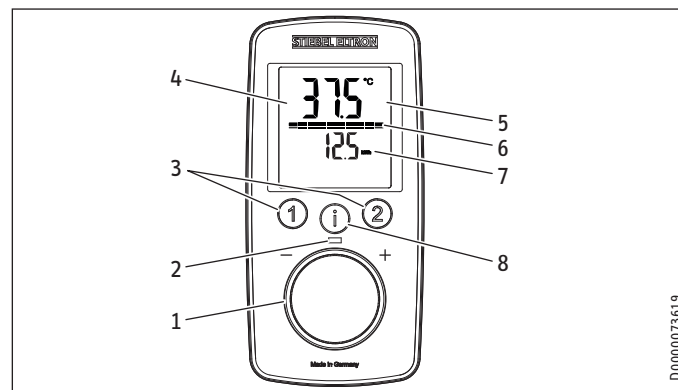


**Nota**

El aparato está equipado con un sistema de detección de aire que evita que se produzcan daños en el sistema de calefacción. Si entra aire en el aparato durante la operación, el aparato desconectará la potencia de calefacción durante un minuto para proteger el sistema de calefacción.

**4. Ajustes y visualizaciones**

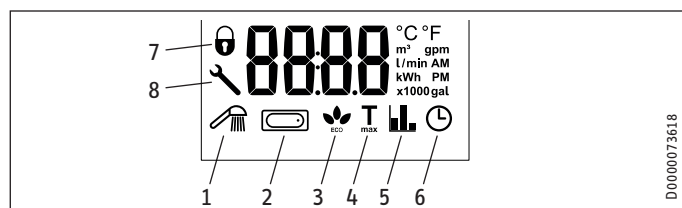
**4.1 Consola de mando**



- 1 Selector
- 2 LED de operación (parpadea al llegar al límite de potencia)
- 3 Botones de memoria de temperatura
- 4 Pantalla con luz de fondo
- 5 Visualización principal | Visualización de información | Visualización de parámetros
- 6 Indicador de segmentos [10 - 100 %]
- 7 Segunda fila de pantalla
- 8 Botón "i" para consulta de información y selección de menú

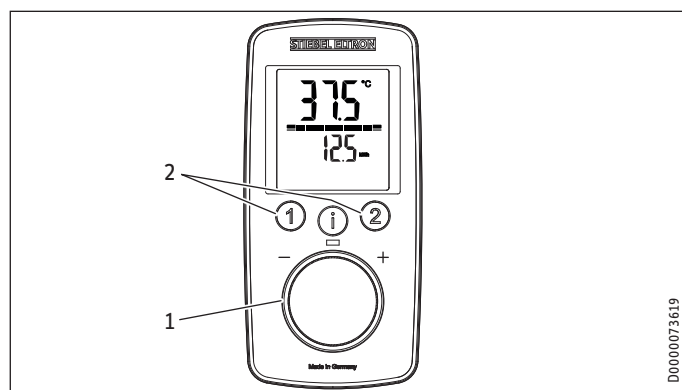
### 4.2 Símbolos en la pantalla

En la activación aparecen los símbolos en la pantalla.



- 1 Duchar bienestar
- 2 Sistema automático de caudal de agua
- 3 Indicación ECO
- 4 Tmax, visualización con límite de temperatura activado
- 5 Indicador de consumo
- 6 Hora
- 7 Bloqueo de seguridad [on/off]
- 8 Llave de tuercas (aparece en caso de un fallo del aparato)

### 4.3 Ajustar la temperatura de referencia



- 1 Ajuste de la temperatura de referencia: OFF, 20 - 60 °C
- 2 Consultar/asignar temperaturas deseadas

Ajustes			
Ajuste	Paso	Ajuste	Paso
De 20 °C a 60 °C	0,5 °C	De 68 °F a 140 °F	1 °F

### 4.4 Limitación de la temperatura por medio de una protección antiescaldamiento interna (profesional técnico especializado)

Si se desea, el profesional técnico especializado puede ajustar un límite permanente de temperatura, p. ej., en guarderías, hospitales, etc.

Cuando se abastece una ducha, el profesional técnico especializado debe limitar el rango de ajuste de temperatura en el aparato a 55 °C o menos.

Si con la función de protección antiescaldamiento activada se llega al valor de temperatura ajustado, "Tmax" parpadea.

### 4.5 Limitación de temperatura Tmax (usuario)

Puede ajustar de forma personalizada el límite de temperatura. Al activar el límite de temperatura, aparece "Tmax" en la pantalla.

#### Activar/desactivar la limitación de temperatura Tmax

Véase el capítulo "Ajustes del menú de parámetros".

### 4.6 Asignar los botones de memoria de temperatura

Los botones de memoria "1" y "2" se pueden asignar a una temperatura deseada.

- ▶ Elija una temperatura deseada.
- ▶ Pulse el botón "1" o "2" durante más de 3 segundos para guardar la temperatura deseada. La temperatura seleccionada se confirma con 1 parpadeo.

### 4.7 Aviso sobre temperatura de entrada

Cuando el aparato se usa con agua precalentada y la temperatura de admisión sobrepasa la temperatura de referencia ajustada, la temperatura de entrada se muestra parpadeando en la segunda fila de la pantalla. El agua no se sigue calentando.

### 4.8 Menú de información

El aparato dispone de una pantalla auxiliar en la que se pueden mostrar los valores de consumo.

#### 4.8.1 Consultar el menú de información

- ▶ Pulse brevemente el botón "i" hasta que aparezca "i 1", luego vuelva a pulsar el botón "i".
- ▶ Salga de la opción de menú pulsando el botón "i" durante más de 5 segundos. Como alternativa: 30 segundos después del final del ajuste, se desconecta la opción de menú de forma automática.

Menú	Descripción	Indicaciones	Visualización   Pantalla
I 1	Caudal	Indicación del caudal actual.	Caudal en l/min o gpm
I 2	Hora	Visualización de la hora actual.	Hora
I 3	Consumo de energía	Se muestra la cantidad de energía consumida.	Valor en kWh
I 4	Consumo de agua	Se muestra la cantidad de agua consumida.	Valor en m³ o gal



#### Nota





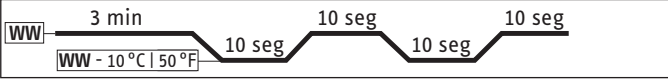
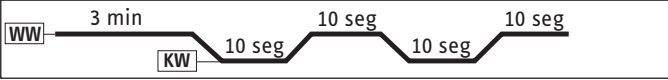



Los valores de consumo se calculan a partir del último restablecimiento.



4.9 Ajustes del menú de parámetros

4.9.1 Activar el menú de parámetros

- ▶ Pulse el botón "i" más de 5 segundos, aparece "P 1", luego pulse brevemente el botón "i".
- ▶ En el menú de parámetros seleccionado, gire el selector de la temperatura a la visualización/ajuste deseado.

4.9.2 Menú de parámetros

Menú	Descripción	Visualización seleccionable   ajuste	Indicaciones	Símbolo   pantalla
P 1	Función de ahorro de agua y energía ECO	OFF   ECO1   ECO2   ECO3	Con la función ECO se puede limitar el caudal a un valor máximo. Límite de caudal: 6 l/min en "ECO1"   5 l/min en "ECO2"   4 l/min en "ECO3"   sin límite de caudal en "OFF".	
P 2	Límite de temperatura Tmax	OFF   20,0   20,5 ... °C o 68   69 ... °F	Con el límite de temperatura, como usuario puede limitar la temperatura de referencia ajustable en el aparato a un valor máximo. Controle si el límite superior de temperatura se adoptó correctamente. El profesional técnico especializado puede, además, ajustar una temperatura de protección antiescaldamiento. De esta forma, dicha temperatura será el límite superior del rango de ajuste para el límite de temperatura.	
P 3	Duchas bienestar	OFF   Pro1   Pro2   Pro3   Pro4	En el programa de ducha bienestar puede seleccionar 4 programas diferentes para duchas alternas. WW = agua caliente, KW = agua fría, min = minutos, seg = segundos - 1 Prevención de enfriamiento Para fortalecer el cuerpo, recomendamos una ducha fría al final; esto inicia un calentamiento reflejo en el cuerpo.	
			 <p>- 2 Fresco invernal Como un refrescante final para una ducha de invierno con recalentamiento.</p>  <p>- 3 Programa de fitness de verano La ducha rápida alternante para aumentar la forma física con el recalentamiento final.</p>  <p>- 4 Programa de circulación sanguínea Para favorecer la circulación sanguínea, lave los brazos y las piernas a una temperatura fría. La ducha debe realizarse desde las manos y los pies hacia el cuerpo. A continuación, puede repetir este proceso con agua tibia.</p> 	
P 4	Control automático de cantidad de agua, ajuste del volumen en la unidad seleccionada	OFF   5   10   ... 200   o 2 ... 52 gal	Con el control automático de la cantidad de agua se puede preseleccionar una cantidad de agua, por ejemplo, para llenar una bañera. Si se alcanza la cantidad de agua preseleccionada, el control automático reduce el caudal. Debe activar el control automático de la cantidad de agua antes de cada llenado de la bañera. Ejemplo: llenado de bañera de 80 litros (21 gal): Después de alcanzar el llenado de la bañera de 80 litros (21 gal), el sistema automático reduce el caudal a 4 l/min (1 gpm).	
P 5	Unidad de temperatura	C   F	Elegir la unidad de temperatura para todos los ajustes.	°C / °F
P 6	Unidad de volumen	L   GAL	Elegir la unidad de volumen para todos los ajustes.	l   gal
P 7	Formato de la hora	24 h   12 h	Seleccionar el formato de la hora.	

Menú	Descripción	Visualización seleccionable   ajuste	Indicaciones	Símbolo   pantalla
P 8	Ajuste de la hora	---:--	Puede ajustar la hora en formato de 12 o 24 horas: - 12 horas, de 00:00 a 11:59 = AM   de 11:59 a 00:00 = PM - 24 horas, de 00:00 - 23:59 Después un corte en el suministro eléctrico, deberá volver a ajustar la hora actual.	AM   PM (solo el en formato de 12 horas)
P 9	Bloqueo de seguridad	ON   OFF	Puede ajustar el bloqueo de seguridad a "ON" u "OFF". Desactivar el bloqueo de seguridad ajustado: ▶ Pulse el botón "i" más de 12 segundos.	🔒 (solo en On)
P10	Restablecimiento de fábrica	Restablecimiento (r5Et)	Puede restablecer el aparato a los ajustes de fábrica. En la pantalla se muestra "rSEt". ▶ Pulse a la vez los botones "1" y "2" más de 5 segundos. La visualización cambia a "On" para confirmar el restablecimiento. ▶ Pulse el botón "i" más de 5 segundos para confirmar el "On".	
P 11	Restablecimiento de los valores de consumo	Restablecimiento (r5Et    )	Aquí puede restablecer los valores de consumo. En la pantalla se muestra "rSEt". ▶ Pulse a la vez los botones "1" y "2" más de 5 segundos. La visualización cambia a "On" para confirmar el restablecimiento. ▶ Pulse el botón "i" más de 5 segundos para confirmar el "On".	
P 12	Retroiluminación	Auto   On	Puede ajustar la retroiluminación de la pantalla. - Si se selecciona "Auto", la retroiluminación se enciende durante el modo calefacción y en cada operación. Tras 30 segundos sin operación, la retroiluminación se vuelve a apagar. - Seleccionando "On" se ilumina de forma permanente la retroiluminación.	
P 13	Atenuar la retroiluminación	100 %   20 % (  )	Puede seleccionar 2 niveles para el brillo de la retroiluminación.	

### 4.9.3 Desactivar el menú de parámetros

- ▶ Salga de la opción de menú pulsando el botón "i" durante más de 5 segundos. Como alternativa: 30 segundos después del final del ajuste, se desconecta la opción de menú de forma automática.

### 4.10 Recomendaciones de configuración

Su calentador instantáneo asegura la máxima precisión y el máximo confort en el suministro de agua caliente. Si a pesar de ello utiliza el aparato con una valvulería del termostato, le recomendamos que:

- ▶ Configure la temperatura de referencia del aparato a más de 50 °C. Ajuste la temperatura de referencia deseada en la valvulería del termostato.

### Ahorro de energía

Se consumirá menos energía con los siguientes ajustes recomendados:

- 38 °C para el lavamanos, ducha y bañera
- 55 °C para el fregadero de la cocina

### Protección antiescaldamiento interna (profesional técnico especializado)

Si se desea, el profesional técnico especializado puede ajustar un límite permanente de temperatura, p. ej., en guarderías, hospitales, etc.

### Ajustes recomendados para la operación con una valvulería del termostato y agua precalentada por energía solar

- ▶ Configure la temperatura del aparato a la temperatura máxima.

### Tras interrumpir el abastecimiento de agua



#### Daños materiales

Para que el sistema de calefacción de cables desnudos no quede dañado tras interrumpir el abastecimiento de agua, el aparato se tiene que volver a poner en marcha con los siguientes pasos.

- ▶ Corte la tensión del aparato desconectando los fusibles.
- ▶ Abra el grifo/válvula durante un minuto hasta que no quede aire en el aparato ni en la tubería de suministro de agua fría conectada anteriormente.
- ▶ Vuelva a encender la fuente de suministro.

## 5. Limpieza, conservación y mantenimiento

- ▶ No utilice detergentes agresivos ni disolventes. Para conservar y limpiar el aparato basta con utilizar un paño húmedo.
- ▶ Revise la grifería/valvulería periódicamente. La cal en las tomas de grifos puede eliminarse utilizando los productos antical disponibles en el mercado.

## 6. Resolución de problemas

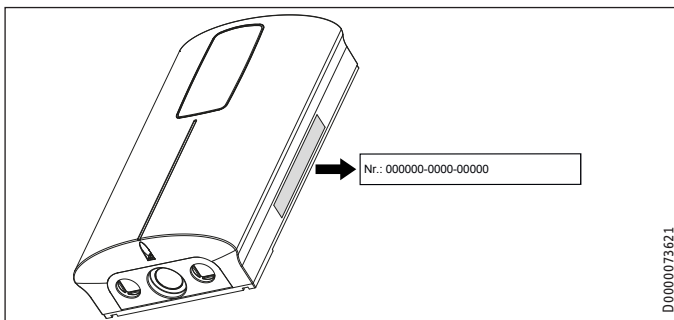
Problema	Causa	Solución
El aparato no se enciende a pesar de que la válvula de agua caliente está completamente abierta.	No hay tensión.	Revise los fusibles de la caja de fusibles doméstica.
	El regulador de chorro en el grifo/válvula o el cabezal de la ducha presentan cal o están sucios.	Limpie o elimine la cal del regulador de chorro del cabezal de la ducha.
Mientras se extrae agua caliente, fluye agua fría brevemente.	Se ha interrumpido el abastecimiento de agua.	Purgue el aire del aparato y la tubería de suministro de agua fría.
	La detección de aire detecta aire en el agua. Desconecta la potencia de calefacción brevemente.	El aparato vuelve a ponerse en marcha automáticamente después de transcurrir 1 minuto.
No se puede ajustar la temperatura deseada.	El límite de temperatura o la protección antiescaldamiento interna están activados.	Desactive el límite de temperatura. La protección antiescaldamiento interna solo puede ser modificada por el profesional técnico especializado.
Caudal insuficiente.	La función ECO está activada.	Ajuste otro nivel ECO o desactive la función ECO.
No se pueden hacer ajustes en la unidad de programación.	El bloqueo de seguridad está activado.	Pulse el botón "i" durante más de 12 segundos para desactivar el bloqueo de seguridad.



### Nota

Las visualizaciones en la unidad de programación y los ajustes elegidos se mantienen tras una interrupción de la fuente de suministro (excepto la hora).

Si no puede solucionar la causa, llame al profesional técnico especializado. Para poder ayudarle mejor y con mayor rapidez, indique el número de la placa de especificaciones técnicas (000000-0000-000000).



## INSTALACIÓN

### 7. Seguridad

La instalación, la puesta en marcha y el mantenimiento y reparación del aparato deben ser realizados exclusivamente por un profesional técnico especializado.

#### 7.1 Instrucciones generales de seguridad

Solo garantizamos un nivel óptimo de funcionalidad y de seguridad y fiabilidad en la operación si se utilizan accesorios y piezas de repuesto originales específicos del aparato.



#### Daños materiales

Tenga en cuenta la temperatura máxima de admisión. El aparato se puede dañar si la temperatura es elevada. Instalando una valvulería del termostato central puede limitar la temperatura de admisión máxima.



#### ADVERTENCIA Electrocución

Este aparato contiene condensadores que se descargan si se separan de la red de corriente. La tensión de descarga del condensador puede, en su caso, ser > 60 V CC durante un breve periodo.

#### 7.2 Modo de ducha



#### PRECAUCIÓN Quemaduras

► Para el suministro de agua a una ducha, ajuste la protección antiescaldamiento interna a 55 °C o menos (véase el capítulo "Puesta en marcha / Preparativos").



#### PRECAUCIÓN Quemaduras

En el modo de funcionamiento con agua precalentada, por ejemplo, cuando utilice un sistema de calefacción solar, observe la siguiente nota: la temperatura del agua caliente puede exceder la temperatura de referencia ajustada o un límite de temperatura ajustado.  
► En tal caso, limite la temperatura con una válvula del termostato central conectada previamente.

#### 7.3 Reglamentos, normas y disposiciones



#### Nota

Tenga en cuenta todos los reglamentos y disposiciones nacionales y regionales.

- La clase de protección IP 25 (protegido de salpicaduras de agua) solo se garantiza con un manguito del cable colocado correctamente y utilizando tornillos de cabeza mecanizada de Ø 4,5 mm con un diámetro máximo de cabeza de 9 mm.

## Descripción del aparato

- La resistencia eléctrica específica del agua no debe ser menor que la indicada en la placa de especificaciones técnicas. En una red colectiva de agua debe tenerse en cuenta la resistencia eléctrica mínima del agua. Puede consultar cuál es la resistencia eléctrica específica o la conductividad eléctrica del agua a su compañía de abastecimiento de agua.

## 8. Descripción del aparato

### 8.1 Ámbito de suministro

El suministro del aparato incluye:

- 2 racores dobles de 45°
- 2 juntas planas
- 2 juntas tóricas
- Manguito del cable
- Filtro
- Jumper para protección antiescaldamiento (acoplado)
- Jumper para conmutación de potencia (acoplado)

### 8.2 Accesorios

#### Set de montaje de instalación de agua oculta

Para la instalación de agua oculta se necesitan los siguientes accesorios:

- 2 arandelas de goma para sellar las aberturas en la pared posterior del aparato.
- Filtro con borde de estanqueidad para instalación en el racor doble de 45°.
- Junta plana.

## 9. Preparación

### 9.1 Lugar de montaje



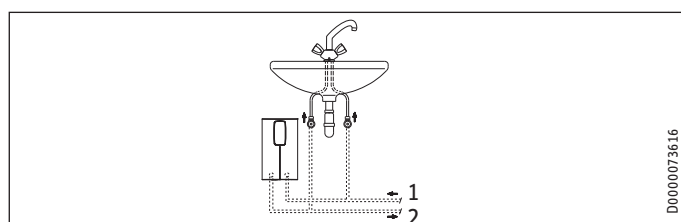
#### Daños materiales

La instalación del aparato solo se puede hacer en habitaciones resguardadas de la escarcha.

- Monte el aparato en posición vertical y cerca del punto de dispensado.

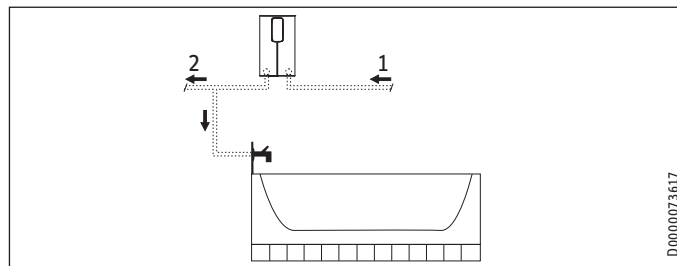
El aparato se puede montar sobre una mesa y bajo mesa.

#### Montaje bajo mesa



- 1 Alimentación del agua fría
- 2 Salida de agua caliente

#### Montaje sobre una mesa



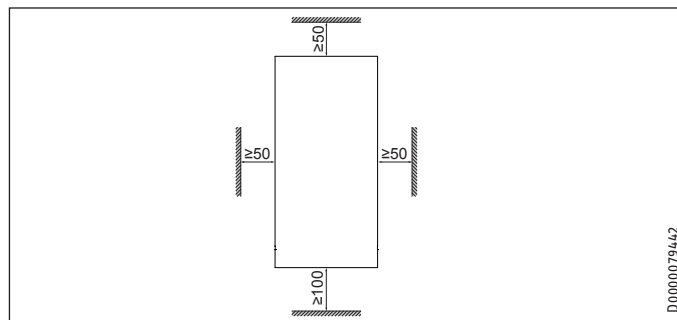
- 1 Alimentación del agua fría
- 2 Salida de agua caliente



#### Nota

► Monte el aparato pegado a la pared. La pared debe tener una capacidad portante suficiente.

### 9.2 Distancias mínimas de separación



- Mantenga la distancia mínima para garantizar la operación sin averías del aparato y permitir que se realicen trabajos de mantenimiento en el mismo.

### 9.3 Instalación de agua



#### Daños materiales

Realice todos los trabajos de conexión e instalación hidráulicos conforme a la normativa vigente.

- Lave a fondo la tubería de agua.

#### Grifería/valvulería

Utilice la valvulería de presión adecuada. No se admite grifería/valvulería abierta.

#### Materiales admisibles para las tuberías de agua

- Tubería de suministro de agua fría: tubos de acero galvanizados en caliente, tubos de acero inoxidable, tubos de cobre o tubos de plástico.
- Tubería de suministro de agua caliente: tubos de acero inoxidable, tubos de cobre o tubos de plástico.



#### Daños materiales

Si utiliza sistemas de tuberías de plástico, tenga presente la temperatura de admisión máxima admisible y la presión máxima admisible.



# INSTALACIÓN

## Montaje

### Caudal

- ▶ Asegúrese de que se alcance el caudal necesario para que se encienda el aparato.
- ▶ Aumente la presión de la tubería de agua si no se alcanza el caudal necesario con la válvula de dispensado completamente abierta.

## 10. Montaje

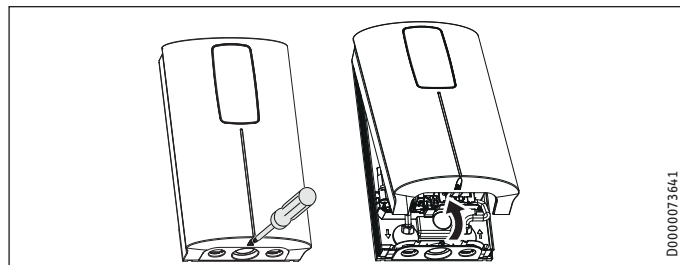
Ajustes de fábrica	DCE-X 6/8 Premium	DCE-X 10/12 Premium
Protección antisaldamiento interna en °C	60	60
Potencia conectada en kW		
a 220 V	8,0	12,0
a 230 V	8,7	13,1
a 240 V	9,6	14,3

Montaje estándar	DCE-X 6/8 Premium	DCE-X 10/12 Premium
Empalme eléctrico inferior, instalación vista en la parte inferior	x	x
Conexión de agua, instalación vista	x	x

Otras opciones de montaje disponibles en el capítulo "Alternativas de montaje".

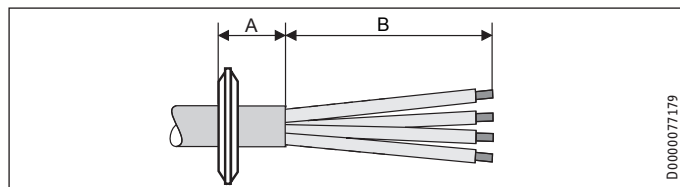
### 10.1 Montaje estándar visto

#### Apertura del aparato



- ▶ Abra el aparato aflojando el tornillo y abriendo la tapa del aparato.

#### Preparación del cable de conexión a la red eléctrica



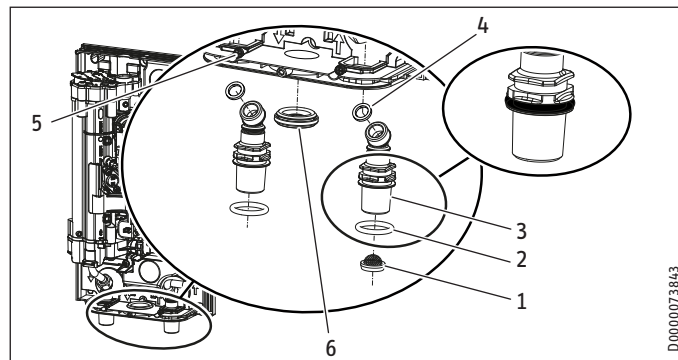
- ▶ Prepare el cable de conexión a la red eléctrica.

Posición vista	Dimensión A	Dimensión B
Abajo, centro	30	120
Abajo, lado izquierdo del aparato	20	90
Abajo, lado derecho del aparato	20	90
Arriba, lado derecho del aparato	20	80

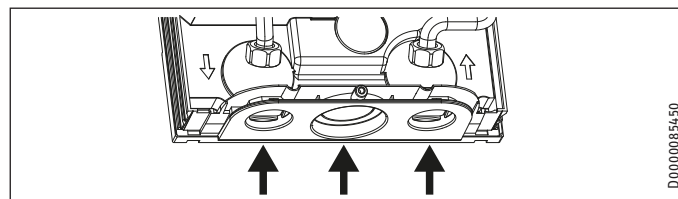
Posición oculta	Dimensión A	Dimensión B
Abajo	20	90
Arriba	20	80

### Preparación



- 1 Filtro
- 2 Juntas tóricas
- 3 Racores dobles de 45°
- 4 Juntas planas
- 5 Tornillos de seguridad
- 6 Manguito del cable

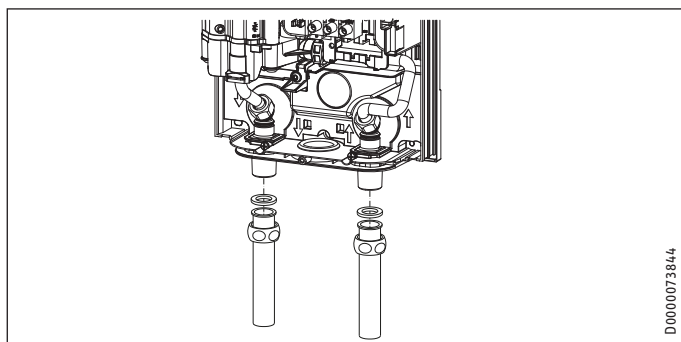
- ▶ Suelte los tornillos de seguridad.



- ▶ Perfore o realice los orificios necesarios a lo largo de las marcas para el cable de conexión a la red eléctrica y los racores dobles en la pared posterior del aparato. Utilice una herramienta plana adecuada para este fin. Elimine la rebaba de los cantos afilados con una lima.
- ▶ Extraiga los toques de protección para el transporte de las tuberías de conexión de agua.
- ▶ Recorte un orificio en el manguito del cable según el cable de conexión elegido. Monte el manguito del cable.
- ▶ Monte las juntas tóricas en la ranura de los racores dobles.
- ▶ Inserte los racores dobles en las aberturas de la pared posterior del aparato y colóquelos con las juntas planas en los tubos de empalme del aparato (par de apriete de 8 Nm).
- ▶ Asegure los racores dobles con los tornillos de seguridad.
- ▶ Monte el filtro en el racor doble de la conexión de agua fría.

#### Montaje del aparato

- ▶ Perfore o realice los orificios alargados inferiores (distancia: 175 mm) para sujetar el aparato en la pared posterior del mismo (véanse las posiciones en el capítulo "Especificaciones técnicas / Dimensiones y conexiones"). Los dos orificios de fijación superiores ya están abiertos.
- ▶ Marque las 4 posiciones de taladrado con ayuda de la pared posterior del aparato.
- ▶ Taladre los orificios y fije el aparato con el material de fijación apropiado (ni los tornillos ni los tacos van incluidos en el ámbito de suministro): tornillo de cabeza mecanizada Ø 4,5 mm con diámetro máx. de cabeza de 9 mm.



D0000073844

- ▶ Monte una valvulería de presión adecuada.
- ▶ Enrosque los tubos de conexión de agua de la válvula (no incluidos en el ámbito de suministro) con las juntas planas en el racor doble.
- ▶ Abra la válvula de cierre en la tubería de suministro de agua fría.

### Establecimiento del empalme eléctrico



**ADVERTENCIA Electrocutación**  
Realice todos los trabajos de conexión e instalación eléctricos de conformidad con la normativa vigente.



**ADVERTENCIA Electrocutación**  
La conexión a la red eléctrica solo está permitida si la conexión es fija, en combinación con la boquilla de paso extraíble. El aparato debe poder desconectarse omnipolarmente de la red eléctrica mediante una separación de al menos 3 mm.



**ADVERTENCIA Electrocutación**  
Asegúrese de que el aparato esté conectado al conductor de puesta a tierra.

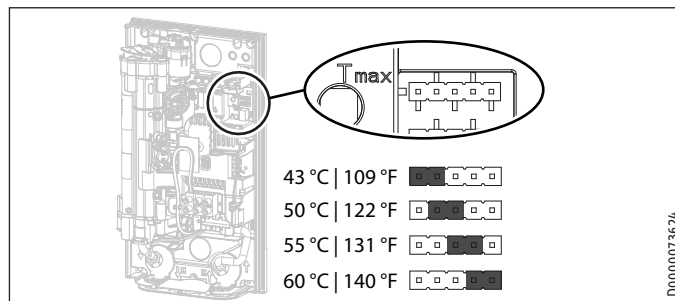


**Daños materiales**  
Observe la placa de especificaciones técnicas. La tensión de alimentación indicada debe coincidir con la fuente de suministro.

- ▶ Desplace el cable de conexión a la red eléctrica por el mango del cable.
- ▶ Conecte el cable de conexión a la red eléctrica al borne de conexión a la red eléctrica (véase el capítulo "Instalación / Especificaciones técnicas / Diagrama eléctrico").

## 11. Puesta en marcha

### 11.1 Protección antiescaldamiento interna mediante toma de jumper



D0000073624

- ▶ Monte el jumper en la posición deseada de la regla de tomas "Tmax".

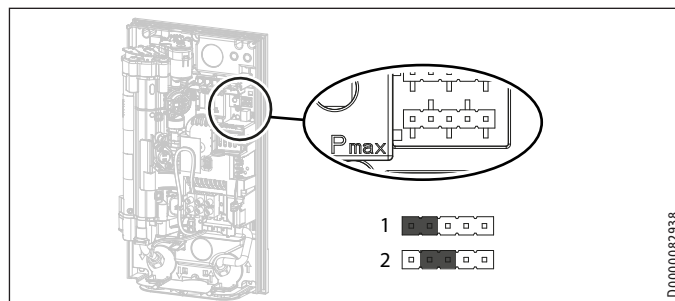
Posición del saltador	Descripción
43 °C   109 °F	P. ej., en guarderías, hospitales, etc.
50 °C   122 °F	
55 °C   131 °F	Máx. para modo de ducha
60 °C   140 °F	Configuración de fábrica
Sin jumper	Límite 43 °C   109 °F



**PRECAUCIÓN Quemaduras**  
En el modo de funcionamiento con agua precalentada, por ejemplo, cuando utilice un sistema de calefacción solar, se puede superar la protección antiescaldamiento interna y el límite de temperatura Tmax, que puede ser ajustado por el usuario.  
▶ En tal caso, limite la temperatura con una válvula del termostato central conectada previamente.

### 11.2 Cambio de la potencia conectada a través de la toma de jumper

Si selecciona una potencia conectada distinta a la configuración de fábrica para el aparato, deberá cambiar el jumper.



D0000082938

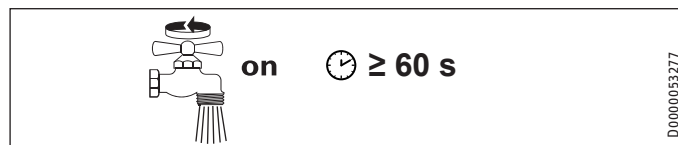
- ▶ Monte el jumper en la posición deseada de la regla de tomas "Pmax".



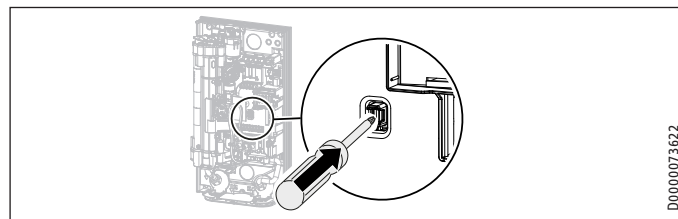
Posición del saltador	Potencia conectada	Potencia conectada	
		DCE-X 6/8 Premium	DCE-X 10/12 Premium
1	a 220 V	6,0 kW	10,0 kW
	a 230 V	6,6 kW	11,0 kW
	a 240 V	7,2 kW	12,0 kW
2	a 220 V	8,0 kW	12,0 kW
	a 230 V	8,7 kW	13,1 kW
	a 240 V	9,6 kW	14,3 kW
Sin jumper	a 220 V	6,0 kW	10,0 kW
	a 230 V	6,6 kW	11,0 kW
	a 240 V	7,2 kW	12,0 kW

### 11.3 Primera puesta en marcha

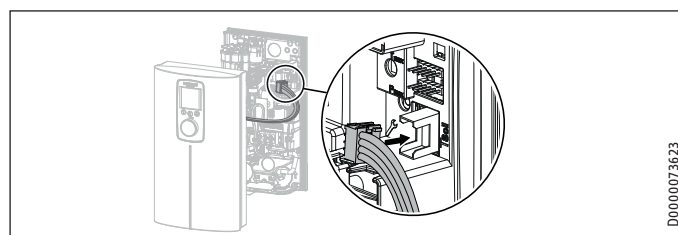
- ▶ Marque con una cruz la potencia conectada seleccionada en la placa de especificaciones técnicas. Use para ello un bolígrafo.



- ▶ Abra y cierre varias veces todas las válvulas de dispensado conectadas hasta que no quede aire en la red de tuberías y el aparato.
- ▶ Realice una inspección de estanqueidad.



- ▶ Active el interruptor de seguridad presionando con fuerza el botón de restablecimiento (el aparato se suministra con el interruptor de seguridad desactivado).

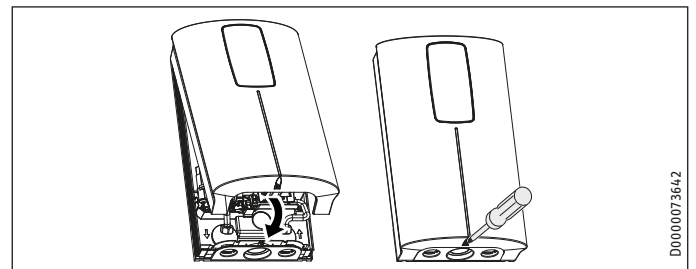


- ▶ Inserte el conector del cable de conexión de la unidad de programación en la conexión electrónica.



#### Nota

Inserte en todo caso el cable de conexión de la unidad de programación en la conexión electrónica antes de conectar la tensión. De lo contrario, la unidad de programación no estará en funcionamiento.



- ▶ Enganche la tapa del aparato por la parte superior trasera en la pared posterior del aparato. Gire la tapa del aparato hacia abajo. Compruebe que la tapa del aparato quede firmemente asentada por arriba y abajo.
- ▶ Fije la tapa del aparato con el tornillo.
- ▶ Retire la lámina de protección de la consola de mando.



- ▶ Conecte la fuente de suministro.
- ▶ Asegúrese de que la unidad de programación funcione correctamente.

#### 11.3.1 Entrega del aparato

- ▶ Explique al usuario el funcionamiento del aparato y haga que se familiarice con el uso del mismo.
- ▶ Indique al usuario los posibles peligros existentes, en particular en relación al peligro de escaldamiento.
- ▶ Entregue las instrucciones.

### 11.4 Nueva puesta en marcha



#### Daños materiales

Para que el sistema de calefacción de cables desnudos no quede dañado tras interrumpir el abastecimiento de agua, el aparato se tiene que volver a poner en marcha con los siguientes pasos.

- ▶ Corte la tensión del aparato desconectando los fusibles.
- ▶ Abra el grifo/válvula al menos durante un minuto hasta que no quede aire en el aparato ni en la tubería de suministro de agua fría previa.
- ▶ Vuelva a encender la fuente de suministro.

## 12. Puesta fuera de servicio

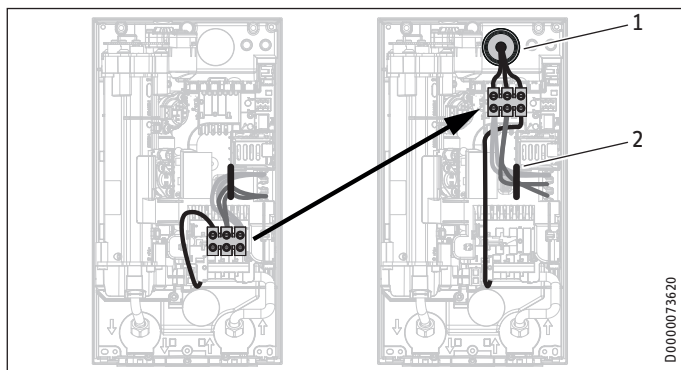
- ▶ Desconecte el aparato omnipolarmente de la conexión a la red eléctrica.
- ▶ Vacíe el aparato (véase el capítulo "Mantenimiento / Vaciado del aparato").

### 13. Alternativas de montaje



**ADVERTENCIA Electrocución**  
Siempre que desee realizar cualquier tarea en el aparato, debe desconectarlo omnipolarmente de la conexión a la red eléctrica.

#### 13.1 Empalme eléctrico oculto en la parte superior



- 1 Manguito del cable
- 2 Guiado de cables

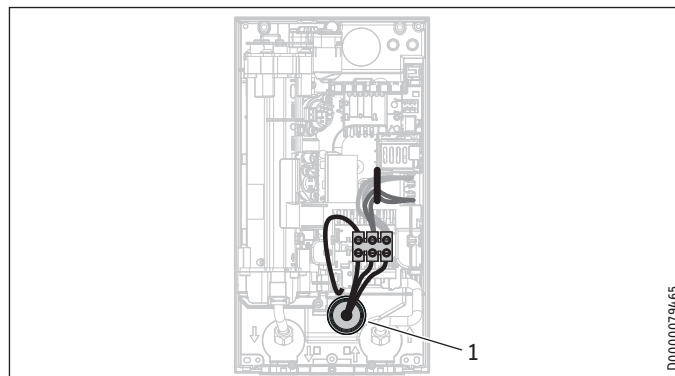
- ▶ Realice el orificio necesario para el cable de conexión a la red eléctrica en la pared posterior del aparato (véanse las posiciones en el capítulo "Especificaciones técnicas / Dimensiones y conexiones"). Elimine la rebaba de los cantos afilados con una lima.
- ▶ Recorte un orificio en el manguito del cable según el cable de conexión elegido. Monte el manguito del cable.
- ▶ Desplace el terminal de conexión eléctrica de abajo arriba. Desconecte para ello el terminal de conexión eléctrica desplazando con fuerza el terminal hacia la izquierda y tirando hacia adelante. Gire 180° en sentido horario el terminal de conexión eléctrica con los cables de conexión a la red eléctrica. Disponga el cableado interno bajo el guiado de cables. Conecte el terminal de conexión eléctrica apretando el terminal y desplazándolo hacia la izquierda hasta que encaje.
- ▶ Monte el aparato y conecte el cable de conexión a la red eléctrica al terminal de conexión eléctrica, tal como se describe en el capítulo "Montaje / Montaje estándar visto".



**Nota**  
Desmontaje del terminal de conexión eléctrica la parte superior:

- ▶ Use un destornillador para desbloquear el gancho de enclavamiento del lado derecho.

#### 13.2 Empalme eléctrico oculto en la parte inferior

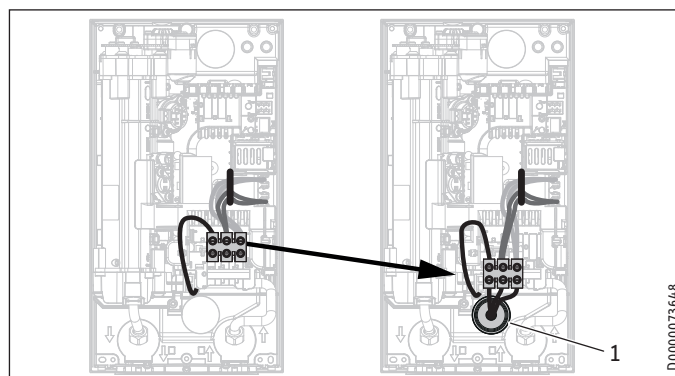


- 1 Manguito del cable

- ▶ Realice el orificio necesario para el cable de conexión a la red eléctrica en la pared posterior del aparato (véanse las posiciones en el capítulo "Especificaciones técnicas / Dimensiones y conexiones"). Elimine la rebaba de los cantos afilados con una lima.
- ▶ Recorte un orificio en el manguito del cable según el cable de conexión elegido. Monte el manguito del cable.
- ▶ Monte el aparato y conecte el cable de conexión a la red eléctrica al terminal de conexión eléctrica, tal como se describe en el capítulo "Montaje / Montaje estándar visto".

#### 13.3 Empalme eléctrico con un cable de conexión a la red eléctrica corto

Con un cable de conexión a la red eléctrica corto, se puede montar el terminal de conexión eléctrica en el aparato más cerca del orificio de paso.



- 1 Manguito del cable

- ▶ Desplace el terminal de conexión eléctrica de arriba abajo. Desconecte para ello el terminal de conexión eléctrica desplazando con fuerza el terminal hacia la izquierda y tirando hacia adelante. Conecte el terminal de conexión eléctrica en la parte inferior apretando el terminal y desplazándolo hacia la izquierda hasta que encaje.

### 13.4 Empalme eléctrico visto lateral

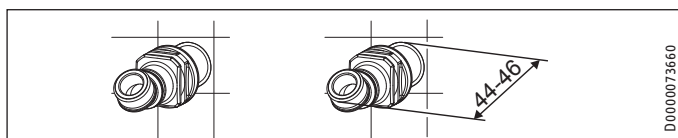
- ▶ Sierre y realice el orificio necesario para el cable de conexión a la red eléctrica en la pared posterior del aparato y tapa del aparato (véanse las posiciones en el capítulo "Especificaciones técnicas / Dimensiones y conexiones"). Elimine la rebaba de los cantos afilados con una lima.
- ▶ Monte el aparato y conecte el cable de conexión a la red eléctrica al terminal de conexión eléctrica, tal como se describe en el capítulo "Montaje / Montaje estándar visto".

### 13.5 Instalación de agua oculta

Para la instalación necesitará los accesorios correspondientes. El set de montaje "Instalación de agua oculta" incluye:

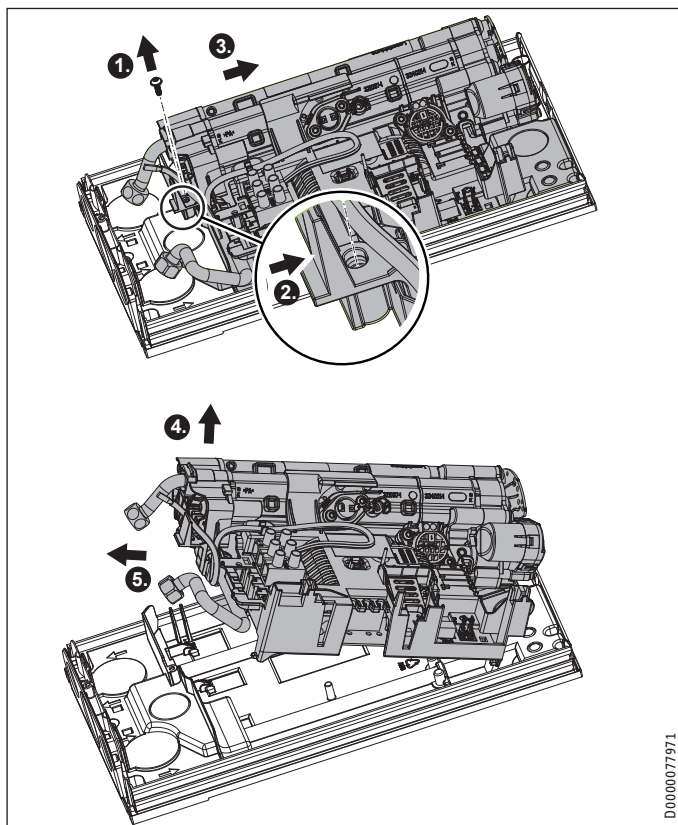
- 2 arandelas de goma para sellar las aberturas en la pared posterior del aparato.
- Filtro con borde de estanqueidad para instalación en el racor doble de 45°.
- Junta plana.

#### Preparación



- ▶ Obture y enrosque los racores dobles de 45°.

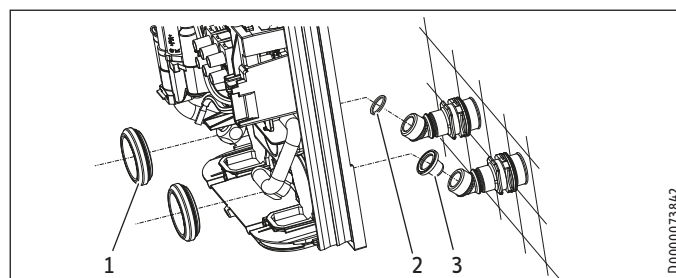
Para perforar los pasos en la pared posterior del aparato, hay que desmontar el grupo funcional de la pared posterior del aparato.



- ▶ Extraiga el tornillo y desbloquee el gancho de enclavamiento.

- ▶ Desplace un poco hacia atrás el grupo funcional en la pared posterior del aparato.
- ▶ Levante el grupo funcional de la pared posterior del aparato tirando del grupo funcional un poco hacia adelante y extrayéndolo.
- ▶ Perfore o realice desde atrás los orificios necesarios en la pared posterior del aparato para las conexiones de agua (véanse las posiciones en el capítulo "Especificaciones técnicas / Dimensiones y conexiones"). Elimine la rebaba de los cantos afilados con una lima.
- ▶ Monte el grupo funcional en orden inverso en la pared posterior del aparato hasta que el grupo funcional encaje.
- ▶ Fije el grupo funcional con el tornillo.

#### Montaje del aparato



- 1 Arandelas de goma
- 2 Junta plana.
- 3 Filtro con borde de estanqueidad

- ▶ Marque las 2 posiciones de taladrado en la parte superior de la pared posterior del aparato con ayuda de la pared posterior del aparato.
- ▶ Monte las arandelas de goma desde la parte delantera en la pared posterior del aparato.
- ▶ Taladre los orificios y fije el aparato con el material de fijación apropiado (ni los tornillos ni los tacos van incluidos en el ámbito de suministro): tornillo de cabeza mecanizada  $\varnothing$  4,5 mm con diámetro máx. de cabeza de 9 mm.



#### Nota

- ▶ Monte el aparato pegado a la pared. En caso necesario, fije el aparato adicionalmente en los dos puntos de fijación inferiores. Para ello, perfore / realice los orificios alargados inferiores (distancia: 175 mm) en la pared posterior del aparato (véanse las posiciones en el capítulo "Especificaciones técnicas / Dimensiones y conexiones").

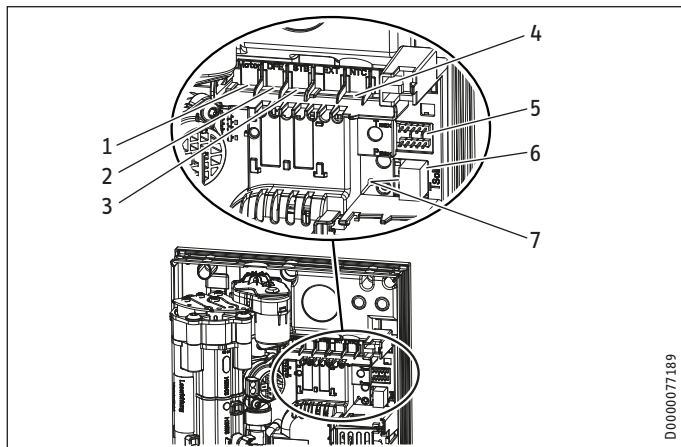
- ▶ Extraiga los topes de protección para el transporte de las tubuladuras de conexión de agua.
- ▶ Enrosque el tubo de empalme de agua caliente con una junta plana y la tubería de suministro de agua fría con el filtro con borde de estanqueidad (incluido en los accesorios) en el racor doble.

### 13.6 Operación con agua precalentada

Instalando una valvulería del termostato central se limita la temperatura máxima de admisión.

### 14. Información de servicio

#### Resumen de conexiones / resumen de componentes



- 1 Válvula motorizada
- 2 Medición de caudal
- 3 Limitador de temperatura de seguridad con restablecimiento automático
- 4 Sensor NTC
- 5 Regletas de tomas para potencia conectada y protección antiescaldamiento
- 6 Posición de inserción de unidad de programación
- 7 Semáforo de diagnóstico

### 15. Reparación de averías



#### ADVERTENCIA Electrocutación

Para poder comprobar el aparato, este deberá estar conectado a la fuente de suministro.



#### Nota

La comprobación del aparato con el semáforo de diagnóstico se debe hacer con el agua fluyendo.

#### Posibilidades de indicación del semáforo de diagnóstico (LED)

●○○○	Rojo	Se ilumina en caso de avería
○○●○	Amarillo	Se enciende en modo calefacción / parpadea al llegar al límite de potencia
○○○●	Verde	Parpadeo: el aparato está conectado a la red eléctrica

Semáforo de diagnóstico (modo de dispensación)	Avería	Causa	Solución
No se enciende ningún LED	El aparato no calienta	Faltan una o más fases de la tensión de red Sistema electrónico defectuoso	Comprobar los fusibles en la instalación doméstica Sustituir el grupo funcional
Verde intermitente, amarillo apagado, rojo apagado	No hay agua caliente	No se alcanza el caudal de conexión del aparato, el cabezal de la ducha / el regulador de chorro están obstruidos por la cal No se alcanza el caudal de conexión del aparato, el filtro en la alimentación de agua fría está sucio La medición de caudal no está conectada El caudalímetro está defectuoso o sucio Sistema electrónico defectuoso	Descalcificar/sustituir el cabezal de la ducha / el regulador de chorro Limpiar el filtro Comprobar la conexión del conector, corregirla si es necesario Sustituir el caudalímetro Sustituir el grupo funcional

Semáforo de diagnóstico (modo de dispensación)	Avería	Causa	Solución
Verde intermitente, amarillo encendido, rojo apagado	No hay indicación en la pantalla	Hay un cable de conexión suelto entre el sistema electrónico y la unidad de programación	Comprobar las conexiones de los conectores, corregirlas si es necesario
		Hay un cable de conexión defectuoso entre el sistema electrónico y la unidad de programación	Comprobar el cable de conexión y sustituirlo si fuera necesario
		Unidad de programación defectuosa	Sustituir la unidad de programación
		Sistema electrónico defectuoso	Sustituir el grupo funcional
Verde intermitente, amarillo encendido, rojo apagado	No hay agua caliente, la temperatura de salida no se corresponde con el valor de referencia	Válvula defectuosa	Sustituir la válvula
		Unidad de programación conectada al sistema electrónico después de conectar la tensión de la red	Desconectar los fusibles de la instalación doméstica y luego volver a conectarlos
		Sensor de salida defectuoso	Sustituir el sensor de salida
		Sistema de calefacción defectuoso	Sustituir el grupo funcional
		Sistema electrónico defectuoso	Sustituir el grupo funcional
Verde intermitente, amarillo intermitente, rojo apagado	No hay agua caliente, la temperatura de salida no se corresponde con el valor de referencia	Se ha alcanzado el límite de regulación de la válvula motorizada	Reducir la temperatura ajustada
		Válvula motorizada defectuosa	Sustituir la válvula motorizada
Verde intermitente, amarillo apagado, rojo encendido	No hay agua caliente, la temperatura de salida no se corresponde con el valor de referencia	La detección de aire se ha activado	Continuar con la operación de dispensación > 1 min

### 15.1 Visualización de un código de error

Una llave de tuercas parpadea en la pantalla si se produce un error en el aparato.

- Para ver el código de error, pulse el botón "i" durante más de 5 segundos.

Semáforo de diagnóstico (modo de dispensación)	Visualización en la pantalla	Avería	Causa	Solución
Verde intermitente, amarillo apagado, rojo encendido	La llave de tuercas parpadea (visualización del código de error E1 y de la llave de tuercas)	No hay agua caliente, la temperatura de salida no se corresponde con el valor de referencia	El interruptor de seguridad no está activado en la "primera puesta en marcha"	Activar el interruptor de seguridad presionando firmemente el botón de restablecimiento
			El interruptor de seguridad ha sido activado por el limitador de temperatura de seguridad	Comprobar el limitador de temperatura de seguridad (conector, cable de conexión), activar el interruptor de seguridad
			El interruptor de seguridad se vuelve a disparar después de comprobar el limitador de temperatura de seguridad, el limitador de temperatura de seguridad está defectuoso	Sustituir el limitador de temperatura de seguridad, activar el interruptor de seguridad y dispensar con el máximo valor de referencia >1 min
			El interruptor de seguridad se vuelve a disparar, el sistema electrónico está defectuoso	Sustituir el grupo funcional
Verde intermitente, amarillo apagado, rojo encendido	La llave de tuercas parpadea (visualización del código de error E2 y de la llave de tuercas)	No hay agua caliente	Sistema electrónico defectuoso (rotura o cortocircuito del sensor de entrada)	Sustituir el grupo funcional
Verde intermitente, amarillo apagado, rojo encendido	La llave de tuercas parpadea (visualización del código de error E3 y de la llave de tuercas)	No hay agua caliente	Cortocircuito del sensor de salida	Comprobar el sensor de salida y sustituirlo si fuera necesario

### 16. Mantenimiento



#### ADVERTENCIA Electrocutación

Siempre que desee realizar cualquier tarea en el aparato, debe desconectarlo omnipolarmente de la conexión a la red eléctrica.

Este aparato contiene condensadores que se descargan si se separan de la red de corriente. La tensión de descarga del condensador puede, en su caso, ser > 60 V CC durante un breve periodo.

#### 16.1 Vaciado del aparato

Puede drenar el aparato para los trabajos de mantenimiento.



#### ADVERTENCIA Quemaduras

Cuando vacíe el aparato puede salir agua caliente.

- ▶ Cierre la válvula de cierre en la tubería de suministro de agua fría.
- ▶ Abra todas las válvulas de dispensado.
- ▶ Desenrosque las conexiones de agua del aparato.
- ▶ Guarde el aparato desmontado resguardado de la escarcha, ya que hay agua residual en su interior que puede congelarse y causar daños en el aparato.

#### 16.2 Limpiar el filtro



#### ADVERTENCIA Quemaduras

Cuando vacíe el aparato puede salir agua caliente.



#### Daños materiales

Para que el sistema de calefacción de cables desnudos no quede dañado tras interrumpir el abastecimiento de agua, el aparato se tiene que volver a poner en marcha con los siguientes pasos.

- ▶ Corte la tensión del aparato desconectando los fusibles.
- ▶ Abra el grifo/válvula al menos durante un minuto hasta que no quede aire en el aparato ni en la tubería de suministro de agua fría previa.
- ▶ Vuelva a encender la fuente de suministro.

El filtro en la unión de tornillo del agua fría se debe limpiar con regularidad.

##### 16.2.1 Limpiar el filtro, montaje estándar visto

- ▶ Corte la tensión del aparato y espere hasta que se haya desenergizado.
- ▶ Cierre la válvula de cierre en la tubería de suministro de agua fría.
- ▶ Abra todas las válvulas de dispensado.
- ▶ Desmonte la unión enroscada del agua fría.
- ▶ Retire el filtro del racor doble con ayuda de un destornillador plano. Limpie el filtro.
- ▶ Vuelva a montar el filtro. Enrosque el tubo de empalme de agua fría en el racor doble.

- ▶ Abra la válvula de cierre en la tubería de suministro de agua fría.
- ▶ Abra y cierre varias veces todas las válvulas de dispensado conectadas hasta que no quede aire en la red de tuberías y el aparato.
- ▶ Conecte la fuente de suministro.

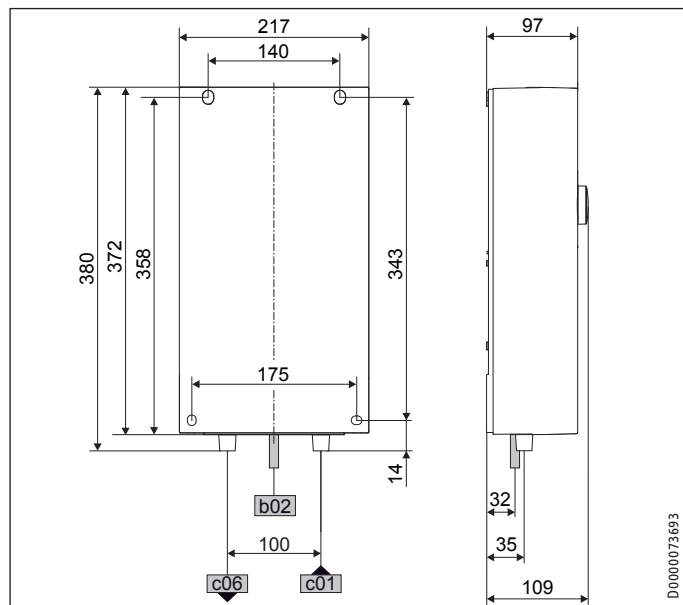
##### 16.2.2 Limpiar el filtro, instalación de agua oculta

- ▶ Corte la tensión del aparato y espere hasta que se haya desenergizado.
- ▶ Cierre la válvula de cierre en la tubería de suministro de agua fría.
- ▶ Abra todas las válvulas de dispensado.
- ▶ Abra el aparato aflojando el tornillo y abriendo la tapa del aparato.
- ▶ Desenrosque el tubo de empalme de agua fría del racor doble. Gire hacia arriba el tubo de empalme de agua fría.
- ▶ Retire el filtro del racor doble. Limpie el filtro.
- ▶ Enrosque el tubo de empalme de agua fría con el filtro con borde de estanqueidad en el racor doble.
- ▶ Abra la válvula de cierre en la tubería de suministro de agua fría.
- ▶ Abra y cierre varias veces todas las válvulas de dispensado conectadas hasta que no quede aire en la red de tuberías y el aparato.
- ▶ Compruebe la conexión del agua fría para ver si hay fugas.
- ▶ Enganche la tapa del aparato por la parte superior trasera en la pared posterior del aparato. Gire la tapa del aparato hacia abajo. Compruebe que la tapa del aparato quede firmemente asentada por arriba y abajo. Fije la tapa del aparato con el tornillo.
- ▶ Conecte la fuente de suministro.



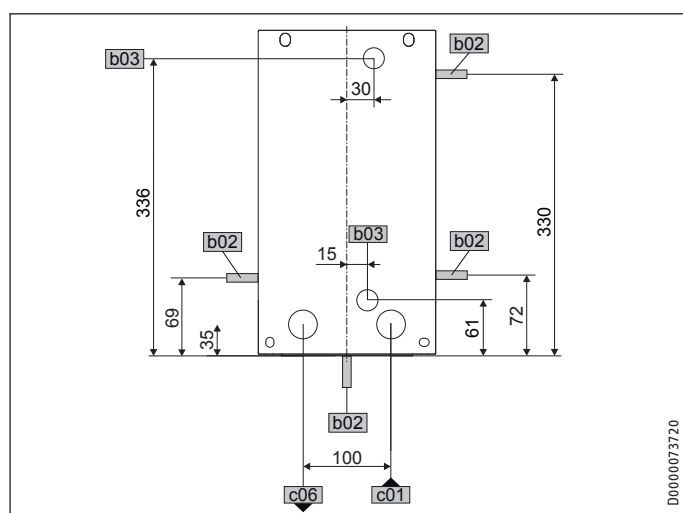
### 17. Especificaciones técnicas

#### 17.1 Dimensiones y conexiones



		DCE-X Premium
b02	Tendido de cableado eléct. I	Visto
c01	Alimentación del agua fría	Rosca exterior G 1/2 A
c06	Salida de agua caliente	Rosca exterior G 1/2 A

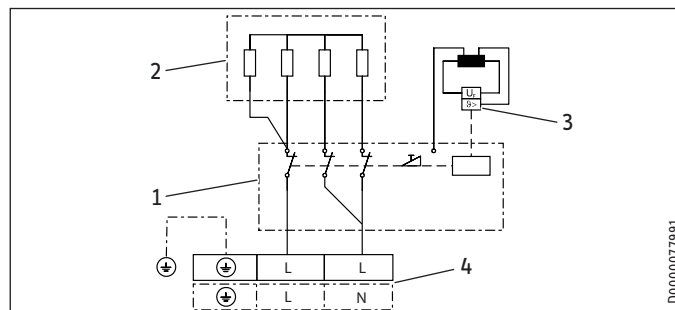
#### Posibilidades de conexión alternativas



		DCE-X Premium
b02	Tendido de cableado eléct. I	Visto
b03	Tendido de cableado eléct. II	Oculto
c01	Alimentación del agua fría	Rosca exterior G 1/2 A
c06	Salida de agua caliente	Rosca exterior G 1/2 A

#### 17.2 Diagrama eléctrico

DCE-X Premium	
	2/GRD ~ 220 - 240 V
	1/N/PE ~ 220 - 240 V



- 1 Electrónica de potencia con interruptor de seguridad integrado
- 2 Sistema de calefacción de cables desnudos
- 3 Limitador de temperatura de seguridad
- 4 Terminal de conexión eléctrica

#### 17.3 Rendimiento de agua caliente

El rendimiento de agua caliente depende de la fuente de suministro existente, de la potencia conectada del aparato y de la temperatura de admisión del agua fría. La tensión de alimentación y la potencia nominal se pueden consultar en la placa de especificaciones técnicas.

Potencia conectada en kW	Rendimiento de agua caliente a 38 °C en L/min			
	Temperatura de admisión del agua fría			
Tensión de alimentación	220 V	230 V	240 V	
				5 °C
				10 °C
				15 °C
				20 °C

DCE-X 6/8 Premium				
6,0			2,6	3,1
8,0			3,5	4,1
	6,6		2,9	3,4
	8,7		3,8	4,4
		7,2	3,1	3,7
		9,6	4,2	4,9

DCE-X 10/12 Premium				
10,0			4,3	5,1
12,0			5,2	6,1
	11,0		4,8	5,6
	13,1		5,7	6,7
		12,0	5,2	6,1
		14,3	6,2	7,3

Potencia conectada en kW	Rendimiento de agua caliente a 50 °C en L/min			
	Temperatura de admisión del agua fría			
Tensión de alimentación	220 V	230 V	240 V	
				5 °C
				10 °C
				15 °C
				20 °C

DCE-X 6/8 Premium				
6,0			1,9	2,1
8,0			2,5	2,9
	6,6		2,1	2,4
	8,7		2,8	3,1
		7,2	2,3	2,6
		9,6	3,0	3,4

# INSTALACIÓN

## Especificaciones técnicas

Potencia conectada en kW			Rendimiento de agua caliente a 50 °C en L/min			
Tensión de alimentación			Temperatura de admisión del agua fría			
220 V	230 V	240 V	5 °C	10 °C	15 °C	20 °C

DCE-X 10/12 Premium						
10,0			3,2	3,6	4,1	4,8
12,0			3,8	4,3	4,9	5,7
	11,0		3,5	3,9	4,5	5,2
	13,1		4,2	4,7	5,3	6,2
		12,0	3,8	4,3	4,9	5,7
		14,3	4,5	5,1	5,8	6,8

### 17.4 Ámbitos de aplicación / tabla de conversión

Resistencia eléctrica específica y conductividad eléctrica específica.

Indicación estándar a 15 °C			20 °C			25 °C			
Resistencia	Conductividad $\sigma \leq$		Resistencia	Conductividad $\sigma \leq$		Resistencia	Conductividad $\sigma \leq$		
$\rho \geq$	$\Omega\text{cm}$	$\mu\text{S/cm}$	$\rho \geq$	$\Omega\text{cm}$	$\mu\text{S/cm}$	$\rho \geq$	$\Omega\text{cm}$	$\mu\text{S/cm}$	
	1100	91	910	970	103	1031	895	112	1117

### 17.5 Pérdida de presión

#### Grifería/valvulería

Pérdida de presión de la grifería/valvulería a un caudal de 10 L/min		
Mezclador monomanual, aprox.	MPa	0,04 - 0,08
Valvulería del termostato, aprox.	MPa	0,03 - 0,05
Cabezal de la ducha, aprox.	MPa	0,03 - 0,15

#### Dimensionado de la red de tuberías

Para calcular el dimensionado de la red de tuberías se recomienda una pérdida de presión de 0,1 MPa para el aparato.

### 17.6 Condiciones en caso de avería

En la instalación pueden aparecer, en caso de avería y de forma breve, cargas de máx. 80 °C con una presión de 1,0 MPa.

### 17.7 Datos sobre el consumo energético

Hoja de datos del producto: Calentador convencional según el reglamento (UE) n.º 812/2013 | 814/2013

		DCE-X 6/8 Premium	DCE-X 10/12 Premium
		238158	238159
Fabricante		STIEBEL ELTRON	STIEBEL ELTRON
Perfil de carga		XS	XS
Clase de eficiencia energética		A	A
Rendimiento energético	%	39	39
Consumo anual de corriente	kWh	472	473
Ajuste de temperatura de fábrica	°C	60	60
Nivel de potencia acústica	dB(A)	15	15
Notas especiales para medir la eficiencia		Medido a nivel ECO con caudal máximo, potencia máxima y valor de referencia máximo.	Medido a nivel ECO con caudal máximo, potencia máxima y valor de referencia máximo.
Consumo diario de corriente	kWh	2,161	2,167

## 17.8 Tabla de especificaciones

		DCE-X 6/8 Premium			DCE-X 10/12 Premium		
		238158			238159		
<b>Especificaciones eléctricas</b>							
Tensión de alimentación	V	220	230	240	220	230	240
Potencia nominal	kW	6,0/8,0	6,6/8,7	7,2/9,6	10,0/12,0	11,0/13,1	12,0/14,3
Corriente nominal	A	27,3/36,4	28,5/38,0	30,0/40,0	45,5/54,5	47,8/57,0	50,0/59,5
Protección	A	30/40			50/60		
Frecuencia	Hz	50/60			50/60		
Fases		1/N/PE			1/N/PE		
Resistencia específica $\rho_{15} \geq$	$\Omega$ cm	1100			1100		
Conductividad específica $\sigma_{15} \leq$	$\mu S/cm$	910			910		
Impedancia máx. de red a 50 Hz	$\Omega$	0,0385	0,0368	0,0353	0,0257	0,0245	0,0235
<b>Conexiones</b>							
Conexión de agua		G 1/2 A			G 1/2 A		
<b>Límites de utilización</b>							
Presión máx. admisible	MPa	1			1		
Temperatura de admisión máx. para postcalentamiento	$^{\circ}C$	55			55		
Ámbito de ajuste de temperatura	$^{\circ}C$	Off, 20-60			Off, 20-60		
<b>Valores</b>							
Temperatura de admisión máx. (p. ej., desinfección térmica)	$^{\circ}C$	70			70		
On	l/min	1,3			1,3		
Caudal con 28 K	l/min	3,1/4,1 a 220 V			5,1/6,2 a 220 V		
Caudal con 50 K	l/min	1,7/2,3 a 220 V			2,9/3,5 a 220 V		
Pérdida de presión para caudal con 50 K (sin limitador de flujo)	MPa	0,01/0,01			0,02/0,03		
<b>Especificaciones hidráulicas</b>							
Contenido nominal	l	0,277			0,277		
<b>Ejecuciones</b>							
Tipo de montaje		Sobre mesa/bajo mesa			Sobre mesa/bajo mesa		
Potencia conectada seleccionable		X			X		
Clase de protección		1			1		
Bloque de aislamiento		Plástico			Plástico		
Sistema de calefacción con generador de calor		Alambre desnudo			Alambre desnudo		
Tapa y pared posterior		Plástico			Plástico		
Color		Blanco			Blanco		
Tipo de protección (IP)		IP25			IP25		
<b>Dimensiones</b>							
Altura	mm	372			372		
Anchura	mm	217			217		
Profundidad	mm	109			109		
<b>Pesos</b>							
Peso	kg	2,5			2,5		



### Nota

El aparato cumple la norma IEC 61000-3-12.

## Garantía

Para los aparatos adquiridos fuera de Alemania no son aplicables las condiciones de garantía de nuestras sociedades alemanas. Además, en los países en los que alguna de nuestras filiales comercialice nuestros productos, la garantía sólo será otorgada por dicha filial. Este tipo de garantía únicamente se otorgará si la filial hubiera publicado unas condiciones de garantía propias. No se otorgará ninguna garantía adicional.

No otorgamos ninguna garantía para aquellos aparatos adquiridos en países en los que ninguna de nuestras filiales comercialicen nuestros productos. Cualquier garantía asegurada por el importador permanecerá inalterada.

## Medio ambiente y reciclado

Colabore para proteger nuestro medio ambiente. Elimine los materiales después de su uso conforme a la normativa nacional vigente.

## POSEBNE NAPOMENE

### UKLOP

<b>1. Opće napomene</b>	<b>62</b>
1.1 Sigurnosne napomene	62
1.2 Druge oznake u ovoj dokumentaciji	62
1.3 Mjerne jedinice	62
<b>2. Sigurnost</b>	<b>62</b>
2.1 Namjenska uporaba	62
2.2 Opće sigurnosne napomene	62
2.3 Ispitni znak	63
<b>3. Opis uređaja</b>	<b>63</b>
<b>4. Namještanja i prikazi</b>	<b>63</b>
4.1 Upravljačko polje	63
4.2 Simboli na zaslonu	63
4.3 Namještanje zadane temperature	64
4.4 Ograničenje temperature pomoću interne zaštite od oparina (stručni serviser)	64
4.5 Ograničenje temperature Tmax (korisnik)	64
4.6 Označavanje tipki za memoriranje temperature	64
4.7 Napomena za temperaturu ulazne vode	64
4.8 Izbornik s informacijama	64
4.9 Postavke izbornika za parametre	65
4.10 Preporuke za namještanje	66
<b>5. Čišćenje, njega i održavanje</b>	<b>66</b>
<b>6. Otklanjanje problema</b>	<b>67</b>

### INSTALACIJA

<b>7. Sigurnost</b>	<b>67</b>
7.1 Opće sigurnosne napomene	67
7.2 Pogon tuša	67
7.3 Propisi, norme i odredbe	67
<b>8. Opis uređaja</b>	<b>68</b>
8.1 Opseg isporuke	68
8.2 Pribor	68
<b>9. Pripreme</b>	<b>68</b>
9.1 Mjesto montaže	68
9.2 Minimalni razmaci	68
9.3 Vodoinstalacija	68
<b>10. Montaža</b>	<b>69</b>
10.1 Standardna nadžbukna montaža	69
<b>11. Puštanje u rad</b>	<b>70</b>
11.1 Interna zaštita od oparotina preko utora za prenosnik	70
11.2 Promjena priključne snage pomoću utičnog mjesta prenosnika	70
11.3 Prvo puštanje u rad	70
11.4 Ponovno puštanje u rad	71
<b>12. Stavljanje izvan pogona</b>	<b>71</b>
<b>13. Alternativna montaža</b>	<b>71</b>
13.1 Električni priključak gore, nadžbukna montaža	71
13.2 Električni priključak dolje, podžbukna montaža	72
13.3 Električni priključak kod prekratkog mrežnog priključnog kabela	72
13.4 Električni priključak kod nadžbukne montaže bočno	72

13.5 Podžbukna instalacija vode	72
13.6 Rad s unaprijed zagrijanom vodom	73
<b>14. Servisne informacije</b>	<b>73</b>
<b>15. Otklanjanje kvarova</b>	<b>74</b>
15.1 Prikaz koda greške	74
<b>16. Održavanje</b>	<b>75</b>
16.1 Pražnjenje uređaja	75
16.2 Čišćenje sita	75
<b>17. Tehnički podatci</b>	<b>76</b>
17.1 Mjere i priključci	76
17.2 Električna spojna shema	76
17.3 Učinak tople vode	76
17.4 Područja primjene/Tablica za preračunavanje	77
17.5 Pad tlaka	77
17.6 Uvjeti u slučaju smetnje	77
17.7 Podatci o potrošnji energije	77
17.8 Tablica s podacima	78

### JAMSTVO

### OKOLIŠ I RECIKLIRANJE

## POSEBNE NAPOMENE

- Uređaj mogu upotrebljavati djeca starija od 3 godina te osobe smanjenih fizičkih, osjetilnih ili mentalnih sposobnosti ili osobe s nedovoljnim iskustvom i znanjem ako su pod nadzorom ili su upućene u sigurnu uporabu uređaja te shvaćaju opasnosti koje bi mogle nastati. Djeca se ne smiju igrati s ovim uređajem. Djeca ne smiju bez nadzora obavljati čišćenje i održavanje koje inače provodi korisnik.
- Tijekom rada slavina se može zagrijati na temperaturu do najviše 70 °C. Kod temperatura izlazne vode većih od 43 °C postoji opasnost od oparina.
- Ovaj je uređaj prikladan za opskrbu tuša (pogon tuša). Ako se uređaj koristi i za pogon tuša ili isključivo za pogon tuša, stručni servisier mora namjestiti područje namještanja temperature preko interne zaštite od oparotina u uređaju na 55 °C. Pri korištenju unaprijed zagrijane vode mora se osigurati da nije prekoračena temperatura ulazne vode od 55 °C.
- Uređaj se na svim polovima mora moći odvojiti od mrežnog priključka preko rastavne dionice od najmanje 3 mm.
- Navedeni napon mora odgovarati dovodu napona.
- Uređaj mora biti priključen na zaštitni vodič.
- Uređaj mora biti trajno priključen na fiksno ožičenje.
- Pričvrstite uređaj na način opisan u poglavlju „Instalacija/Montaža“.
- Poštujte maksimalni dopušteni tlak (vidi poglavlje „Instalacija/Tehnički podatci/Tablica s podacima“).
- Ne smije se prekoračiti donja granica specifičnog otpora vode iz vodoopskrbne mreže (vidi poglavlje „Instalacija/Tehnički podatci/Tablica s podacima“).

- Ispraznite uređaj na način opisan u poglavlju „Instalacija/Održavanje/Pražnjenje uređaja“.

# RUKOVANJE

## 1. Opće napomene

Poglavlja „Posebne napomene“ i „Rukovanje“ namijenjena su korisniku uređaja i stručnom serviseru.

Poglavlje „Instalacija“ namijenjeno je stručnom serviseru.



### Napomena

Prije uporabe uređaja pažljivo pročitajte ove upute i sačuvajte ih.

Upute po potrebi predajte sljedećem korisniku.

### 1.1 Sigurnosne napomene

#### 1.1.1 Struktura sigurnosnih napomena



#### SIGNALNA RIJEČ Vrsta opasnosti

Ovdje su navedene moguće posljedice u slučaju nepoštovanja sigurnosnih napomena.

► Ovdje su navedene mjere za suzbijanje opasnosti.

#### 1.1.2 Simboli, vrsta opasnosti

Simbol	Vrsta opasnosti
	Ozljeda
	Strujni udar
	Opekline (opeklina, oparina)

#### 1.1.3 Signalne riječi

SIGNALNA RIJEČ	Značenje
OPASNOST	Napomene čije nepoštovanje dovodi do teških ozljeda ili smrti.
UPOZORENJE	Napomene čije nepoštovanje dovodi do teških ozljeda ili smrti.
OPREZ	Napomene čije nepoštovanje može dovesti do srednje teških ili lakih ozljeda.

## 1.2 Druge oznake u ovoj dokumentaciji



### Napomena

Opće napomene označene su ovim simbolom.

► Pažljivo pročitajte tekst napomena.

Simbol	Značenje
	Materijalna šteta (šteta na uređaju, posljedična šteta, šteta za okoliš)
	Zbrinjavanje uređaja na otpad

► Ovaj simbol ukazuje na ono što je potrebno napraviti. Potrebne radnje opisane su korak po korak.

## 1.3 Mjerne jedinice



### Napomena

Ako nije drugačije navedeno, sve su mjere izražene u milimetrima.

## 2. Sigurnost

### 2.1 Namjenska uporaba

Ovaj uređaj služi za zagrijavanje pitke vode ili za dogrijavanje već zagrijane vode. Ovaj uređaj može opskrbljivati jedno ili više ispusnih mjesta.

Kad se prekorači maksimalna temperatura ulazne vode za dogrijavanje, ne provodi se dogrijavanje.

Uređaj je predviđen za primjenu u kućanstvu. Neupućene osobe uređajem mogu sigurno rukovati. Izvan kućanstva, npr. u malom obrtu, uređaj se također može primjenjivati, ako se primjena provodi na isti način.

Svaka druga uporaba ili uporaba koja prelazi te granice nije namjenska. Namjenska uporaba podrazumijeva i poštovanje ovih uputa te naputaka za korišteni pribor.

### 2.2 Opće sigurnosne napomene



#### OPREZ opekline

Tijekom rada slavina se može zagrijati na temperaturu do najviše 70 °C.

Kod temperatura izlazne vode većih od 43 °C postoji opasnost od oparina.



#### OPREZ opekline

Ako se ovim uređajem koriste djeca ili osobe ograničenih tjelesnih, osjetilnih ili mentalnih sposobnosti, namjestite ograničenje temperature. Provjerite ispravnu funkciju namještenog ograničenja temperature.

Kada je potrebno trajno i nepromjenjivo ograničenje temperature, stručni serviser neka vam namjesti internu zaštitu od oparina.





### OPREZ opekline

Pri radu s unaprijed zagrijanom vodom, npr. pri korištenju solarnog sustava, poštujujte sljedeću napomenu: Temperatura tople vode može prekoračiti namještenu zadanu temperaturu odn. namješteno ograničenje temperature.

- ▶ U tom slučaju ograničite temperaturu na predspojenoj središnjoj termostatskoj slavini.



### UPOZORENJE ozljeda

Uređaj mogu upotrebljavati djeca starija od 3 godina te osobe smanjenih fizičkih, osjetilnih ili mentalnih sposobnosti ili osobe s nedovoljnim iskustvom i znanjem ako su pod nadzorom ili su upućene u sigurnu uporabu uređaja te shvaćaju opasnosti koje bi mogle nastati. Djeca se ne smiju igrati s ovim uređajem. Djeca ne smiju bez nadzora obavljati čišćenje i održavanje koje inače provodi korisnik.



### Materijalna šteta

Uređaj i slavinu korisnik mora zaštititi od smrzavanja.



### Napomena

Da biste osigurali vrstu zaštite IP 25, za pričvršćenje uređaja na zid morate upotrijebiti vijke s upuštenom glavom.

## 2.3 Ispitni znak

Pogledajte natpisnu pločicu na uređaju.

## 3. Opis uređaja

Čim otvorite ventil za toplu vodu na slavini, uređaj se automatski uključuje. Ako zatvorite slavinu, uređaj se ponovno automatski isključuje.

Ovaj uređaj zagrijava vodu dok ona protječe kroz njega. Zadanu temperaturu je moguće namjestiti. Od neke utvrđene količine protoka regulacija ovisno o namještenoj temperaturi i temperaturi hladne vode uključuje potrebnu snagu grijanja.

Potpuno elektronički regulirani protočni grijač s automatskom prilagodbom snage održava temperaturu istjecanja konstantnom. Voda se precizno na stupanj zagrijava preko potpuno elektroničke regulacije s ventilom motora do namjeshene temperature. To se događa neovisno o temperaturi ulazne vode.

Ako se uređaj upotrebljava s unaprijed zagrijanom vodom i temperatura ulazne vode prekorači namještenu temperaturu, temperatura ulaza prikazuje se u drugom redu zaslona i treperi. Voda se dalje ne zagrijava.

Možete pohraniti i brzo pozvati različite zadane temperature. U ECO funkciji ugrađeni ventil motora ograničava količinu protoka na 3 unaprijed namjeshene razine. Uređaj raspolaže mogućnostima namještanja za ograničenje temperature (funkcija Tmax, korisnik) i zaštitom od oparina (stručni serviser). Pozadinsko osvjetljenje automatski se namješta čim voda počne teći kroz uređaj ili ako izvršite promjenu na upravljačkoj jedinici. Pozadinsko osvjetljenje automatski se isključuje ako ne aktivirate upravljačku jedinicu i nakon završenog korištenja.

## Sustav grijanja

Sustav grijanja s neizoliranim žicama obložen je plastičnim omotačem otpornim na tlak. Ovaj sustav grijanja s grijačem spiralom od nehrđajućeg čelika prikladan je za vodu s malo i za vodu s puno kamenca, na kamenac je poprilično neosjetljiv. Sustav grijanja se brine za brzu i efikasnu opskrbu toplom vodom.

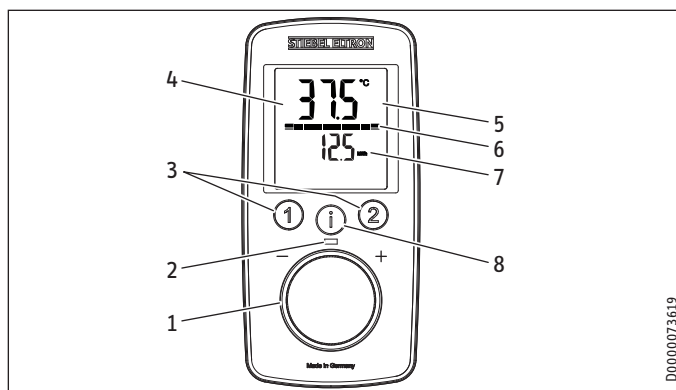


### Napomena

Ovaj je uređaj opremljen prepoznavanjem zraka koje u znatnoj mjeri sprječava oštećenje sustava grijanja. Ako tijekom rada u uređaj dospije zrak, uređaj na jednu minutu isključuje snagu grijanja i tako štiti sustav grijanja.

## 4. Namještanja i prikazi

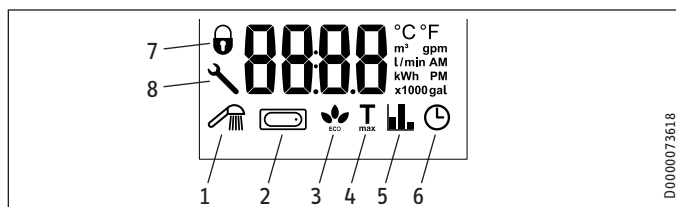
### 4.1 Upravljačko polje



- 1 Gumb za namještanje
- 2 Radno LED svjetlo (treperi pri postizanju granice snage)
- 3 Tipke za memoriranje temperature
- 4 Zaslona s pozadinskim osvjetljenjem
- 5 Glavni prikaz | Prikaz s informacijama | Prikaz parametara
- 6 Prikaz segmenta [10 - 100 %]
- 7 Drugi red zaslona
- 8 Tipka „i“ za poziv informacija i odabir izbornika

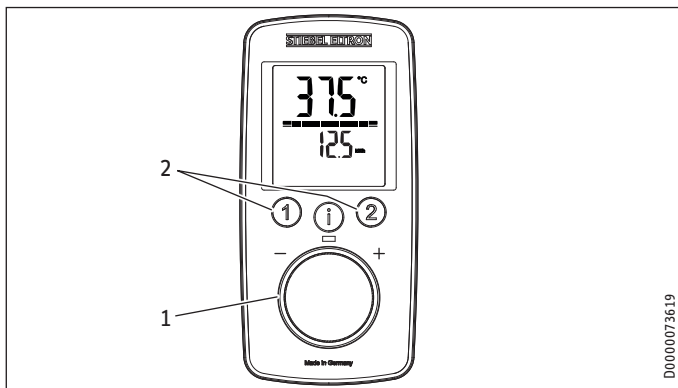
### 4.2 Simboli na zaslonu

Pri aktiviranju se na zaslonu prikazuju simboli.



- 1 Wellness tuširanje
- 2 Automatika za kontrolu količine vode
- 3 Prikaz ECO
- 4 Tmax, prikaz pri aktiviranom ograničenju temperature
- 5 Prikaz potrošnje
- 6 Vrijeme
- 7 Blokada rukovanja [uklj/isklj]
- 8 Vijčani ključ, prikazuje se u slučaju pogreške uređaja

### 4.3 Namještanje zadane temperature



- 1 Postavka zadane temperature: OFF, 20 - 60 °C
- 2 Pozivanje/bilježenje željenih temperatura

Postavke			
Postavka	Korak	Postavka	Korak
20 °C ... 60 °C	0,5 °C	68 °F ... 140 °F	1 °F

### 4.4 Ograničenje temperature pomoću interne zaštite od oparina (stručni serviser)

Po želji stručni serviser može namjestiti trajno ograničenje temperature, npr. u vrtićima, bolnicama itd.

Kod opskrbe tuša stručni serviser mora ograničiti područje namještanja temperature u uređaju na 55 °C ili na nižu temperaturu.

Kad se pri aktiviranoj funkciji zaštite od oparotina postigne namještena vrijednost temperature, treperi „Tmax“.

### 4.5 Ograničenje temperature Tmax (korisnik)

Ograničenje temperature možete namještat individualno. Pri aktiviranju ograničenja temperature na zaslonu se prikazuje „Tmax“.

#### Aktiviranje/deaktiviranje ograničenja temperature Tmax

Pogledajte poglavlje „Postavke izbornika parametara“.

### 4.6 Označavanje tipki za memoriranje temperature

Tipkama za memoriranje „1“ i „2“ možete dodijeliti željenu temperaturu.

- ▶ Odaberite željenu temperaturu.
- ▶ Za memoriranje željene temperature držite pritisnutom dulje od 3 sekunde tipku „1“ ili „2“. Odabrana se temperatura potvrđuje uz treperenje 1x.

### 4.7 Napomena za temperaturu ulazne vode

Ako se uređaj koristi s unaprijed zagrijanom vodom i temperatura ulazne vode prekorači namještenu zadanu temperaturu, temperatura ulaza prikazuje se u drugom redu zaslona i treperi. Voda se dalje ne zagrijava.

### 4.8 Izbornik s informacijama

Uređaj ima sporedni prikaz na kojem se mogu prikazivati vrijednosti potrošnje.

#### 4.8.1 Pozivanje izbornika s informacijama

- ▶ Kratko pritisnite tipku „i“ dok se ne pojavi „i 1“ te potom još jednom pritisnite tipku „i“.
- ▶ Napustite točku izbornika tako što ćete tipku „i“ držati pritisnutom dulje od 5 sekundi. Alternativno: 30 sekundi nakon završetka namještanja točka izbornika se automatski isključuje.

Izbor-nik	Opis	Objašnjenja	Prikaz   Zaslon
I 1	Protok	Prikaz aktualne količine protoka.	Vrijednost protoka u l/min ili gpm
I 2	Vrijeme	Prikaz aktualnog sata.	Vrijeme
I 3	Potrošnja energije	Prikazuje se utrošena količina energije.	Vrijednost u kWh
I 4	Potrošnja vode	Prikazuje se utrošena količina vode.	Vrijednost u m <sup>3</sup> ili gal



#### Napomena

Vrijednost potrošnje izračunava se počevši od posljednjeg resetiranja.

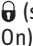


### 4.9 Postavke izbornika za parametre

#### 4.9.1 Aktiviranje izbornika za parametre

- ▶ Držite tipku „i“ pritisnutom dulje od 5 sekundi, pojavljuje se „P 1“ te potom pritisnite tipku „i“.
- ▶ U odabranom izborniku za parametre odaberite gumb za namještanje temperature na željeni prikaz/postavku.

#### 4.9.2 Izbornik za parametre

Izbor-nik	Opis	Prikaz koji se može izabrati   Postavka	Objašnjenja	Simbol   Za-slon
P 1	ECO funkcija uštede vode i energije	OFF   ECO1   ECO2   ECO3	S ECO funkcijom količinu protoka možete ograničiti na maksimalnu vrijednost. Ograničenje količine protoka: 6 l/min pri „ECO1“   5 l/min pri „ECO2“   4 l/min pri „ECO3“   bez ograničenja količine protoka pri „OFF“.	
P 2	Ograničenje temperature Tmax	OFF   20,0   20,5 ... °C ili 68   69 ... °F	S ograničenjem temperature kao korisnik možete ograničiti namjesticu zadanu temperaturu na uređaju na maksimalnu vrijednost. Prekontrolirajte je li gornja granica temperature pravilno preuzeta. Serviser dodatno može namjestiti temperaturu za zaštitu od oparotina. Ta temperatura potom važi kao gornja granica područja namještanja za ograničenje temperature.	
P 3	Wellness tuširanje	OFF   Pro1   Pro2   Pro3   Pro4	U programu Wellness tuširanja možete birati 4 različita programa za izmjenjivo tuširanje. WW = topla voda, KW = hladna voda, min = minute, s = sekunde - 1 Prevencija prehlade Za poticanje otpornosti preporučujemo za dovršetak hladno tuširanje; time se u tijelu započinje zagrijavanje u vidu refleksa.  - 2 Zimsko osvježenje Kao osvježavajući dovršetak zimskog tuširanja s ponovnim zagrijavanjem.  - 3 Ljetni fitness program Brzo izmjenjivo tuširanje za stimuliranje kondicije sa završnim ponovnim zagrijavanjem.  - 4. Program cirkulacije Za stimuliranje cirkulacije ruke i noge se tuširaju hladnom vodom. Pritom tuširanje treba provesti tako da se započne s pranjem ruku i stopala te zatim i tijela. Ovaj postupak potom možete ponoviti s toplom vodom. 	
P 4	Namještanje automatike za količinu vode i volumena u izabranoj jedinici	OFF   5   10   ... 200   ili 2 ... 52 gal	Pomoću automatike za količinu vode možete unaprijed odabrati količinu vode, npr. za punjenje kade. Kada se postigne unaprijed namještena količina vode, automatika smanjuje protok. Automatiku za količinu vode morate aktivirati prije svakog punjenja kade. Primjer punjenja kade od 80 litri (21 gal): Nakon dovršetka punjenja kade od 80 litri (21 gal) automatika reducira količinu protoka na 4 l/min (1 gpm).	
P 5	Jedinica temperature	C   F	Odaberite jedinicu temperature za sva namještanja.	°C   °F
P 6	Jedinica volumena	L   GAL	Odaberite jedinicu volumena za sva namještanja.	l   gal
P 7	Format sata	24h   12h	Odaberite format sata.	

Izbornik	Opis	Prikaz koji se može izabrati   Postavka	Objašnjenja	Simbol   Zaslona
P 8	Postavka sata	---:--	Možete namjestiti sat na 12 ili 24 sata: - 12 sati od 00:00 - 11:59 h = AM   11:59 - 00:00 h = PM - 24 sata od 00:00 do 23:59 sati Nakon prekida napona ponovno morate namjestiti aktualni sat.	AM   PM (samo kod 12h)
P 9	Blokada rukovanja	On   OFF	Blokadu rukovanja možete namjestiti na „On“ ili „OFF“. Deaktivirajte namještenu blokadu rukovanja: ▶ Držite tipku „i“ pritisnutom dulje od 12 sekundi.	 (samo kod On)
P 10	Resetiranje na tvorničku postavku	Reset (rSEt)	Uređaj možete resetirati na tvorničke postavke. Na zaslonu se prikazuje „rSEt“. ▶ Istodobno držite pritisnutim tipke „1“ i „2“ dulje od 5 sekundi. Prikaz se prebacuje na „On“ radi potvrde resetiranja. ▶ Za potvrdu „On“ držite pritisnutom tipku „i“ dulje od 5 sekundi.	
P 11	Resetiranje vrijednosti potrošnje	Reset (rSEt    )	Možete resetirati vrijednosti potrošnje. Na zaslonu se prikazuje „rSEt“. ▶ Istodobno držite pritisnutim tipke „1“ i „2“ dulje od 5 sekundi. Prikaz se prebacuje na „On“ radi potvrde resetiranja. ▶ Za potvrdu „On“ držite pritisnutom tipku „i“ dulje od 5 sekundi.	
P 12	Pozadinsko osvjetljenje	Auto   On	Možete namjestiti pozadinsko osvjetljenje zaslona. - Pri odabiru „Auto“ pozadinsko se osvjetljenje uključuje pri pogonu grijanja i pri svakom rukovanju. Nakon 30 sekundi bez rukovanja pozadinsko se osvjetljenje ponovo isključuje. - Kod odabira „On“ pozadinsko osvjetljenje trajno svijetli.	
P 13	Prigušenje pozadinskog osvjetljenja	100 %   20 % (  )	Za svjetlinu pozadinskog osvjetljenja možete odabrati 2 stupnja.	

### 4.9.3 Deaktiviranje izbornika za parametre

- ▶ Napustite točku izbornika tako što ćete tipku „i“ držati pritisnutom dulje od 5 sekundi. Alternativno: 30 sekundi nakon završetka namještanja točka izbornika se automatski isključuje.

### 4.10 Preporuke za namještanje

Vaš protočni grijač osigurava maks. točnost i maks. komfor u pripremi tople vode. Ako ipak trebate koristiti svoj uređaj s termostatskom slavinom, preporučujemo:

- ▶ Namjestite zadanu temperaturu na uređaju na vrijednost veću od 50 °C. Zatim željenu zadanu temperaturu namjestite na termostatskoj slavini.

### Ušteda energije

Najmanje energije troši se pri sljedećim postavkama koje preporučujemo:

- 38 °C za mali umivaonik za ruke, tuš, kadu
- 55 °C za sudoper

### Interna zaštita od oparotina (serviser)

Po želji stručni serviser može namjestiti trajno ograničenje temperature, npr. u vrtićima, bolnicama itd.

### Preporuka za namještanje pri radu s termostatskom slavinom i solarno već zagrijanom vodom

- ▶ Namjestite temperaturu na uređaju na maksimalnu temperaturu.

### Nakon prekida vodoopskrbe



#### Materijalna šteta

Da ne bi došlo do oštećenja sustava grijanja s neizoliranim žicama nakon prekida vodoopskrbe, uređaj morate ponovno pustiti u rad prateći sljedeće korake.

- ▶ Odvojite uređaj od izvora napona isključivanjem osigurača.
- ▶ Otvorite slavinu na jednu minutu dok u uređaju i unaprijed spojenom dovodnom vodu hladne vode više ne bude zraka.
- ▶ Ponovno uključite dovod napona.

## 5. Čišćenje, njega i održavanje

- ▶ Ne upotrebljavajte sredstva za čišćenje koja grebu ili otapaju. Za njegu i čišćenje uređaja dovoljna je vlažna krpa.
- ▶ Redovito kontrolirajte slavine. Kamenac na izlazu slavina možete ukloniti običnim sredstvima za uklanjanje kamenca.

## 6. Otklanjanje problema

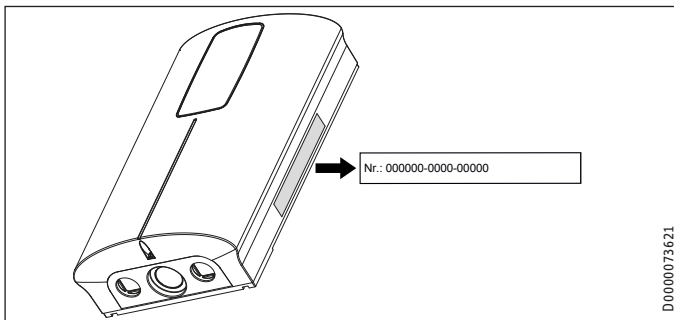
Problem	Uzrok	Rješenje
Uređaj se ne uključuje iako je ventil za toplu vodu do kraja otvoren.	Nema napona.	Provjerite osigurače u kućnoj instalaciji.
	Na regulatoru mlaza u slavini ili na glavi tuša nakupili su se kamenac ili onečišćenja.	Očistite mlazni regulator ili glavu tuša i/ili uklonite kamenac iz njih.
	Došlo je do prekida vodoopskrbe.	Odzračite uređaj i dovedni vod hladne vode.
Dok se crpi topla voda, nakratko istječe hladna voda.	Prepoznavanje zraka detektira zrak u vodi. Ono kratkotrajno isključuje grijanje.	Nakon 1 minute uređaj samostalno počinje ponovno raditi.
Željena se temperatura ne može namjestiti.	Ograničenje temperature i/ili interna zaštita od oparotina je aktivirana.	Deaktivirajte ograničenje temperature. Internu zaštitu od oparotina može mijenjati samo servisier.
Količina protoka je premala.	ECO funkcija je aktivirana.	Namjestite neku drugu ECO razinu ili deaktivirajte ECO funkciju.
Na upravljačkoj jedinici ne možete obaviti nikakva namještanja.	Aktivirana je blokada rukovanja.	Za deaktiviranje blokade rukovanja držite tipku „i“ pritisnutom dulje od 12 sekundi.



### Napomena

Prikazi na upravljačkoj jedinici i izabrane postavke ostaju zadržane nakon prekida dovoda napona (iznimka sat).

Ako ne možete otkloniti uzrok, pozovite stručnog servisera. Radi bolje i brže pomoći priopćite mu broj natpisne pločice (000000-0000-000000).



## INSTALACIJA

### 7. Sigurnost

Instalaciju, puštanje u rad, održavanje i popravak uređaja smije provoditi samo stručni servisier.

#### 7.1 Opće sigurnosne napomene

Jamčimo besprijekoran rad i radnu sigurnost samo ako su upotrijebljeni originalni pribor namijenjen uređaju i originalni rezervni dijelovi.



#### Materijalna šteta

Pridržavajte se maksimalne temperature ulazne vode. Kod viših temperatura može doći do oštećenja uređaja. Ugradnjom središnje termostatske slavine možete ograničiti maksimalnu temperaturu ulazne vode.



#### UPOZORENJE strujni udar

Ovaj uređaj sadržava kondenzatore koji se prazne nakon odvajanja od strujne mreže. Napon pražnjenja kondenzatora kratkotrajno event. može iznositi > 60 V DC.

#### 7.2 Pogon tuša



#### OPREZ opekina

► Pri opskrbi tuša namjestite internu zaštitu od oparina na 55 °C ili manje, pogledajte poglavlje „Puštanje u rad/Pripreme“.



#### OPREZ opekina

Pri radu s naprijed zagrijanom vodom, npr. pri korištenju solarnog sustava, poštujujte sljedeću napomenu: Temperatura tople vode može prekoračiti namještenu zadanu temperaturu odn. namješteno ograničenje temperature.

► U tom slučaju ograničite temperaturu na predspojenoj središnjoj termostatskoj slavini.

#### 7.3 Propisi, norme i odredbe



#### Napomena

Obratite pozornost na sve nacionalne i regionalne propise i odredbe.

- Vrsta zaštite IP 25 (zaštićeno od mlaza vode) zajamčena je samo kad je kabelski tuljac propisno montiran i kada se upotrebljavaju vijci s upuštenom glavom Ø 4,5 mm s maks. promjerom glave od 9 mm.
- Specifični električni otpor vode ne smije biti niži od onog navedenog na natpisnoj pločici. Kod kombinirane vodoopskrbe mreže uzmete u obzir najniži električni otpor vode. Specifični električni otpor vode ili električnu provodljivost vode možete saznati od svojeg vodoopskrbnog poduzeća.

### 8. Opis uređaja

#### 8.1 Opseg isporuke

S uređajem se isporučuju:

- 2 dvostruke nazuvice od 45°
- 2 plosnate brtve
- 2 O-prstena
- kabelski tuljac
- sito
- premosnik za zaštitu od oparotina, utaknut
- Premosnik za prebacivanje snage, utaknut

#### 8.2 Pribor

##### Montažni komplet za podžbuknu instalaciju vode

Za podžbuknu instalaciju vode neophodni su dijelovi dodatnog pribora:

- 2 tuljka za brtvljenje otvora u poledini uređaja.
- sito s brtvenim rubom za ugradnju u dvostruku nazuvicu od 45°.
- Plosnata brtva

### 9. Pripreme

#### 9.1 Mjesto montaže



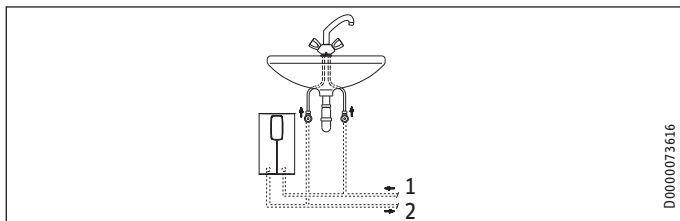
##### Materijalna šteta

Ovaj se uređaj smije instalirati samo u prostoriji zaštićenoj od smrzavanja.

- Montirajte uređaj okomito i u blizini ispusnog mjesta.

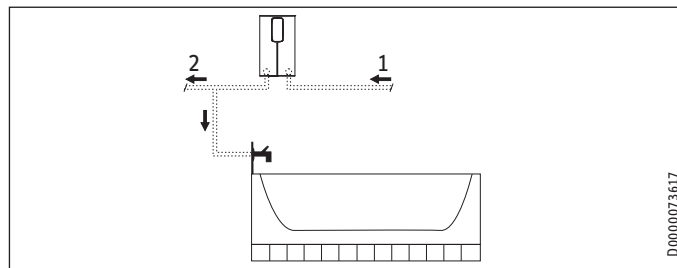
Ovaj je uređaj prikladan i za montažu iznad i za montažu ispod umivaonika.

##### Montaža ispod umivaonika



- 1 Ulazna hladna voda
- 2 Izlazna topla voda

##### Montaža iznad umivaonika



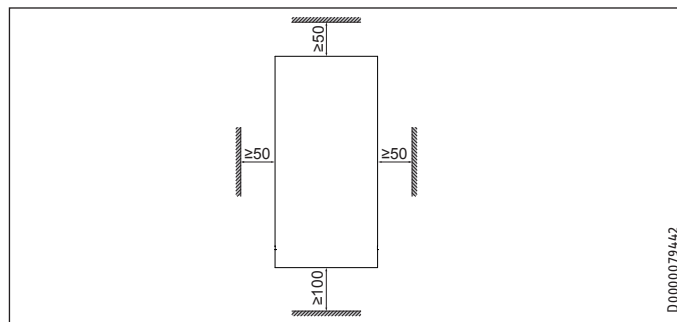
- 1 Ulazna hladna voda
- 2 Izlazna topla voda



##### Napomena

- Montirajte uređaj na zid. Zid mora imati dovoljnu nosivost.

#### 9.2 Minimalni razmaci



- Pridržavajte se minimalnih razmaka kako biste zajamčili rad bez smetnji i omogućili radove održavanja na uređaju.

#### 9.3 Vodoinstalacija



##### Materijalna šteta

Propisno izvedite sve radove priključivanja vode i instalacijske radove.

- Dobro isperite vodovodnu cijev.

##### Slavine

Koristite prikladne tlačne slavine. Nisu dopuštene otvorene slavine.

##### Dopušteni materijali vodovodnih cijevi

- Dovodni vod hladne vode:  
vruće pocinčana čelična cijev, cijev od plemenitog čelika, bakrena cijev ili plastična cijev
- Izlazni vod tople vode:  
cijev od plemenitog čelika, bakrena cijev ili plastična cijev



##### Materijalna šteta

Pri primjeni cijevnih sustava od plastike obratite pozornost na maksimalno dopuštenu temperaturu ulazne vode i maksimalno dopušteni tlak.



# INSTALACIJA

## Montaža

### Volumni protok

- Pobrinite se da se postigne volumni protok potreban za uključivanje uređaja.
- Ako se, dok je do kraja otvoren odvodni ventil, ne postigne potrebni volumni protok, povisite tlak u vodovodnoj cijevi.

## 10. Montaža

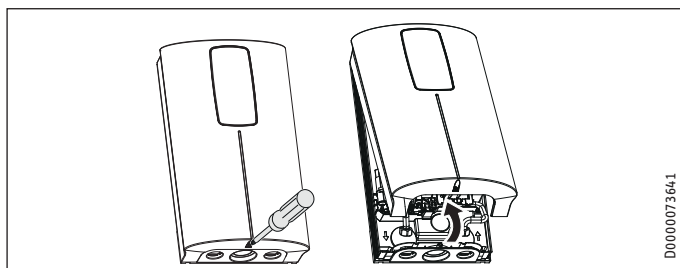
Tvorničke postavke	DCE-X 6/8 Premium	DCE-X 10/12 Premium
Interna zaštita od oparotina °C	60	60
Prikjučna snaga u kW	@ 220 V	8,0
	@ 230 V	8,7
	@ 240 V	9,6

Standardna montaža	DCE-X 6/8 Premium	DCE-X 10/12 Premium
Električni priključak dolje, nadžbukna instalacija dolje	x	x
Priključak za vodu kod nadžbukne instalacije	x	x

Za ostale mogućnosti montaže vidi poglavlje „Alternativna montaža“.

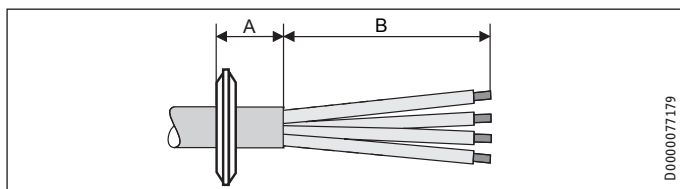
### 10.1 Standardna nadžbukna montaža

#### Otvaranje uređaja



- Otvorite uređaj popuštanjem vijka i zakretanjem poklopca uređaja.

#### Priprema mrežnog priključnog kabela

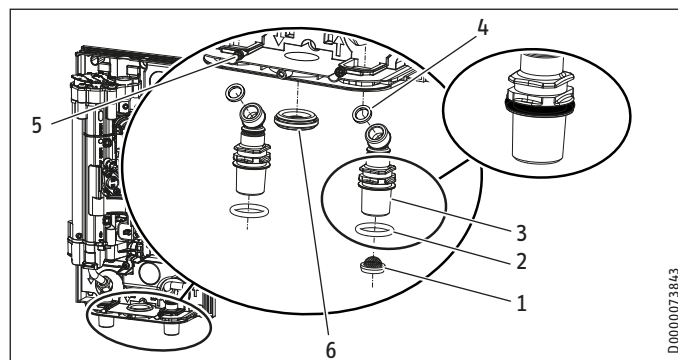


- Pripremite mrežni priključni kabela.

Pozicija nadžbukno	Mjera A	Mjera B
dolje, na sredini	30	120
dolje, lijeva strana uređaja	20	90
dolje, desna strana uređaja	20	90
gore, desna strana uređaja	20	80

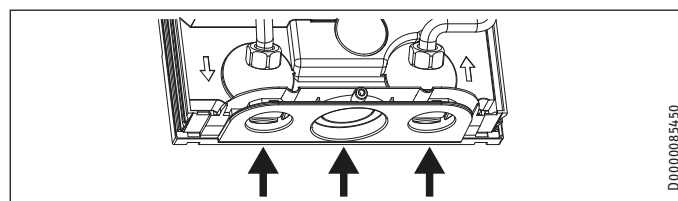
Pozicija podžbukno	Mjera A	Mjera B
dolje	20	90
gore	20	80

### Pripreme



- 1 sito
- 2 O-prsteni
- 3 dvostruke nazuvice pod 45°
- 4 plosnate brtve
- 5 sigurnosni vijci
- 6 kabelski tuljac

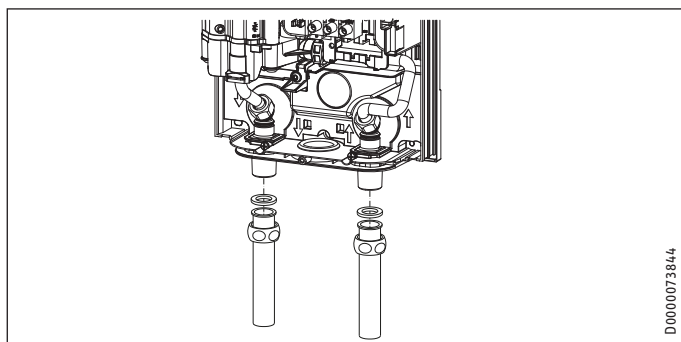
- Otpustite sigurnosne vijke.



- Kroz poledinu uređaja probijte/izbijte duž oznaka potrebne provodnice za mrežni priključni kabela i dvostruku nazuvicu. U tu svrhu upotrijebite prikladan plosnati alat. Oštre bridove izbrusite turpijom.
- Skinite transportne zaštitne čepove s cijevi za priključak vode.
- Prema izabranom priključnom vodu izrežite rupu u kabelskom tuljcu. Montirajte kabelski tuljac.
- Montirajte O-prstene u žlijeb dvostruke nazuvice.
- Utaknite dvostruke nazuvice u otvore na poledini uređaja i montirajte ih s plosnatim brtvama na priključne cijevi uređaja (pritezni moment 8 Nm).
- Osigurajte dvostruke nazuvice sigurnosnim vijcima.
- Montirajte sito u dvostruku nazuvicu od priključka za hladnu vodu.

#### Montaža uređaja

- Probijte/izbijte označene donje uzdužne provrte (razmak 175 mm) za pričvršćivanje uređaja (za položaje vidi poglavlje „Tehnički podatci/Mjere i priključci“) iz poledine uređaja. Oba gornja provrta za pričvršćenje već su otvorena.
- Ucrtajte 4 položaja za bušenje pomoću poledine uređaja.
- Izbušite provrte pa pričvrstite uređaj prikladnim materijalom za pričvršćivanje (vijci i pričvršnice ne spadaju u opseg isporuke): vijak s upuštenom glavom Ø 4,5 mm s maks. promjerom glave od 9 mm.



D0000073844

- ▶ Montirajte prikladnu tlačnu slavinu.
- ▶ Vijcima pričvrstite cijevi za priključak vode za slavinu (nisu sadržane u opsegu isporuke) s plosnatim brtvama na dvostrukim nazuvice.
- ▶ Otvorite zaporni ventil u dovodnom vodu hladne vode.

### Uspostava električnog priključka



**UPOZORENJE strujni udar**  
Propisno izvedite sve električne radove i radove priključivanja.



**UPOZORENJE strujni udar**  
Priključak na strujnu mrežu dopušten je samo kao fiksni priključak u kombinaciji s kabelskom provodnicom koja se može izvaditi. Uređaj se mora moći odvojiti od mrežnog priključka preko rastavne dionice od najmanje 3 mm na svim polovima.



**UPOZORENJE strujni udar**  
Pazite na to da uređaj bude priključen na zaštitni vodič.

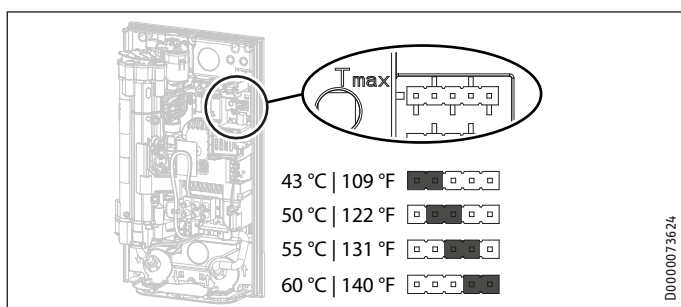


**Materijalna šteta**  
Obratite pozornost na natpisnu pločicu. Navedeni nazivni napon mora odgovarati dovodu napona.

- ▶ Gurnite mrežni priključni kabel kroz kabelski tuljac.
- ▶ Priključite mrežni priključni kabel na mrežnu priključnu stezaljku (vidi poglavlje „Instalacija/Tehnički podatci/Električna spojna shema“).

## 11. Puštanje u rad

### 11.1 Interna zaštita od oparotina preko utora za prenosnik



D0000073624

- ▶ Montirajte prenosnik na željenu poziciju pin letvice „Tmax“.

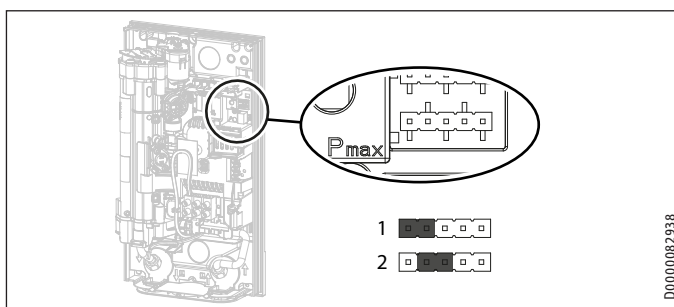
Pozicija prenosnika	Opis
43 °C   109 °F	npr. u vrtićima, bolnicama itd.
50 °C   122 °F	
55 °C   131 °F	maks. za pogon tuša
60 °C   140 °F	Tvornička postavka
bez prenosnika	Ograničenje 43 °C   109 °F



**OPREZ opekline**  
Pri radu s unaprijed zagrijanom vodom, npr. pri korištenju solarnog sustava, mogu se prekoračiti unutarnja zaštita od oparina i ograničenje temperature T<sub>max</sub> koje je namjestio korisnik.  
▶ U tom slučaju ograničite temperaturu na predspojenoj središnjoj termostatskoj slavinu.

### 11.2 Promjena priključne snage pomoću utičnog mjesta prenosnika

Kada na uređaju izaberete neku drugu priključnu snagu a ne onu koja je tvornički namještena, morate prespojiti prenosnik.



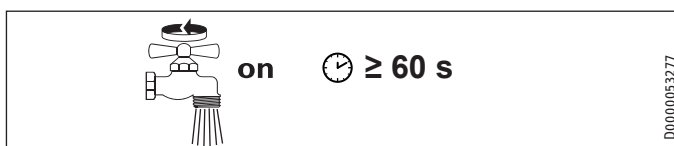
D0000082938

- ▶ Montirajte prenosnik na željenu poziciju pin letvice „Pmax“.

Pozicija prenosnika	Priključna snaga	
	DCE-X 6/8 Premium	DCE-X 10/12 Premium
1	@ 220 V	6,0 kW
	@ 230 V	6,6 kW
	@ 240 V	7,2 kW
2	@ 220 V	8,0 kW
	@ 230 V	8,7 kW
	@ 240 V	9,6 kW
bez prenosnika	@ 220 V	6,0 kW
	@ 230 V	6,6 kW
	@ 240 V	7,2 kW

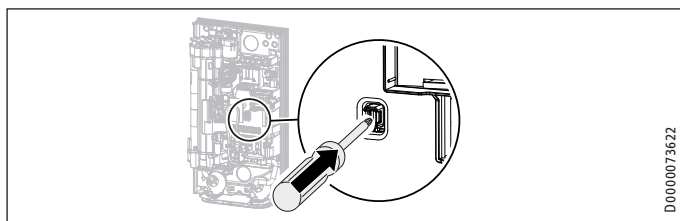
### 11.3 Prvo puštanje u rad

- ▶ Stavite križić pored odabrane snage priključivanja na natpisnoj pločici. U tu svrhu upotrijebite kemijsku olovku.



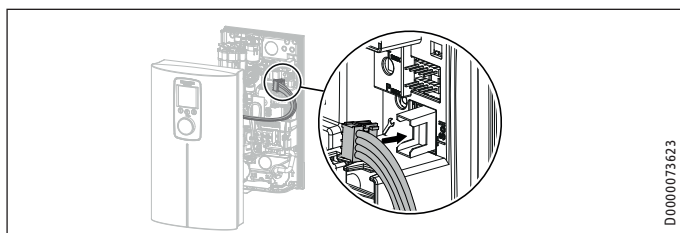
D0000053277

- ▶ Više puta otvorite pa zatvorite sve priključene ispusne ventile sve dok u mreži vodova i u uređaju više ne bude zraka.
- ▶ Provedite kontrolu nepropusnosti.



D0000073622

- ▶ Aktivirajte sigurnosnu sklopku tako što ćete čvrsto utisnuti tipku za resetiranje (uređaj se isporučuje s deaktiviranom sigurnosnom sklopkom).



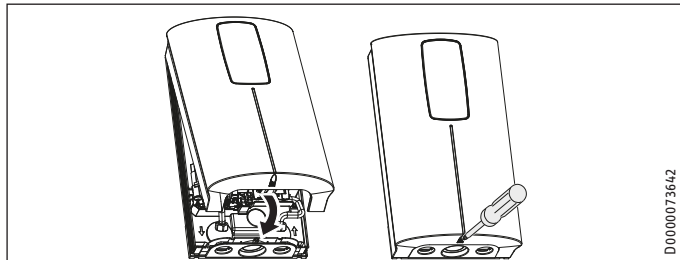
D0000073623

- ▶ Utaknite utikač spojnog kabela upravljačke jedinice na elektroniku.



### Napomena

Obvezno utaknite spojni kabel upravljačke jedinice na elektroniku prije nego što priključite napon. Upravljačka jedinica je inače izvan funkcije.



D0000073642

- ▶ Ovjesite poklopac uređaja na gornjoj strani iza poledine uređaja. Okrenite poklopac uređaja prema dolje. Provjerite naliježe li poklopac uređaja čvrsto i gore i dolje.
- ▶ Poklopac uređaja pričvrstite vijkom.
- ▶ Uklonite zaštitnu foliju s upravljačke jedinice.



D0000063281

- ▶ Uključite dovod napona.
- ▶ Uvjerite se da upravljačka jedinica propisno funkcionira.

### 11.3.1 Predaja uređaja

- ▶ Objasnite korisniku funkciju uređaja i upoznajte ga s uporabom uređaja.
- ▶ Upozorite korisnika na moguće opasnosti, posebno na opasnost od oparina.
- ▶ Predajte ove upute.

### 11.4 Ponovno puštanje u rad



#### Materijalna šteta

Da ne bi došlo do oštećenja sustava grijanja s neizoliranim žicama nakon prekida vodoopskrbe, uređaj morate ponovno pustiti u rad prateći sljedeće korake.

- ▶ Odvojite uređaj od izvora napona isključivanjem osigurača.
- ▶ Otvorite slavinu tijekom najmanje jednu minutu dok u uređaju i unaprijed spojenom dovodnom vodu hladne vode više ne bude zraka.
- ▶ Ponovno uključite dovod napona.

## 12. Stavljanje izvan pogona

- ▶ Odvojite uređaj na svim polovima od mrežnog priključka.
- ▶ Ispraznite uređaj (vidi poglavlje „Održavanje/Pražnjenje uređaja“).

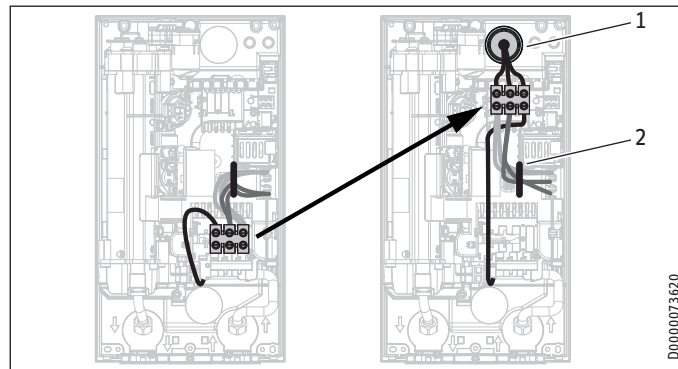
## 13. Alternativna montaža



#### UPOZORENJE strujni udar

Pri izvođenju svih radova odvojite uređaj na svim polovima od mrežnog priključka.

### 13.1 Električni priključak gore, nadžbukna montaža



D0000073620

- 1 kabelski tuljac
- 2 Kabelska provodnica

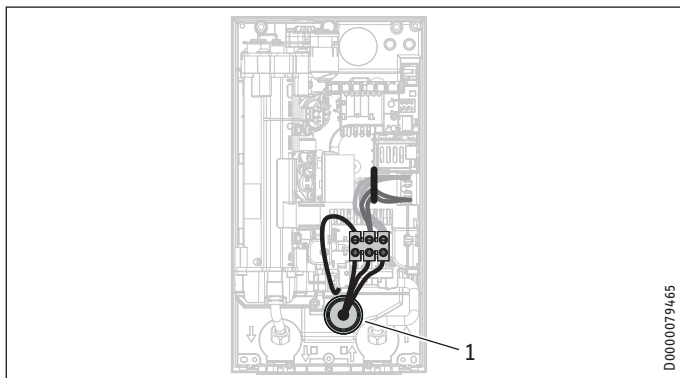
- ▶ Izbijte potrebnu provodnicu za mrežni priključni kabel iz poledine uređaja (za položaje vidi poglavlje „Tehnički podatci/Mjere i priključci“). Oštre bridove izbrusite turpijom.
- ▶ Prema izabranom priključnom vodu izrežite rupu u kabelskom tuljcu. Montirajte kabelski tuljac.
- ▶ Pomičite mrežnu priključnu stezaljku odozdo prema gore. U tu svrhu odglavite mrežnu priključnu stezaljku tako što ćete je snažno gurnuti ulijevo te izvući prema naprijed. Okrenite mrežnu priključnu stezaljku s priključnim kabelima za 180° u smjeru kazaljke sata. Postavite interno ožičenje ispod kabelske provodnice. Uglavite mrežnu priključnu stezaljku tako što ćete je utisnuti i gurati ulijevo dok se ne uglavi.
- ▶ Montirajte uređaj i priključite mrežni priključni kabel na mrežnu priključnu stezaljku kao što je opisano u poglavlju „Montaža/Standardna montaža u nadžbuknoj izvedbi“.



### Napomena

- Demontaža mrežne priključne stezaljke gore:  
 ▶ Odvijačem deblokirajte uskočnu kuku s desne strane.

### 13.2 Električni priključak dolje, podžbukna montaža

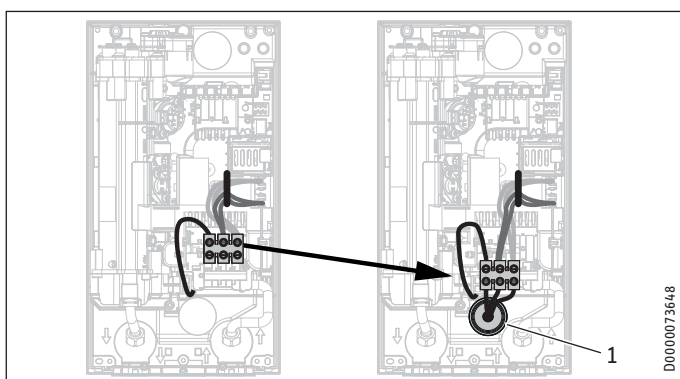


#### 1 kabelski tuljac

- ▶ Izbijite potrebnu provodnicu za mrežni priključni kabel iz poledine uređaja (za položaje vidi poglavlje „Tehnički podatci/Mjere i priključci“). Oštre bridove izbrusite turpijom.
- ▶ Prema izabranom priključnom vodu izrežite rupu u kabelskom tuljcu. Montirajte kabelski tuljac.
- ▶ Montirajte uređaj i priključite mrežni priključni kabel na mrežnu priključnu stezaljku kao što je opisano u poglavlju „Montaža/Standardna montaža u nadžbuknoj izvedbi“).

### 13.3 Električni priključak kod prekratkog mrežnog priključnog kabela

Kod prekratkog mrežnog priključnog kabela mrežnu priključnu stezaljku u uređaju možete montirati bliže otvoru provodnice.



#### 1 kabelski tuljac

- ▶ Pomičite mrežnu priključnu stezaljku odozgo prema dolje. U tu svrhu odglavite mrežnu priključnu stezaljku tako što ćete je snažno gurnuti ulijevo te izvući prema naprijed. Uglavite mrežnu priključnu stezaljku ispod tako što ćete je utisnuti i gurati ulijevo dok se ne uglavi.

### 13.4 Električni priključak kod nadžbukne montaže bočno

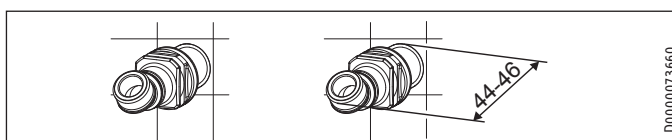
- ▶ Izrežite i izbijte potrebnu provodnicu za mrežni priključni kabel iz poledine uređaja i poklopca uređaja (za položaje vidi poglavlje „Tehnički podatci/Mjere i priključci“). Oštre bridove izbrusite turpijom.
- ▶ Montirajte uređaj i priključite mrežni priključni kabel na mrežnu priključnu stezaljku kao što je opisano u poglavlju „Montaža/Standardna montaža u nadžbuknoj izvedbi“).

### 13.5 Podžbukna instalacija vode

Za instalaciju je potreban odgovarajući dodatni pribor. Montažni komplet „podžbukna instalacija vode“ sadržava:

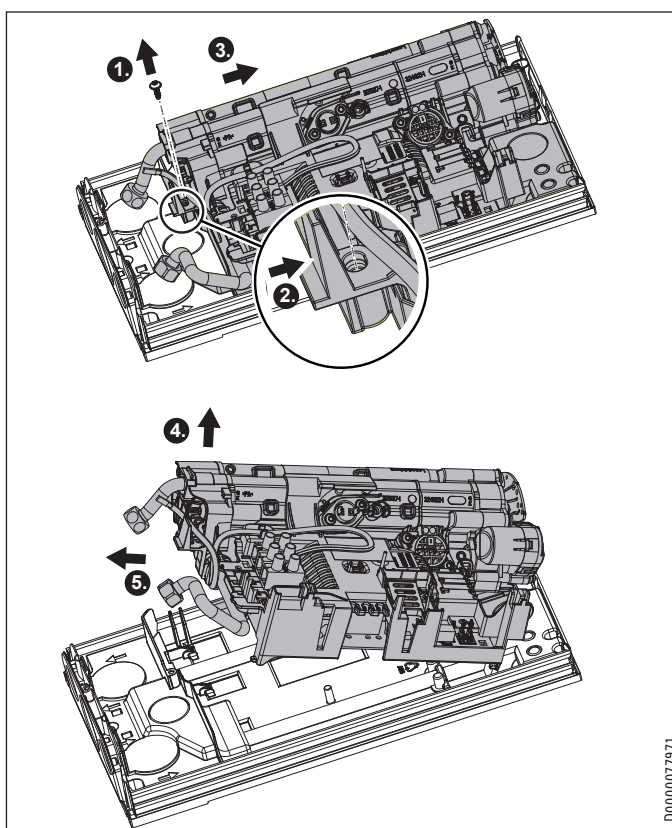
- 2 tuljca za brtvljenje otvora u poledini uređaja.
- sito s brtvenim rubom za ugradnju u dvostruku nazuvicu od 45°.
- Plosnata brtva

#### Pripreme



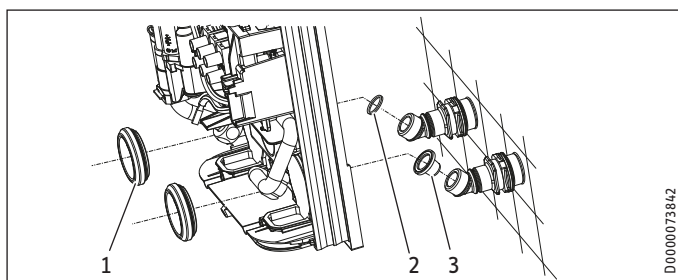
- ▶ Zabrtvite pa uvrnite dvostruku nazuvicu od 45°.

Za probijanje provodnica u poledini uređaja morate demontirati funkcijsku grupu sastavnica iz poledine uređaja.



- ▶ Odvijte vijak i odblokirajte uskočnu kuku.
- ▶ Lagano prema natrag gurnite funkcijsku grupu sastavnica u poledini uređaja.
- ▶ Podignite funkcijski ugradni sklop iz poledine uređaja tako što ćete ga lagano povući naprijed i izvaditi.
- ▶ Izbijte/probijte straga potrebne provodnice za priključke vode iz poledine uređaja (za položaje vidi poglavlje „Tehnički podatci/Mjere i priključci“). Oštre bridove izbrusite turpijom.
- ▶ Montirajte funkcijski ugradni sklop obrnutim redoslijedom u poledinu uređaja tako da se on uglavi u mjesto.
- ▶ Funkcijsku grupu sastavnica pričvrstite vijkom.

### Montaža uređaja



- 1 Tuljci
- 2 Plosnata brtva
- 3 Sito s brtvenim rubom

- ▶ Ucrtajte 2 položaja za bušenje u gornjem području poledine uređaja pomoću poledine uređaja.
- ▶ Montirajte tuljke s prednje strane u poledinu uređaja.
- ▶ Izbušite provrte pa pričvrstite uređaj prikladnim materijalom za pričvršćivanje (vijci i pričvršćivači ne spadaju u opseg isporuke): vijak s upuštenom glavom Ø 4,5 mm s maks. promjerom glave od 9 mm.

### Napomena

- ▶ Montirajte uređaj na zid. Pričvrstite uređaj dodatno na 2 donje točke pričvršćivanja. U tu svrhu izbijte/probijte donje uzdužne provrte (razmak 175 mm) iz poledine uređaja (za položaje vidi poglavlje „Tehnički podatci/Mjere i priključci“).

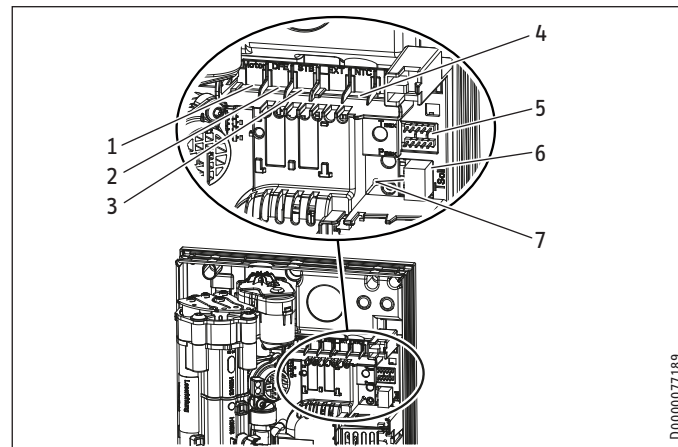
- ▶ Skinite transportne zaštitne čepove s cijevi za priključak vode.
- ▶ Vijcima pričvrstite priključnu cijev za toplu vodu s plosnatom brtvom, a dovodni vod za hladnu vodu sa sitom s brtvenim rubom (iz dodatnog pribora) na dvostruku nazovicu.

### 13.6 Rad s unaprijed zagrijanom vodom

Ugradnjom središnje termostatske slavine ograničava se maksimalna temperatura ulazne vode.

## 14. Servisne informacije

### Pregled priključaka/sastavnica



- 1 Ventil motora
- 2 Detekcija protoka
- 3 Sigurnosni ograničivač temperature, samoresetirajući
- 4 NTC osjetnik
- 5 Pin letvica za priključnu snagu i zaštitu od oparotina
- 6 Utični položaj upravljačke jedinice
- 7 Dijagnostička signalizacija

D0000077189

HRVATSKI



### 15. Otklanjanje kvarova



**UPOZORENJE strujni udar**  
Da biste mogli provjeriti uređaj, on mora biti spojen na opskrbu napona na uređaju.



**Napomena**  
Provjera uređaja s dijagnostičkim signalnim svjetlima mora se provesti dok voda teče.

#### Mogućnosti prikaza dijagnostičke signalizacije (LED)

●○○	crveno	svijetli u slučaju smetnje
○●○	žuto	svijetli u pogonu grijanja/treperi pri postizanju granice snage
○○●	zeleno	treperi: Uređaj je na mrežnom priključku.

dijagnostička signalizacija (potrošnja)	kvar	Uzrok	Rješenje
Niti jedna LED dioda ne svijetli.	Uređaj ne grije.	Nema jedne faze ili više faza mrežnog napona. Elektronika je neispravna.	Provjerite osigurače u kućnoj instalaciji. Zamijenite funkcijski ugradni sklop.
Zeleno treperi, žuto isključeno, crveno isključeno	Nema tople vode	Količina za uključivanje uređaja se ne postiže, kame- nac u glavi tuša/mlaznog regulatoru. Količina za uključivanje uređaja se ne postiže, sito u dovodu hladne vode je prljavo. Detekcija protoka nije utaknuta. Detekcija protoka neispravna ili prljava. Elektronika je neispravna.	Uklonite kamenac iz glave tuša/mlaznog regulatora/ zamijenite ih. Čišćenje sita Provjerite utični spoj, po potrebi ga ispravite. Zamijenite detekciju protoka. Zamijenite funkcijski ugradni sklop.
Zeleno treperi, žuto uključeno, crveno isključeno	Nema prikaza na zaslonu	Labav kabel između elektronike i upravljačke jedi- nice. Neispravan spojni kabel između elektronike i uprav- ljačke jedinice. Upravljačka jedinica je neispravna. Elektronika je neispravna.	Provjerite utične spojeve, po potrebi ispravite. Provjerite spojni kabel, po potrebi ga zamijenite. Zamijenite upravljačku jedinicu. Zamijenite funkcijski ugradni sklop.
Zeleno treperi, žuto uključeno, crveno isključeno	Nema tople vode, tempera- tura izlaza vode ne odgovara zadanoj vrijednosti.	Slavina je neispravna. Upravljačka jedinica je nakon uključivanja mrežnog napona spojena s elektronikom. Osjetnik istjecanja neispravan. Sustav grijanja u kvaru Elektronika je neispravna.	Zamijenite slavinu. Isključite osigurače u kućnoj instalaciji i zatim ih ponovo uključite. Zamijenite osjetnik istjecanja. Zamijenite funkcijski ugradni sklop. Zamijenite funkcijski ugradni sklop.
Zeleno treperi, žuto treperi, crveno isključeno.	Nema tople vode, tempera- tura izlaza vode ne odgovara zadanoj vrijednosti.	Regulacijska granica ventila motora dosegnuta Ventil motora neispravan	Smanjite namještenu temperaturu. Zamijenite ventil motora.
Zeleno treperi, žuto isključeno, crveno uključeno	Nema tople vode, tempera- tura izlaza vode ne odgovara zadanoj vrijednosti.	Prepoznavanje zraka se aktiviralo.	Nastavite puštati vodu >1 min.

#### 15.1 Prikaz koda greške

Kod greške uređaja na zaslonu treperi vijčani ključ.

- Za pozivanje koda greške tipku „i“ držite pritisnutom dulje od 5 sekundi.

dijagnostička signalizacija (potrošnja)	Prikaz na zaslonu	kvar	Uzrok	Rješenje
Zeleno treperi, žuto isključeno, crveno uključeno	Vijčani ključ treperi (prikaz koda greške E1 i vijčani ključ).	Nema tople vode, tempera- tura izlaza vode ne odgovara zadanoj vrijednosti.	Sigurnosna sklopka nije aktivirana pri „prvom puštanju u rad“. Sigurnosni graničnik temperatura akti- virao je sigurnosnu sklopku. Sigurnosna sklopka se nakon izvršene provjere sigurnosnog graničnika tem- perature ponovo aktivira, sigurnosni graničnik temperatura je neispravan. Sigurnosna sklopka ponovo se aktivira, elektronika je neispravna	Aktivirajte sigurnosnu sklopku, u tu svrhu čvrsto pritisnite tipku za rese- tiranje. Provjerite sigurnosni graničnik tempe- rature (utični spoj, spojni kabel), aktivi- rajte sigurnosnu sklopku. Zamijenite sigurnosni graničnik tempe- rature, aktivirajte sigurnosnu sklopku i ispuštajte vodu s maksimalnom zada- nom vrijednošću >1 min Zamijenite funkcijski ugradni sklop.

dijagnostička signalizacija (po-trošnja)	Prikaz na zaslonu	kvar	Uzrok	Rješenje
Zelena treperi, žuto isključeno, crveno uključeno	Vijčani ključ treperi (prikaz koda greške E2 i vijčani ključ).	Nema tople vode	Elektronika je neispravna (prekid ili kratki spoj u ulaznom osjetniku).	Zamijenite funkcijski ugradni sklop.
Zelena treperi, žuto isključeno, crveno uključeno	Vijčani ključ treperi (prikaz koda greške E3 i vijčani ključ).	Nema tople vode	Kratki spoj osjetnika istjecanja	Provjerite izlazni osjetnik, po potrebi ga zamijenite.

## 16. Održavanje



### UPOZORENJE strujni udar

Pri izvođenju svih radova odvojite uređaj na svim polovima od mrežnog priključka.

Ovaj uređaj sadržava kondenzatore koji se prazne nakon odvajanja od strujne mreže. Napon pražnjenja kondenzatora kratkotrajno event. može iznositi > 60 V DC.

### 16.1 Pražnjenje uređaja

Uređaj možete isprazniti radi radova održavanja.



### UPOZORENJE opekline

Dok praznite uređaj, može istjecati vruća voda.

- ▶ Zatvorite zaporni ventil u dovodnom vodu hladne vode.
- ▶ Otvorite sve odvodne ventile.
- ▶ Odvojite priključke za vodu od uređaja.
- ▶ Demontirani uređaj skladištite tako da je zaštićen od smrzavanja jer se u uređaju nalazi preostala voda koja bi se mogla zamrznuti i tako prouzročiti štetu.

### 16.2 Čišćenje sita



### UPOZORENJE opekline

Dok praznite uređaj, može istjecati vruća voda.



### Materijalna šteta

Da ne bi došlo do oštećenja sustava grijanja s neizoliranim žicama nakon prekida vodoopskrbe, uređaj morate ponovno pustiti u rad prateći sljedeće korake.

- ▶ Odvojite uređaj od izvora napona isključivanjem osigurača.
- ▶ Otvorite slavinu tijekom najmanje jednu minutu dok u uređaju i unaprijed spojenom dovodnom vodu hladne vode više ne bude zraka.
- ▶ Ponovno uključite dovod napona.

Sito u vijčanom priključku hladne vode treba redovito čistiti.

#### 16.2.1 Očistite sito, standardna nadžbukna montaža

- ▶ Odvojite uređaj od izvora napona.
- ▶ Zatvorite zaporni ventil u dovodnom vodu hladne vode.
- ▶ Otvorite sve odvodne ventile.
- ▶ Demontirajte vijčani priključak hladne vode.
- ▶ Plosnatim odvijačem izvadite sito iz dvostruke nazuvice. Očistite sito.
- ▶ Ponovo montirajte sito. Zavrnite priključnu cijev za hladnu vodu na dvostruku nazuvicu.

- ▶ Otvorite zaporni ventil u dovodnom vodu hladne vode.
- ▶ Više puta otvorite pa zatvorite sve priključene ispusne ventile sve dok u mreži vodova i u uređaju više ne bude zraka.
- ▶ Uključite dovod napona.

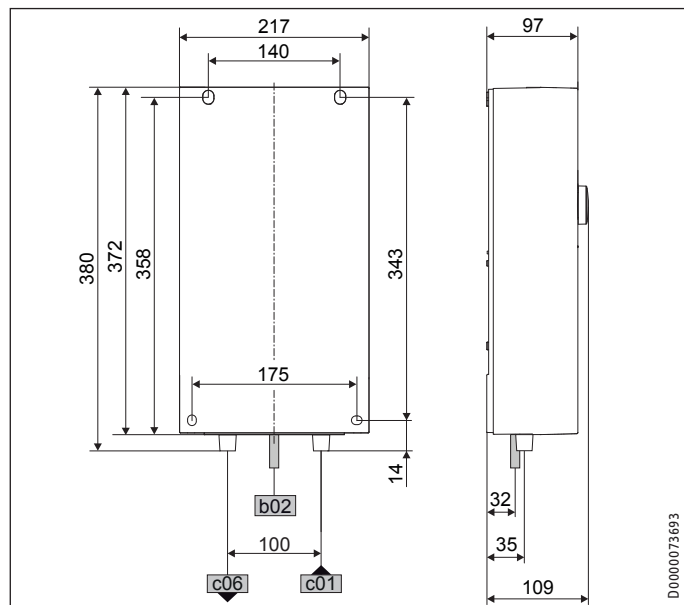
#### 16.2.2 Očistite sito, podžbukna instalacija vode

- ▶ Odvojite uređaj od izvora napona.
- ▶ Zatvorite zaporni ventil u dovodnom vodu hladne vode.
- ▶ Otvorite sve odvodne ventile.
- ▶ Otvorite uređaj popuštanjem vijka i zakretanjem poklopca uređaja.
- ▶ Odvrnite priključnu cijev za hladnu vodu s dvostruke nazuvice. Zakrenite priključnu cijev za hladnu vodu prema gore.
- ▶ Izvadite sito iz dvostruke nazuvice. Očistite sito.
- ▶ Zavrnite priključnu cijev za hladnu vodu sa sitom s brtvenim rubom na dvostruku nazuvicu.
- ▶ Otvorite zaporni ventil u dovodnom vodu hladne vode.
- ▶ Više puta otvorite pa zatvorite sve priključene ispusne ventile sve dok u mreži vodova i u uređaju više ne bude zraka.
- ▶ Provjerite nepropusnost priključka za hladnu vodu.
- ▶ Ovjesite poklopac uređaja na gornjoj strani iza poledine uređaja. Okrenite poklopac uređaja prema dolje. Provjerite naliže li poklopac uređaja čvrsto i gore i dolje. Poklopac uređaja pričvrstite vijkom.
- ▶ Uključite dovod napona.



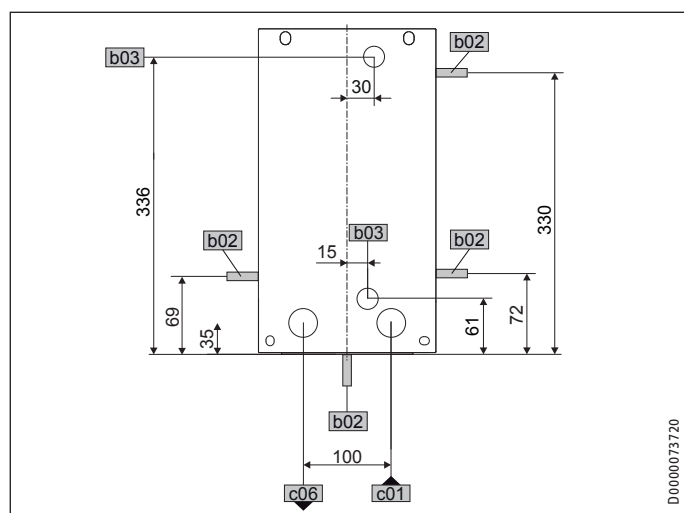
### 17. Tehnički podatci

#### 17.1 Mjere i priključi



		DCE-X Premium
b02	Provodnica elektr. vodova I	Nadžbukna izvedba
c01	Ulazna hladna voda	Vanjski navoj G 1/2 A
c06	Izlazna topla voda	Vanjski navoj G 1/2 A

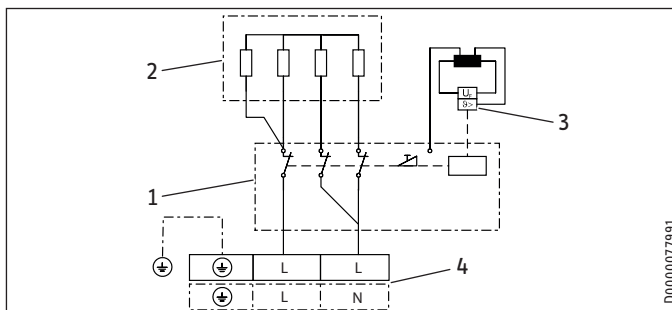
#### Alternativne mogućnosti priključka



		DCE-X Premium
b02	Provodnica elektr. vodova I	Nadžbukna izvedba
b03	Provodnica elektr. vodova II	Podžbukna izvedba
c01	Ulazna hladna voda	Vanjski navoj G 1/2 A
c06	Izlazna topla voda	Vanjski navoj G 1/2 A

#### 17.2 Električna spojna shema

DCE-X Premium	
⊕ L L	2/GRD ~ 220 - 240 V
⊕ L L N	1/N/PE ~ 220 - 240 V



- 1 Učinska elektronika s integriranom sigurnosnom sklopkom
- 2 Sustav grijanja s neizoliranim žicama
- 3 Sigurnosni graničnik temperature
- 4 Mrežna priključna stezaljka

#### 17.3 Učinak tople vode

Učinak tople vode ovisi o dovodu napona, priključnoj snazi uređaja i temperaturi ulazne hladne vode. Nazivni napon i nazivni učinak navedeni su na natpisnoj pločici.

Priključna snaga u kW		38 °C učinak tople vode u L/min.				
Nazivni napon		Temperatura ulazne hladne vode				
220 V	230 V	240 V	5 °C	10 °C	15 °C	20 °C

DCE-X 6/8 Premium						
6,0			2,6	3,1	3,7	4,8
8,0			3,5	4,1	5,0	6,3
	6,6		2,9	3,4	4,1	5,2
	8,7		3,8	4,4	5,4	6,9
		7,2	3,1	3,7	4,5	5,7
		9,6	4,2	4,9	6,0	7,6

DCE-X 10/12 Premium						
10,0			4,3	5,1	6,2	7,9
12,0			5,2	6,1	7,5	9,5
	11,0		4,8	5,6	6,8	8,7
	13,1		5,7	6,7	8,1	10,4
		12,0	5,2	6,1	7,5	9,5
		14,3	6,2	7,3	8,9	11,3

Priključna snaga u kW		50 °C učinak tople vode u L/min.				
Nazivni napon		Temperatura ulazne hladne vode				
220 V	230 V	240 V	5 °C	10 °C	15 °C	20 °C

DCE-X 6/8 Premium						
6,0			1,9	2,1	2,4	2,9
8,0			2,5	2,9	3,3	3,8
	6,6		2,1	2,4	2,7	3,1
	8,7		2,8	3,1	3,6	4,1
		7,2	2,3	2,6	2,9	3,4
		9,6	3,0	3,4	3,9	4,6

DCE-X 10/12 Premium						
10,0			3,2	3,6	4,1	4,8
12,0			3,8	4,3	4,9	5,7
	11,0		3,5	3,9	4,5	5,2
	13,1		4,2	4,7	5,3	6,2
		12,0	3,8	4,3	4,9	5,7
		14,3	4,5	5,1	5,8	6,8

# INSTALACIJA

## Tehnički podatci

### 17.4 Područja primjene/Tablica za preračunavanje

Za specifični električni otpor i specifičnu električnu provodljivost.

Normirani podatak na 15 °C			20 °C			25 °C		
Otpor $\rho \geq$	Provodljivost $\sigma \leq$		Otpor $\rho \geq$	Provodljivost $\sigma \leq$		Otpor $\rho \geq$	Provodljivost $\sigma \leq$	
$\Omega\text{cm}$	mS/m	$\mu\text{S/cm}$	$\Omega\text{cm}$	mS/m	$\mu\text{S/cm}$	$\Omega\text{cm}$	mS/m	$\mu\text{S/cm}$
1100	91	910	970	103	1031	895	112	1117

### 17.5 Pad tlaka

#### Slavine

Pad tlaka slavina pri volumnom protoku od 10 L/min		
Jednoručna miješalica, pribl.	MPa	0,04 - 0,08
Termostatska slavina, pribl.	MPa	0,03 - 0,05
Glava tuša, pribl.	MPa	0,03 - 0,15

#### Dimenzioniranje cjevovodne mreže

Za izračun dimenzioniranja cjevovodne mreže za ovaj se uređaj preporučuje pad tlaka od 0,1 MPa.

### 17.6 Uvjeti u slučaju smetnje

U slučaju smetnje u instalaciji nakratko može doći do opterećenja od maksimalno 80 °C pri tlaku od 1,0 MPa.

### 17.7 Podatci o potrošnji energije

List s informacijama o proizvodu: Konvencionalni uređaji za pripremu tople vode prema Uredbi (EU) br. 812/2013 | 814/2013

	DCE-X 6/8 Premium	DCE-X 10/12 Premium
	238158	238159
Proizvođač	STIEBEL ELTRON	STIEBEL ELTRON
Profil opterećenja	XS	XS
Razred energetske učinkovitosti	A	A
Energetski stupanj djelovanja	%	39
Godišnja potrošnja električne energije	kWh	472
Tvornička postavka temperature	°C	60
Razina zvučne snage	dB(A)	15
Posebne napomene za mjerenje učinkovitosti	Izmjeren na ECO razini s najvećim protokom, maksimalnom snagom i maksimalnom zadanom vrijednosti.	Izmjeren na ECO razini s najvećim protokom, maksimalnom snagom i maksimalnom zadanom vrijednosti.
Dnevna potrošnja električne energije	kWh	2,161
		2,167

## Tehnički podatci

### 17.8 Tablica s podacima

		DCE-X 6/8 Premium			DCE-X 10/12 Premium		
		238158			238159		
<b>Električni podatci</b>							
Nazivni napon	V	220	230	240	220	230	240
Nazivna snaga	kW	6,0/8,0	6,6/8,7	7,2/9,6	10,0/12,0	11,0/13,1	12,0/14,3
Nazivna struja	A	27,3/36,4	28,5/38,0	30,0/40,0	45,5/54,5	47,8/57,0	50,0/59,5
Osiguranje	A	30/40			50/60		
Frekvencija	Hz	50/60			50/60		
Faze		1/N/PE			1/N/PE		
Specifični otpor $\rho_{15} \geq$	$\Omega$ cm	1100			1100		
Specifična provodljivost $\sigma_{15} \leq$	$\mu$ S/cm	910			910		
Maks. impedancija mreže pri 50 Hz	$\Omega$	0,0385	0,0368	0,0353	0,0257	0,0245	0,0235
<b>Priključci</b>							
Priključak vode		G 1/2 A			G 1/2 A		
<b>Granice primjene</b>							
Maks. dopušteni tlak	MPa	1			1		
Maks. temperatura ulazne vode za dogrijavanje	$^{\circ}$ C	55			55		
Područje namještanja temperature	$^{\circ}$ C	Off, 20-60			Off, 20-60		
<b>Vrijednosti</b>							
Maks. temperatura ulazne vode (npr. toplinska dezinfekcija)	$^{\circ}$ C	70			70		
Uklj	l/min	1,3			1,3		
Volumni protok pri 28 K	l/min	3,1/4,1 @ 220 V			5,1/6,2 @ 220 V		
Volumni protok pri 50 K	l/min	1,7/2,3 @ 220 V			2,9/3,5 @ 220 V		
Gubitak tlaka za volumni protok pri 50 K (bez ograničivača protoka)	MPa	0,01/0,01			0,02/0,03		
<b>Hidraulični podatci</b>							
Nazivni sadržaj	l	0,277			0,277		
<b>Izvedbe</b>							
Vrsta montaže		nadstolno/podstolno postavljanje			nadstolno/podstolno postavljanje		
Snaga priključivanja koja se može odabrati		X			X		
Razred zaštite		1			1		
Izolacijski blok		plastika			plastika		
Proizvođač topline sustava grijanja		neizolirana žica			neizolirana žica		
Poklopac i stražnja oplata		plastika			plastika		
Boja		bijela			bijela		
Vrsta zaštite (IP)		IP 25			IP 25		
<b>Dimenzije</b>							
Visina	mm	372			372		
Širina	mm	217			217		
Dubina	mm	109			109		
<b>Težine</b>							
Težina	kg	2,5			2,5		



#### Napomena

Uređaj je usklađen s IEC 61000-3-12.

## Jamstvo

Za uređaje koji su kupljeni izvan Njemačke ne vrijede jamstveni uvjeti naših njemačkih tvrtki. Osim toga, u zemljama u kojima neka od naših podružnica prodaje naše proizvode može se dobiti jamstvo od te naše podružnice. Takvo jamstvo daje se samo u slučaju ako je ta podružnica izdala vlastite jamstvene uvjete. Inače se ne daje jamstvo.

Za uređaje koji su kupljeni u zemljama u kojima nijedna od naših podružnica ne prodaje naše proizvode mi ne dajemo jamstvo.

Sva jamstva koje daju uvoznici nisu obuhvaćeni ovim pravilom.

## Okoliš i recikliranje

Molimo pomozite da sačuvamo naš okoliš. Zbrinite materijale nakon korištenja sukladno nacionalnim propisima.

**ΕΙΔΙΚΕΣ ΥΠΟΔΕΙΞΕΙΣ**

**ΧΕΙΡΙΣΜΟΣ**

<b>1. Γενικές υποδείξεις</b>	<b>81</b>
1.1 Υποδείξεις ασφαλείας	81
1.2 Άλλες σημάνσεις σε αυτήν την τεκμηρίωση	81
1.3 Μονάδες διαστάσεων	81
<b>2. Ασφάλεια</b>	<b>81</b>
2.1 Ενδεδειγμένη χρήση	81
2.2 Γενικές υποδείξεις ασφαλείας	81
2.3 Σήμα ελέγχου	82
<b>3. Περιγραφή συσκευής</b>	<b>82</b>
<b>4. Ρυθμίσεις και ενδείξεις</b>	<b>82</b>
4.1 Πεδίο χειρισμού	82
4.2 Σύμβολα στην οθόνη	83
4.3 Ρύθμιση προδιαγραφόμενης θερμοκρασίας	83
4.4 Περιορισμός θερμοκρασίας μέσω εσωτερικής προστασίας έναντι εγκαυμάτων (από τεχνικό εγκαταστάτη)	83
4.5 Περιορισμός θερμοκρασίας T <sub>max</sub> (από τον χρήστη)	83
4.6 Κατάληψη θερμοκρασίας στα πλήκτρα μνήμης	83
4.7 Υπόδειξη θερμοκρασίας ροής εισόδου	83
4.8 Μενού πληροφοριών	83
4.9 Ρυθμίσεις μενού παραμέτρων	84
4.10 Συμβουλές ρύθμισης	85
<b>5. Καθαρισμός, φροντίδα και συντήρηση</b>	<b>86</b>
<b>6. Αντιμετώπιση προβλημάτων</b>	<b>86</b>

**ΕΓΚΑΤΑΣΤΑΣΗ**

<b>7. Ασφάλεια</b>	<b>87</b>
7.1 Γενικές υποδείξεις ασφαλείας	87
7.2 Λειτουργία ντους	87
7.3 Προδιαγραφές, πρότυπα και κανονισμοί	87
<b>8. Περιγραφή συσκευής</b>	<b>87</b>
8.1 Παραδοτέα	87
8.2 Αξεσουάρ	87
<b>9. Προεργασίες</b>	<b>87</b>
9.1 Θέση συναρμολόγησης	87
9.2 Ελάχιστες αποστάσεις	88
9.3 Υδραυλική εγκατάσταση	88
<b>10. Συναρμολόγηση</b>	<b>88</b>
10.1 Στάνταρ εγκατάσταση, επίτοιχη	88
<b>11. Θέση σε λειτουργία</b>	<b>90</b>
11.1 Εσωτερική προστασία έναντι εγκαυμάτων μέσω θέσης σύνδεσης γέφυρας	90
11.2 Αλλαγή της ισχύος σύνδεσης μέσω θέσης σύνδεσης της γέφυρας	90
11.3 Πρώτη θέση σε λειτουργία	90
11.4 Επανάληψη θέσης σε λειτουργία	91
<b>12. Θέση εκτός λειτουργίας</b>	<b>91</b>
<b>13. Εναλλακτικές επιλογές συναρμολόγησης</b>	<b>91</b>
13.1 Ηλεκτρική σύνδεση εντοιχισμένη, επάνω	91
13.2 Ηλεκτρική σύνδεση εντοιχισμένη κάτω	92
13.3 Ηλεκτρική σύνδεση με κοντό καλώδιο σύνδεσης ρεύματος	92

13.4 Ηλεκτρική σύνδεση επίτοιχη, πλευρικά	92
13.5 Υδραυλική εγκατάσταση εντοιχισμένη	92
13.6 Λειτουργία με προθερμασμένο νερό	93
<b>14. Πληροφορίες σέρβις</b>	<b>93</b>
<b>15. Αντιμετώπιση βλαβών</b>	<b>94</b>
15.1 Ένδειξη κωδικού σφάλματος	95
<b>16. Συντήρηση</b>	<b>95</b>
16.1 Εκκένωση συσκευής	95
16.2 Καθαρίστε τη σήτα	95
<b>17. Τεχνικά δεδομένα</b>	<b>96</b>
17.1 Διαστάσεις και συνδέσεις	96
17.2 Ηλεκτρικό διάγραμμα	97
17.3 Απόδοση ζεστού νερού	97
17.4 Πεδία εφαρμογής / Πίνακας μετατροπής	97
17.5 Απώλειες πίεσης	97
17.6 Συνθήκες βλάβης	97
17.7 Στοιχεία για την κατανάλωση ενέργειας	97
17.8 Πίνακας δεδομένων	98

**ΕΓΓΥΗΣΗ**

**ΠΕΡΙΒΑΛΛΟΝ ΚΑΙ ΑΝΑΚΥΚΛΩΣΗ**

## ΕΙΔΙΚΕΣ ΥΠΟΔΕΙΞΕΙΣ

- Ο χειρισμός της συσκευής μπορεί να γίνεται από παιδιά μεγαλύτερα των 3 ετών, καθώς και από άτομα με μειωμένες φυσικές, αισθητηριακές ή διανοητικές ικανότητες ή με έλλειψη εμπειρίας και γνώσεων, εφόσον επιτηρούνται ή έχουν λάβει οδηγίες σχετικά με την ασφαλή χρήση της συσκευής και έχουν κατανοήσει τους κινδύνους που προκύπτουν. Τα παιδιά δεν επιτρέπεται να παίζουν με τη συσκευή. Ο καθαρισμός και η συντήρηση από το χρήστη δεν επιτρέπεται να εκτελούνται από παιδιά χωρίς επιτήρηση.
- Κατά τη λειτουργία, η μπαταρία μπορεί να αναπτύξει θερμοκρασία έως 70 °C. Σε θερμοκρασίες ροής εξόδου πάνω από 43 °C υπάρχει κίνδυνος ζεματίσματος.
- Η συσκευή ενδείκνυται για την τροφοδοσία του ντους (λειτουργία ντους). Όταν η συσκευή χρησιμοποιείται επίσης ή αποκλειστικά για τη λειτουργία ντους, ο τεχνικός εγκαταστάτης πρέπει να ρυθμίσει την περιοχή θερμοκρασιακής ρύθμισης στους 55 °C ή χαμηλότερα, μέσω της εσωτερικής προστασίας έναντι εγκαυμάτων της συσκευής. Σε περίπτωση που χρησιμοποιείται προθερμασμένο νερό, πρέπει να διασφαλιστεί ότι η θερμοκρασία ροής εισόδου δεν υπερβαίνει τους 55 °C.
- Η συσκευή πρέπει να μπορεί να αποσυνδεθεί ολοπολικά από τη σύνδεση ηλεκτρικού δικτύου σε εύρος αποσύνδεσης τουλάχιστον 3 mm.
- Η αναφερόμενη τάση πρέπει να συμφωνεί με την τροφοδοσία τάσης.
- Η συσκευή πρέπει να συνδέεται στον προστατευτικό αγωγό.
- Η συσκευή πρέπει να συνδέεται μόνιμα σε σταθερή καλωδίωση.
- Στερεώνετε τη συσκευή, όπως περιγράφεται στο κεφάλαιο «Εγκατάσταση / Συναρμολόγηση».
- Τηρείτε τη μέγιστη επιτρεπτή πίεση (βλέπε κεφάλαιο «Εγκατάσταση / Τεχνικά δεδομένα / Πίνακας δεδομένων»).
- Δεν επιτρέπεται η υπέρβαση της ειδικής αντίστασης νερού του δικτύου υδροδότησης (βλέπε κεφάλαιο «Εγκατάσταση / Τεχνικά δεδομένα / Πίνακας δεδομένων»).
- Εκκενώνετε τη συσκευή όπως περιγράφεται στο κεφάλαιο «Εγκατάσταση / Συντήρηση / Εκκένωση συσκευής».

## ΧΕΙΡΙΣΜΟΣ

## 1. Γενικές υποδείξεις

Το κεφάλαιο «Ειδικές υποδείξεις» και «Χειρισμός» απευθύνεται στον χρήστη της συσκευής και στον τεχνικό εγκαταστάτη.

Το κεφάλαιο «Εγκατάσταση» απευθύνεται στον τεχνικό εγκαταστάτη.



## Υπόδειξη

Διαβάστε προσεκτικά το παρόν εγχειρίδιο πριν από τη χρήση και φυλάξτε το. Να μεταβιβάζετε τις οδηγίες στους τυχόν μεταγενέστερους χρήστες.

## 1.1 Υποδείξεις ασφαλείας

## 1.1.1 Δομή των υποδείξεων ασφαλείας



**ΠΡΟΕΙΔΟΠΟΙΗΤΙΚΗ ΛΕΞΗ** Είδος του κινδύνου  
Εδώ αναφέρονται οι πιθανές συνέπειες από την μη τήρηση της υπόδειξης ασφαλείας.  
► Εδώ αναφέρονται μέτρα για την αποτροπή του κινδύνου.

## 1.1.2 Σύμβολα, είδος του κινδύνου

Σύμβολο	Είδος του κινδύνου
	Τραυματισμός
	Ηλεκτροπληξία
	Έγκαυμα (Έγκαυμα, ζεμάτισμα)

## 1.1.3 Προειδοποιητικές λέξεις

ΠΡΟΕΙΔΟΠΟΙΗΤΙΚΗ ΛΕΞΗ	Σημασία
ΚΙΝΔΥΝΟΣ	Υποδείξεις, οι οποίες αν δεν τηρηθούν προκαλούν σοβαρούς τραυματισμούς ή θάνατο.
ΠΡΟΕΙΔΟΠΟΙΗΣΗ	Υποδείξεις, οι οποίες αν δεν τηρηθούν μπορούν να προκαλέσουν σοβαρούς τραυματισμούς ή θάνατο.
ΠΡΟΣΟΧΗ	Υποδείξεις, οι οποίες αν δεν τηρηθούν μπορούν να προκαλέσουν μέτριους έως ελαφρείς τραυματισμούς.

## 1.2 Άλλες σημάνσεις σε αυτήν την τεκμηρίωση



## Υπόδειξη

Οι γενικές υποδείξεις σημειώνονται με το διπλανό σύμβολο.  
► Διαβάστε προσεκτικά τα κείμενα των υποδείξεων.

Σύμβολο	Σημασία
	Υλικές ζημιές (Ζημιές συσκευής, επακόλουθες ζημιές και περιβαλλοντικές βλάβες)
	Απόρριψη συσκευής

► Αυτό το σύμβολο σας υποδεικνύει ότι πρέπει να κάνετε κάτι. Οι απαιτούμενες ενέργειες περιγράφονται βήμα προς βήμα.

## 1.3 Μονάδες διαστάσεων



## Υπόδειξη

Εάν δεν αναφέρεται διαφορετικά, τότε όλες οι διαστάσεις δηλώνονται σε χιλιοστά.

## 2. Ασφάλεια

## 2.1 Ενδεδειγμένη χρήση

Η συσκευή προορίζεται για τη θέρμανση πόσιμου νερού ή για το ζέσταμα προθερμασμένου νερού. Η συσκευή μπορεί να τροφοδοτήσει ένα ή περισσότερα σημεία λήψης.

Εάν γίνει υπέρβαση της μέγιστης θερμοκρασίας ροής εισόδου για το ζέσταμα, τότε δεν πραγματοποιείται το ζέσταμα.

Η συσκευή προορίζεται για χρήση σε οικιακό περιβάλλον. Ο χειρισμός της είναι ασφαλής από μη εκπαιδευμένα άτομα. Η συσκευή μπορεί, επίσης, να χρησιμοποιηθεί εκτός οικιακού περιβάλλοντος, π.χ. σε μικρά μαγαζιά, εφόσον η χρήση της δεν μεταβληθεί.

Κάποια άλλη ή περαιτέρω χρήση δεν ισχύει ως ενδεδειγμένη. Στην ενδεδειγμένη χρήση ανήκει επίσης η τήρηση του παρόντος εγχειριδίου, καθώς και του εγχειριδίου για τα χρησιμοποιούμενα αξεσουάρ.

## 2.2 Γενικές υποδείξεις ασφαλείας



## ΠΡΟΣΟΧΗ Έγκαυμα

Κατά τη λειτουργία, η μπαταρία μπορεί να αναπτύξει θερμοκρασία έως 70 °C. Σε θερμοκρασίες ροής εξόδου πάνω από 43 °C υπάρχει κίνδυνος ζεματίσματος.



## ΠΡΟΣΟΧΗ Έγκαυμα

Εάν η συσκευή χρησιμοποιείται από παιδιά ή από άτομα με περιορισμένες σωματικές, αισθητηριακές ή πνευματικές ικανότητες, ρυθμίστε ένα σύστημα περιορισμού θερμοκρασίας. Ελέγξτε τη σωστή λειτουργία του ρυθμισμένου συστήματος περιορισμού θερμοκρασίας. Εάν απαιτείται συνεχής και μη τροποποιήσιμος περιορισμός θερμοκρασίας, αναθέστε σε τεχνικό εγκαταστάτη τη ρύθμιση της εσωτερικής προστασίας έναντι εγκαυμάτων.





**ΠΡΟΣΟΧΗ Έγκαυμα**

Σε περίπτωση λειτουργίας με προθερμασμένο νερό, π.χ. κατά τη χρήση μιας ηλιακής εγκατάστασης, προσέξτε την παρακάτω υπόδειξη:

Η θερμοκρασία του ζεστού νερού μπορεί να υπερβεί τη ρυθμισμένη προδιαγραφόμενη θερμοκρασία ή έναν ρυθμισμένο περιορισμό θερμοκρασίας.

- ▶ Σε αυτήν την περίπτωση πρέπει να μειώσετε τη θερμοκρασία με θερμοστατική μπαταρία που να προηγείται στην εν σειρά σύνδεση.



**ΠΡΟΕΙΔΟΠΟΙΗΣΗ Τραυματισμός**

Ο χειρισμός της συσκευής μπορεί να γίνεται από παιδιά μεγαλύτερα των 3 ετών, καθώς και από άτομα με μειωμένες φυσικές, αισθητηριακές ή διανοητικές ικανότητες ή με έλλειψη εμπειρίας και γνώσεων, εφόσον επιτηρούνται ή έχουν λάβει οδηγίες σχετικά με την ασφαλή χρήση της συσκευής και έχουν κατανοήσει τους κινδύνους που προκύπτουν. Τα παιδιά δεν επιτρέπεται να παίζουν με τη συσκευή. Ο καθαρισμός και η συντήρηση από το χρήστη δεν επιτρέπεται να εκτελούνται από παιδιά χωρίς επιτήρηση.



**Υλικές ζημιές**

Ο χρήστης πρέπει να προφυλάσσει τη συσκευή και την μπαταρία από παγετό.



**Υπόδειξη**

Για να πληρούνται τα κριτήρια του είδους προστασίας IP 25, πρέπει να χρησιμοποιούνται εξάγωνες φρεζάτες βίδες για τη στερέωση της συσκευής στον τοίχο.

Μπορείτε να αποθηκεύσετε διάφορες προδιαγραφόμενες θερμοκρασίες και να τις καλέσετε γρήγορα. Στη λειτουργία ECO, η ενσωματωμένη μηχανοκίνητη βαλβίδα περιορίζει την ποσότητα διέλευσης σε 3 προρυθμισμένα επίπεδα. Η συσκευή διαθέτει δυνατότητες ρύθμισης για τον περιορισμό της θερμοκρασίας (λειτουργία Tmax, από τον χρήστη) και μια εσωτερική προστασία έναντι εγκαυμάτων (από τεχνικό εγκαταστάτη). Ο οπισθοφωτισμός ενεργοποιείται αυτόματα όταν διέρχεται νερό μέσα από τη συσκευή ή όταν πραγματοποιείται μια τροποποίηση στο πεδίο χειρισμού. Ο οπισθοφωτισμός απενεργοποιείται αυτόματα μετά από αδράνεια στο πεδίο χειρισμού και μετά το τέλος της λήψης.

**Σύστημα θέρμανσης**

Το σύστημα θέρμανσης γυμνού σύρματος βρίσκεται μέσα σε ένα ανθεκτικό στην πίεση πλαστικό περίβλημα. Το σύστημα θέρμανσης με σπείρα θέρμανσης από ανοξείδωτο χάλυβα ενδείκνυται για μαλακό και σκληρό νερό, ενώ είναι σε μεγάλο βαθμό ανεπηρέαστο από τον σχηματισμό αλάτων. Το σύστημα θέρμανσης φροντίζει για τη γρήγορη και αποτελεσματική τροφοδοσία ζεστού νερού.



**Υπόδειξη**

Η συσκευή εξοπλίζεται με αναγνώριση αέρα, η οποία εμποδίζει σε μεγάλο βαθμό τις ζημιές στο σύστημα θέρμανσης. Εάν στη διάρκεια της λειτουργίας εισαχθεί αέρας στη συσκευή, η συσκευή απενεργοποιεί τη θερμαντική απόδοση για ένα λεπτό προστατεύοντας έτσι το σύστημα θέρμανσης.

**2.3 Σήμα ελέγχου**

Βλέπε πινακίδα τύπου προϊόντος στη συσκευή.

**3. Περιγραφή συσκευής**

Μόλις ανοίξετε τη βαλβίδα ζεστού νερού στην μπαταρία, η συσκευή ενεργοποιείται αυτόματα. Όταν κλείνετε την μπαταρία, η συσκευή απενεργοποιείται ξανά αυτόματα.

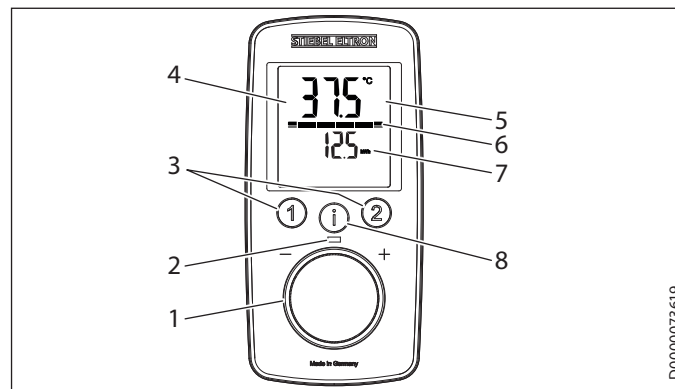
Η συσκευή θερμαίνει το νερό όσο το νερό διέρχεται από τη συσκευή. Η προδιαγραφόμενη θερμοκρασία είναι ρυθμιζόμενη. Μετά από μια συγκεκριμένη ποσότητα διέλευσης το σύστημα ελέγχου ενεργοποιεί την απαιτούμενη θερμαντική απόδοση σε συνάρτηση με τη θερμοκρασιακή ρύθμιση και τη θερμοκρασία κρύου νερού.

Ο πλήρως ηλεκτρονικά ελεγχόμενος κόμπακτ ταχυθερμαντήρας με αυτόματη προσαρμογή ισχύος διατηρεί σταθερή τη θερμοκρασία ροής εξόδου. Το νερό θερμαίνεται μέσω της πλήρως ηλεκτρονικής ρύθμισης με μηχανοκίνητη βαλβίδα ακριβώς στη ρυθμισμένη θερμοκρασία. Αυτό συμβαίνει ανεξάρτητα από τη θερμοκρασία ροής εισόδου.

Εάν η συσκευή λειτουργεί με προθερμασμένο νερό και η θερμοκρασία ροής εισόδου υπερβεί τη ρυθμισμένη θερμοκρασία, η θερμοκρασία εισόδου εμφανίζεται στη δεύτερη σειρά της οθόνης και αναβοσβήνει. Το νερό δεν θερμαίνεται περαιτέρω.

**4. Ρυθμίσεις και ενδείξεις**

**4.1 Πεδίο χειρισμού**

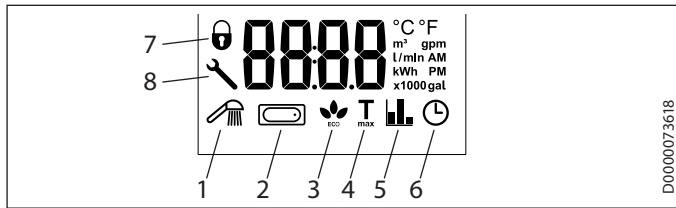


- 1 Κουμπί ρύθμισης
- 2 Λειτουργία LED (αναβοσβήνει όταν επιτευχθεί το όριο ισχύος)
- 3 Πλήκτρα μνήμης θερμοκρασίας
- 4 Οθόνη με οπισθοφωτισμό
- 5 Κύρια ένδειξη | Ένδειξη πληροφοριών | Ένδειξη παραμέτρων
- 6 Τμηματική ένδειξη [10 - 100 %]
- 7 Δεύτερη σειρά ένδειξης
- 8 Πλήκτρο «i» για κλήση πληροφοριών και επιλογή μενού



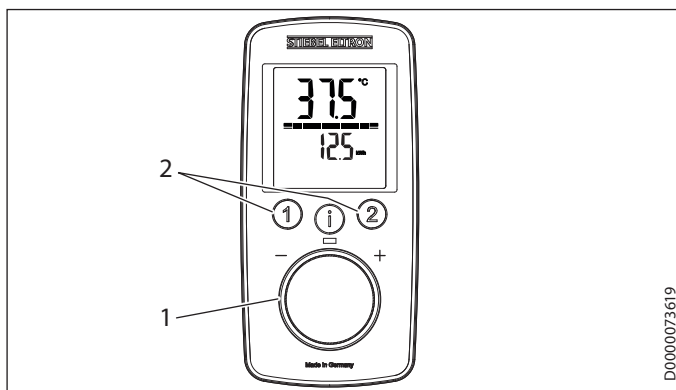
4.2 Σύμβολα στην οθόνη

Κατά την ενεργοποίηση εμφανίζονται τα σύμβολα στην οθόνη.



- 1 Ντους ευεξίας
- 2 Αυτόματο σύστημα ποσότητας νερού
- 3 Ένδειξη ECO
- 4 Tmax, ένδειξη όταν είναι ενεργοποιημένος ο περιορισμός θερμοκρασίας
- 5 Ένδειξη κατανάλωσης
- 6 Ώρα
- 7 Κλείδωμα λειτουργίας [on / off]
- 8 Γερμανικό κλειδί, εμφανίζεται σε περίπτωση αστοχίας της συσκευής

4.3 Ρύθμιση προδιαγραφόμενης θερμοκρασίας



- 1 Προδιαγραφόμενη θερμοκρασιακή ρύθμιση: OFF, 20 - 60 °C
- 2 Κλήση / κατάληψη επιθυμητών θερμοκρασιών

Ρυθμίσεις			
Ρύθμιση	Βήμα	Ρύθμιση	Βήμα
20 °C ... 60 °C	0,5 °C	68 °F ... 140 °F	1 °F

4.4 Περιορισμός θερμοκρασίας μέσω εσωτερικής προστασίας έναντι εγκαυμάτων (από τεχνικό εγκαταστάτη)

Εφόσον ζητηθεί, ο τεχνικός εγκαταστάτης μπορεί να ρυθμίσει έναν συνεχή περιορισμό της θερμοκρασίας, π.χ. σε νηπιαγωγεία, νοσοκομεία κ.λπ.

Κατά την τροφοδοσία ενός ντους, ο τεχνικός εγκαταστάτης πρέπει να περιορίσει την περιοχή θερμοκρασιακής ρύθμισης στη συσκευή στους 55 °C ή χαμηλότερα.

Όταν είναι ενεργοποιημένη η λειτουργία προστασίας έναντι εγκαυμάτων, εάν επιτευχθεί η ρυθμισμένη τιμή θερμοκρασίας, η ένδειξη «Tmax» αναβοσβήνει.

4.5 Περιορισμός θερμοκρασίας Tmax (από τον χρήστη)

Μπορείτε να ρυθμίσετε εξατομικευμένα τον περιορισμό θερμοκρασίας. Κατά την ενεργοποίηση του περιορισμού θερμοκρασίας, εμφανίζεται στην οθόνη η ένδειξη «Tmax».

Ενεργοποίηση / απενεργοποίηση περιορισμού θερμοκρασίας Tmax

Βλέπε κεφάλαιο «Ρυθμίσεις μενού παραμέτρων».

4.6 Κατάληψη θερμοκρασίας στα πλήκτρα μνήμης

Μπορείτε να αναθέσετε μια επιθυμητή θερμοκρασία στα πλήκτρα μνήμης «1» και «2».

- ▶ Επιλέξτε μια επιθυμητή θερμοκρασία.
- ▶ Για να αποθηκεύσετε την επιθυμητή θερμοκρασία, κρατήστε πατημένο το πλήκτρο «1» ή «2» για περισσότερα από 3 δευτερόλεπτα. Η επιλεγμένη θερμοκρασία επιβεβαιώνεται με 1 αναβοσβήσιμο.

4.7 Υπόδειξη θερμοκρασίας ροής εισόδου

Εάν η συσκευή λειτουργεί με προθερμασμένο νερό και η θερμοκρασία ροής εισόδου υπερβεί τη ρυθμισμένη προδιαγραφόμενη θερμοκρασία, η θερμοκρασία ροής εισόδου εμφανίζεται στη δεύτερη σειρά ενδείξεων και αναβοσβήνει. Το νερό δεν θερμαίνεται περαιτέρω.

4.8 Μενού πληροφοριών

Η συσκευή διαθέτει μια δευτερεύουσα ένδειξη, στην οποία μπορούν να εμφανίζονται τιμές κατανάλωσης.

4.8.1 Κλήση μενού πληροφοριών

- ▶ Πατήστε σύντομα το πλήκτρο «i», ώσπου να εμφανιστεί το «i 1» και συνεχίστε πατώντας ακόμα μία φορά το πλήκτρο «i».
- ▶ Για να εγκαταλείψετε το σημείο μενού, κρατήστε πατημένο το πλήκτρο «i» για περισσότερα από 5 δευτερόλεπτα. Εναλλακτικά: Το σημείο μενού απενεργοποιείται αυτόματα 30 δευτερόλεπτα μετά το τέλος της ρύθμισης.

Μενού	Περιγραφή	Επεξηγήσεις	Ένδειξη   Οθόνη
- 1	Διέλευση	Ένδειξη της τρέχουσας ποσότητας διέλευσης.	Τιμή διέλευσης σε l/min ή gpm
- 2	Ώρα	Ένδειξη της τρέχουσας ώρας.	Ώρα,
- 3	Κατανάλωση ενέργειας	Εμφανίζεται η ποσότητα ενέργειας που έχει καταναλωθεί.	Τιμή σε kWh
- 4	Κατανάλωση νερού	Εμφανίζεται η ποσότητα νερού που έχει καταναλωθεί.	Τιμή σε m³ ή gal

**Υπόδειξη**  
Οι τιμές κατανάλωσης υπολογίζονται μετά την τελευταία επαναφορά.

## 4.9 Ρυθμίσεις μενού παραμέτρων

### 4.9.1 Ενεργοποίηση μενού παραμέτρων

- ▶ Κρατήστε πατημένο το πλήκτρο «i» για περισσότερα από 5 δευτερόλεπτα, ώσπου να εμφανιστεί το «P 1» και συνεχίστε πατώντας ακόμα μία φορά το πλήκτρο «i».
- ▶ Στο επιλεγμένο μενού παραμέτρων, γυρίστε το κουμπί ρύθμισης της θερμοκρασίας στην επιθυμητή ένδειξη/ρύθμιση.

### 4.9.2 Μενού παραμέτρων

Μενού	Περιγραφή	Επιλέξιμη ένδειξη   Ρύθμιση	Επεξηγήσεις	Σύμβολο   Οθόνη
P 1	Λειτουργία εξοικονόμησης νερού και ενέργειας ECO	OFF   ECO1   ECO2   ECO3	Με τη λειτουργία ECO μπορείτε να περιορίσετε την ποσότητα διέλευσης σε μια μέγιστη τιμή. Περιορισμός ποσότητας διέλευσης: 6 l/min στο «ECO1», 5 l/min στο «ECO2», 4 l/min στο «ECO3», χωρίς περιορισμό ποσότητας διέλευσης στο «OFF».	
P 2	Περιορισμός θερμοκρασίας Tmax	OFF 20,0   20,5 ... °C ή 68   69 ... °F	Με τον περιορισμό θερμοκρασίας, μπορείτε ως χρήστες να περιορίσετε τη ρυθμιζόμενη προδιαγραφόμενη θερμοκρασία της συσκευής σε μια μέγιστη τιμή. Ελέγξτε εάν το ανώτερο όριο θερμοκρασίας έχει εφαρμοστεί σωστά. Επιπρόσθετα, ο τεχνικός εγκαταστάτης μπορεί να ρυθμίσει μια θερμοκρασία προστασίας έναντι εγκαυμάτων. Αυτή η θερμοκρασία λειτουργεί τότε ως ανώτερο όριο του εύρους ρύθμισης για τον περιορισμό της θερμοκρασίας.	
P 3	Ντους ευεξίας	OFF   Pro1   Pro2   Pro3   Pro4	Στο πρόγραμμα του ντους ευεξίας μπορείτε να επιλέξετε μεταξύ 4 διαφορετικών προγραμμάτων εναλλασσόμενου ντους. WW = ζεστό νερό, KW = κρύο νερό, min = λεπτά, sec = δευτερόλεπτα - 1 Πρόληψη κρυώματος Για σκληραγώγηση, συνιστούμε ολοκλήρωση του ντους με κρύο νερό, το οποίο προκαλεί αντανακλαστική θέρμανση του σώματος.  - 2 Χειμερινή αναζωογόνηση Αναζωογονητική ολοκλήρωση ενός χειμερινού ντους με αναθέρμανση.  - 3 Καλοκαιρινό πρόγραμμα φυσικής κατάστασης Γρήγορο εναλλασσόμενο ντους για την ενίσχυση της φυσικής κατάστασης με αναθέρμανση στο τέλος.  - 4 Πρόγραμμα βελτίωσης της κυκλοφορίας του αίματος Για την ενίσχυση της κυκλοφορίας του αίματος παρέχεται κρύο νερό ντους στα χέρια και στα πόδια. Σε αυτήν την περίπτωση, το ντους πρέπει να εκτελείται από τα χέρια και τα πόδια με κατεύθυνση προς το σώμα. Στη συνέχεια, μπορείτε να επαναλάβετε αυτήν τη διαδικασία με ζεστό νερό. 	
P 4	Αυτόματο σύστημα ποσότητας νερού, ρύθμιση όγκου στην επιλεγμένη μονάδα	OFF   5   10   ... 200 l ή 2 ... 52 gal	Με το αυτόματο σύστημα ποσότητας νερού μπορείτε να περιορίσετε την ποσότητα του νερού, π.χ. για την πλήρωση μιας μπανιέρας. Όταν επιτυγχάνεται η προεπιλεγμένη ποσότητα νερού, το αυτόματο σύστημα μειώνει τη διέλευση. Το αυτόματο σύστημα ποσότητας νερού πρέπει να ενεργοποιείται πριν από κάθε πλήρωση της μπανιέρας. Παράδειγμα πλήρωσης μπανιέρας 80 λίτρα (21 gal): Όταν η πλήρωση της μπανιέρας φτάσει στα 80 λίτρα (21 gal), το αυτόματο σύστημα μειώνει την ποσότητα διέλευσης σε 4 l/min (1 gpm).	

Μενού	Περιγραφή	Επιλέξιμη ένδειξη   Ρύθμιση	Επεξηγήσεις	Σύμβολο   Οθόνη
P 5	Μονάδα μέτρησης θερμοκρασίας	C   F	Επιλέξτε μονάδα μέτρησης της θερμοκρασίας για όλες τις ρυθμίσεις.	°C   °F
P 6	Μονάδα μέτρησης όγκου	L   GAL	Επιλέξτε μονάδα μέτρησης του όγκου για όλες τις ρυθμίσεις.	l   gal
P 7	Μορφή ώρας	24H   12h	Επιλέξτε τη μορφή ώρας.	🕒
P 8	Ρύθμιση ώρας	--:--	Μπορείτε να ορίσετε τη μορφή ώρας σε 12 ή 24 ώρες: - 12 ώρες από 00:00 - 11:59 = AM   11:59 - 00:00 = PM - 24 ώρες από 00:00 έως 23:59 Μετά από διακοπή της τάσης, η τρέχουσα ώρα πρέπει να ρυθμιστεί εκ νέου.	AM   PM (μόνο στη ρύθμιση 12h)
P 9	Κλειδωμα λειτουργίας	On   OFF	Μπορείτε να ορίσετε το κλειδωμα λειτουργίας σε «On» ή «OFF». Απενεργοποίηση του ρυθμισμένου κλειδώματος λειτουργίας: ▶ Κρατήστε πατημένο το πλήκτρο «i» για περισσότερα από 12 δευτερόλεπτα.	🔒 (μόνο στο On)
P 10	Επαναφορά εργοστασιακής ρύθμισης	Επαναφορά (rSEt)	Μπορείτε να επαναφέρετε τη συσκευή στις εργοστασιακές ρυθμίσεις. Στην οθόνη εμφανίζεται η ένδειξη «rSEt». ▶ Κρατήστε πατημένα ταυτόχρονα τα πλήκτρα «1» και «2» για περισσότερα από 5 δευτερόλεπτα. Η ένδειξη αλλάζει σε «On» για επιβεβαίωση της επαναφοράς. ▶ Για επιβεβαίωση του «On», κρατήστε πατημένο το πλήκτρο «i» για περισσότερα από 5 δευτερόλεπτα.	
P 11	Επαναφορά των τιμών κατανάλωσης	Επαναφορά (rSEt   📊)	Μπορείτε να επαναφέρετε τις τιμές κατανάλωσης. Στην οθόνη εμφανίζεται η ένδειξη «rSEt». ▶ Κρατήστε πατημένα ταυτόχρονα τα πλήκτρα «1» και «2» για περισσότερα από 5 δευτερόλεπτα. Η ένδειξη αλλάζει σε «On» για επιβεβαίωση της επαναφοράς. ▶ Για επιβεβαίωση του «On», κρατήστε πατημένο το πλήκτρο «i» για περισσότερα από 5 δευτερόλεπτα.	
P 12	Οπισθοφωτισμός	Auto   On	Μπορείτε να ρυθμίσετε τον οπισθοφωτισμό της οθόνης. - Εάν έχει οριστεί η επιλογή «Auto» (αυτόματα), ο οπισθοφωτισμός ενεργοποιείται κατά τη λειτουργία θέρμανσης και με κάθε ενέργεια χειρισμού. Μετά από 30 δευτερόλεπτα αδράνειας, ο οπισθοφωτισμός απενεργοποιείται ξανά. - Εάν επιλεγεί το «On», ο οπισθοφωτισμός ανάβει συνεχώς.	
P 13	Χαμηλώμα του οπισθοφωτισμού	100 %   20 % (📊)	Μπορείτε να ρυθμίσετε τη φωτεινότητα του οπισθοφωτισμού σε 2 βαθμίδες.	

#### 4.9.3 Απενεργοποίηση μενού παραμέτρων

- ▶ Για να εγκαταλείψετε το σημείο μενού, κρατήστε πατημένο το πλήκτρο «i» για περισσότερα από 5 δευτερόλεπτα. Εναλλακτικά: Το σημείο μενού απενεργοποιείται αυτόματα 30 δευτερόλεπτα μετά το τέλος της ρύθμισης.

#### 4.10 Συμβουλές ρύθμισης

Ο ταχυθερμαντήρας φροντίζει για τη μέγιστη ακρίβεια και τη μέγιστη άνεση παροχής ζεστού νερού. Ωστόσο, εάν λειτουργείτε τη συσκευή με θερμοστατική μπαταρία, σας συνιστούμε τα εξής:

- ▶ Ορίστε την προδιαγραφόμενη θερμοκρασία στη συσκευή πάνω από τους 50 °C. Στη συνέχεια, ορίστε την επιθυμητή προδιαγραφόμενη θερμοκρασία στη θερμοστατική μπαταρία.

#### Εξοικονόμηση ενέργειας

Στις ρυθμίσεις που προτείνουμε απαιτείται η λιγότερη δυνατή ενέργεια:

- 38 °C για νιπτήρα, ντους, μπανιέρα
- 55 °C για νεροχύτη κουζίνας

#### Εσωτερική προστασία έναντι εγκαυμάτων (τεχνικός εγκαταστάτης)

Εφόσον ζητηθεί, ο τεχνικός εγκαταστάτης μπορεί να ρυθμίσει έναν συνεχή περιορισμό της θερμοκρασίας, π.χ. σε νηπιαγωγεία, νοσοκομεία κ.λπ.

#### Συμβουλές ρύθμισης κατά τη λειτουργία με θερμοστατική μπαταρία και ηλιακά προθερμασμένο νερό

- ▶ Ρυθμίστε τη θερμοκρασία της συσκευής στη μέγιστη θερμοκρασία.

Μετά από διακοπή της υδροδότησης



**Υλικές ζημιές**

Προκειμένου να μην καταστραφεί το σύστημα θέρμανσης γυμνού σύρματος μετά από διακοπή της υδροδότησης, πρέπει να τηρηθούν τα παρακάτω βήματα για να τεθεί εκ νέου σε λειτουργία η συσκευή.

- ▶ Διακόψτε την τάση προς τη συσκευή, κατεβάζοντας τις ασφάλειες.
- ▶ Ανοίξτε την μπαταρία για ένα λεπτό ώσπου να διαφύγει ο αέρας από τη συσκευή και τον σωλήνα ροής εισόδου κρύου νερού που είναι μπροστά από τη συσκευή.
- ▶ Ενεργοποιήστε ξανά την τροφοδοσία τάσης.

## 5. Καθαρισμός, φροντίδα και συντήρηση

- ▶ Μην χρησιμοποιείτε λιπαντικά ή διαλυτικά καθαριστικά υλικά. Για τη φροντίδα και τον καθαρισμό της συσκευής αρκεί ένα υγρό πανί.
- ▶ Ελέγχετε τακτικά τις μπαταρίες. Μπορείτε να απομακρύνετε τα άλατα που σχηματίζονται στις εξόδους των μπαταριών με υλικά αφαλάτωσης του εμπορίου.

## 6. Αντιμετώπιση προβλημάτων

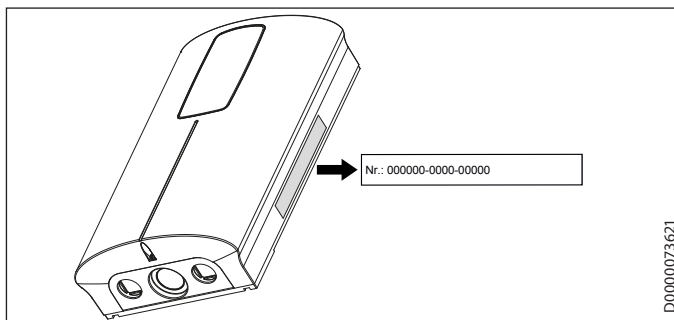
Πρόβλημα	Αιτία	Αντιμετώπιση
Η συσκευή δεν ενεργοποιείται παρά την πλήρως ανοιγμένη βαλβίδα ζεστού νερού.	Δεν ασκείται τάση.	Ελέγξτε τις ασφάλειες στην οικιακή εγκατάσταση.
	Ο ρυθμιστής ψεκασμού στην μπαταρία ή η κεφαλή καταιονισμού έχουν επικαθίσεις αλάτων ή ρύπους.	Καθαρίστε και/ή απομακρύνετε τις επικαθίσεις αλάτων από τον ρυθμιστή ψεκασμού ή την κεφαλή καταιονισμού.
	Η υδροδότηση έχει διακοπεί.	Εξαερώστε τη συσκευή και τον σωλήνα ροής εισόδου κρύου νερού.
Ενώ είναι ανοιχτό το ζεστό νερό, εξέρχεται κρύο νερό για λίγο.	Η ανίχνευση αέρα αναγνωρίζει αέρα στο νερό. Απενεργοποιεί στιγμιαία τη θερμαντική απόδοση.	Η συσκευή επαναλειτουργεί αυτόνομα μετά από 1 λεπτό.
Η επιθυμητή θερμοκρασία δεν μπορεί να ρυθμιστεί.	Ο περιορισμός θερμοκρασίας και/ή η εσωτερική προστασία έναντι εγκαυμάτων είναι ενεργοποιημένα.	Απενεργοποιήστε τον περιορισμό θερμοκρασίας. Η εσωτερική προστασία έναντι εγκαυμάτων μπορεί να τροποποιηθεί μόνο από τον τεχνικό εγκατάσταση.
Η ποσότητα διέλευσης είναι πολύ χαμηλή.	Η λειτουργία ECO είναι ενεργοποιημένη.	Επιλέξτε μια διαφορετική βαθμίδα ECO ή απενεργοποιήστε τη λειτουργία ECO.
Στη μονάδα χειρισμού δεν μπορούν να πραγματοποιηθούν ρυθμίσεις.	Το κλειδί λειτουργίας είναι ενεργοποιημένο.	Για απενεργοποίηση του κλειδώματος λειτουργίας, κρατήστε πατημένο το πλήκτρο «i» για περισσότερα από 12 δευτερόλεπτα.



**Υπόδειξη**

Οι ενδείξεις στη μονάδα χειρισμού και οι επιλεγμένες ρυθμίσεις διατηρούνται μετά από διακοπή της τροφοδοσίας τάσης (εκτός από την ώρα).

Εάν δεν μπορείτε να αντιμετωπίσετε την αιτία, καλέστε έναν τεχνικό εγκαταστάτη. Για την καλύτερη και ταχύτερη βοήθεια δηλώστε τον αριθμό από την πινακίδα τύπου (000000-0000-000000).



D0000073621

## ΕΓΚΑΤΑΣΤΑΣΗ

## 7. Ασφάλεια

Η εγκατάσταση, η θέση σε λειτουργία, καθώς και η συντήρηση και η επισκευή της συσκευής επιτρέπεται να εκτελούνται μόνο από τεχνικό εγκαταστάτη.

## 7.1 Γενικές υποδείξεις ασφαλείας

Εγγυόμαστε την απροβλημάτιστη λειτουργία και ασφάλεια λειτουργίας μόνο όταν στη συσκευή χρησιμοποιούνται συγκεκριμένα γνήσια αξεσουάρ και γνήσια ανταλλακτικά.



## Υλικές ζημιές

Τηρείτε τη μέγιστη θερμοκρασία ροής εισόδου. Σε υψηλότερες θερμοκρασίες μπορεί να υποστεί ζημιές η συσκευή. Με την εγκατάσταση μιας κεντρικής θερμοστατικής μπαταρίας μπορείτε να περιορίσετε τη μέγιστη θερμοκρασία ροής εισόδου.



## ΠΡΟΕΙΔΟΠΟΙΗΣΗ Ηλεκτροπληξία

Αυτή η συσκευή περιλαμβάνει πυκνωτές οι οποίοι αποφορτίζονται μετά την αποσύνδεσή τους από το δίκτυο ρεύματος. Η τάση αποφόρτισης του πυκνωτή ενδέχεται για μικρό διάστημα να είναι > 60 V DC.

## 7.2 Λειτουργία ντους



## ΠΡΟΣΟΧΗ Έγκαυμα

► Κατά την τροφοδοσία ενός ντους, ρυθμίστε την εσωτερική προστασία έναντι εγκαυμάτων στους 55 °C ή χαμηλότερα, βλέπε κεφάλαιο «Θέση σε λειτουργία / Προεργασίες».



## ΠΡΟΣΟΧΗ Έγκαυμα

Σε περίπτωση λειτουργίας με προθερμασμένο νερό, π.χ. κατά τη χρήση μιας ηλιακής εγκατάστασης, προσέξτε την παρακάτω υπόδειξη:

Η θερμοκρασία του ζεστού νερού μπορεί να υπερβαίνει τη ρυθμισμένη προδιαγραφόμενη θερμοκρασία ή έναν ρυθμισμένο περιορισμό θερμοκρασίας.  
► Σε αυτήν την περίπτωση πρέπει να μειώνετε τη θερμοκρασία με θερμοστατική μπαταρία που να προηγείται στην εν σειρά σύνδεση.

## 7.3 Προδιαγραφές, πρότυπα και κανονισμοί



## Υπόδειξη

Τηρείτε όλες τις εθνικές και τοπικές προδιαγραφές και τους κανονισμούς.

- Το είδος προστασίας IP 25 (προστασία από δέσμη νερού) διασφαλίζεται μόνο με κατάλληλα τοποθετημένα προστατευτικά περιβλήματα καλωδίων και με χρήση εξαγώνων φρεζάτων βιδών Ø 4,5 mm με μέγ. διάμετρο κεφαλής 9 mm.

- Η ειδική ηλεκτρική αντίσταση του νερού δεν επιτρέπεται να είναι μικρότερη από αυτή που δηλώνεται στην πινακίδα τύπου. Όταν υπάρχει διασυνδεδεμένο δίκτυο νερού, λαμβάνετε υπόψη τη χαμηλότερη ηλεκτρική αντίσταση του νερού. Μπορείτε να πληροφορηθείτε την ειδική ηλεκτρική αντίσταση ή την ηλεκτρική αγωγιμότητα του νερού από την αρμόδια επιχείρηση ύδρευσης.

## 8. Περιγραφή συσκευής

## 8.1 Παραδοτέα

Μαζί με τη συσκευή παραδίδονται τα εξής:

- 2 διπλοί μαστοί 45°
- 2 πλακέ φλάντζες
- 2 δακτύλιοι O
- Προστατευτικό περίβλημα καλωδίου
- Σήτα
- Γέφυρα για προστασία έναντι εγκαυμάτων, κουμπωτή
- Γέφυρα μεταγωγής ρεύματος, κουμπωτή

## 8.2 Αξεσουάρ

## Σετ συναρμολόγησης υδραυλικής εγκατάστασης εντοιχισμένο

Για την εντοιχισμένη υδραυλική εγκατάσταση απαιτούνται τα εξής εξαρτήματα:

- 2 ροδέλες για τη στεγανοποίηση των ανοιγμάτων στο πίσω τοίχωμα της συσκευής.
- Σήτα με στεγανοποιητικό άκρο για τοποθέτηση στον διπλό μαστό 45°.
- Πλακέ φλάντζα

## 9. Προεργασίες

## 9.1 Θέση συναρμολόγησης



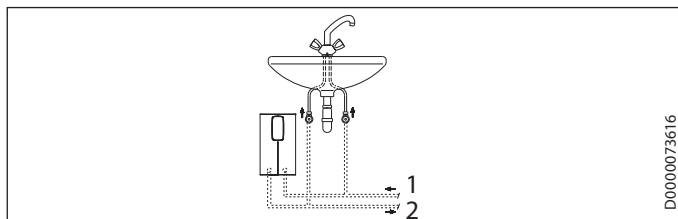
## Υλικές ζημιές

Η εγκατάσταση της συσκευής επιτρέπεται να εκτελείται μόνο σε χώρους χωρίς παγετό.

- Συναρμολογήστε τη συσκευή κατακόρυφα και κοντά στο σημείο λήψης.

Η συσκευή ενδείκνυται για συναρμολόγηση κάτω και πάνω από πάγκο.

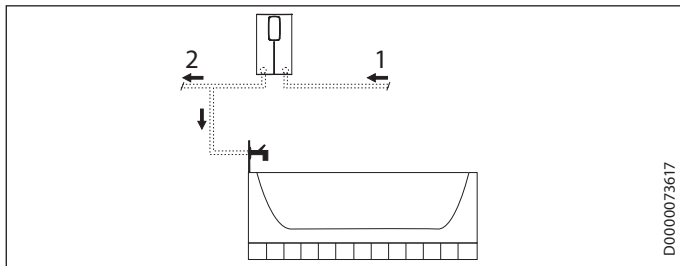
## Συναρμολόγηση κάτω από πάγκο



- 1 Ροή εισόδου κρύου νερού
- 2 Απορροή ζεστού νερού



### Συναρμολόγηση πάνω από πάγκο



- 1 Ροή εισόδου κρύου νερού
- 2 Απορροή ζεστού νερού

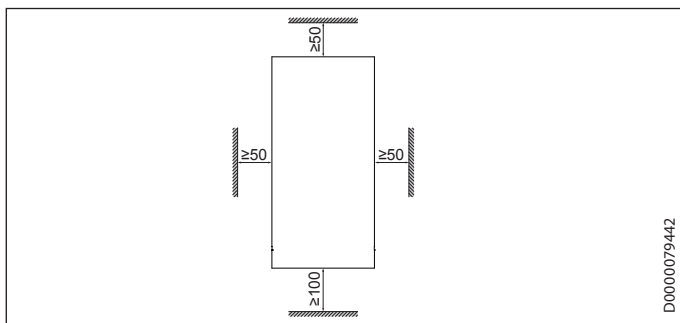
D0000073617



#### Υπόδειξη

- ▶ Συναρμολογήστε τη συσκευή χωνευτά και ισοπέδα στον τοίχο. Ο τοίχος πρέπει να διαθέτει επαρκή φέρουσα ικανότητα.

### 9.2 Ελάχιστες αποστάσεις



D0000079442

- ▶ Τηρείτε τις ελάχιστες αποστάσεις, προκειμένου να διασφαλιστεί η απρόσκοπτη λειτουργία της συσκευής και να μπορούν να εκτελούνται εργασίες συντήρησης στη συσκευή.

### 9.3 Υδραυλική εγκατάσταση



#### Υλικές ζημιές

Εκτελέστε όλες τις εργασίες υδραυλικής σύνδεσης και εγκατάστασης σύμφωνα με τις προδιαγραφές.

- ▶ Εκπλύνετε καλά τον σωλήνα νερού.

#### Μπαταρίες

Χρησιμοποιείτε κατάλληλες μπαταρίες πίεσης. Δεν επιτρέπονται ανοιχτές μπαταρίες.

#### Εγκεκριμένα υλικά των σωλήνων νερού

- Σωλήνας ροής εισόδου κρύου νερού: Γαλβανισμένος χαλυβδοσωλήνας, σωλήνας από ανοξείδωτο χάλυβα, χαλκοσωλήνας ή πλαστικός σωλήνας
- Σωλήνας απορροής ζεστού νερού: Σωλήνας από ανοξείδωτο χάλυβα, χαλκοσωλήνας ή πλαστικός σωλήνας



#### Υλικές ζημιές

Κατά την χρήση συστημάτων σωληνώσεων από πλαστικό, τηρείτε τη μέγιστη επιτρεπόμενη θερμοκρασία ροής εισόδου και τη μέγιστη επιτρεπόμενη πίεση.

#### Ογκομετρική ροή

- ▶ Βεβαιωθείτε ότι επιτυγχάνεται η ογκομετρική ροή για την ενεργοποίηση της συσκευής.
- ▶ Εάν δεν επιτυγχάνεται η απαιτούμενη ογκομετρική ροή όταν η βαλβίδα λήψης είναι εντελώς ανοικτή, αυξήστε την πίεση του σωλήνα νερού.

## 10. Συναρμολόγηση

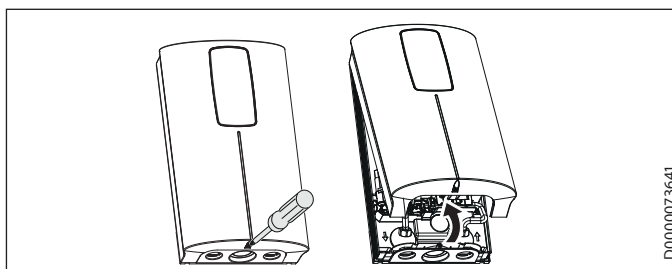
Εργοστασιακές ρυθμίσεις	DCE-X 6/8 Premium	DCE-X 10/12 Premium
Εσωτερική προστασία έναντι εγκαυμάτων σε °C	60	60
Ισχύς σύνδεσης σε kW	@ 220 V	8,0
	@ 230 V	8,7
	@ 240 V	9,6

Στάνταρ εγκατάσταση	DCE-X 6/8 Premium	DCE-X 10/12 Premium
Ηλεκτρική σύνδεση κάτω, επίτοιχη εγκατάσταση κάτω	x	x
Σύνδεση νερού επίτοιχης εγκατάστασης	x	x

Για πρόσθετες δυνατότητες εγκατάστασης, ανατρέξτε στο κεφάλαιο «Εναλλακτικές δυνατότητες συναρμολόγησης».

### 10.1 Στάνταρ εγκατάσταση, επίτοιχη

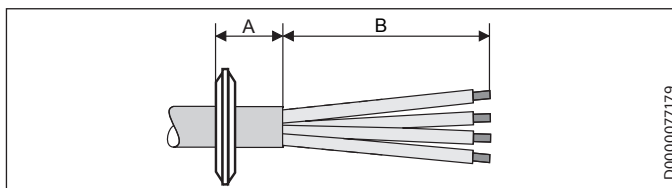
#### Άνοιγμα συσκευής



D0000073641

- ▶ Ανοίξτε τη συσκευή λύνοντας τις βίδες και ανασηκώνοντας το κάλυμμα.

#### Προετοιμασία καλωδίου σύνδεσης ρεύματος



D0000077179

- ▶ Προετοιμάστε το καλώδιο σύνδεσης ρεύματος.

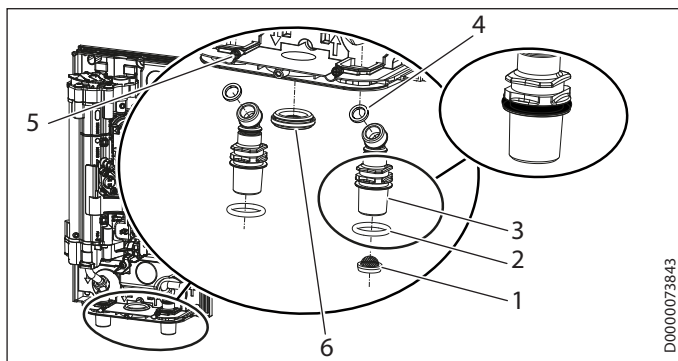
# ΕΓΚΑΤΑΣΤΑΣΗ

## Συναρμολόγηση

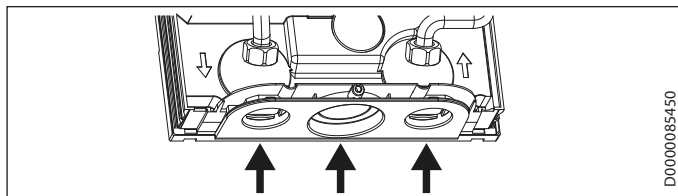
Θέση επίτοιχης εγκατάστασης	Διάσταση A	Διάσταση B
κάτω, κέντρο	30	120
κάτω, αριστερή πλευρά συσκευής	20	90
κάτω, δεξιά πλευρά συσκευής	20	90
επάνω, δεξιά πλευρά συσκευής	20	80

Θέση εντοιχισμένης εγκατάστασης	Διάσταση A	Διάσταση B
κάτω	20	90
επάνω	20	80

### Προεργασίες



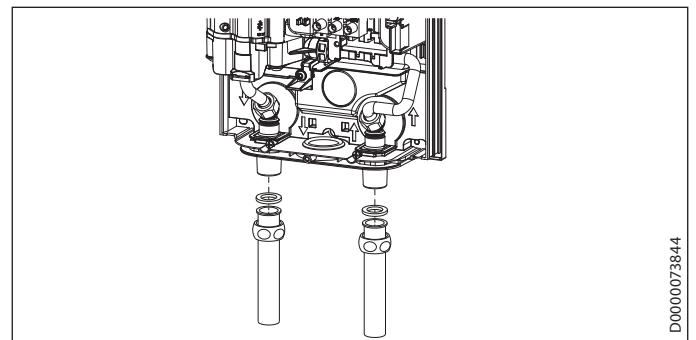
- 1 Σήτα
  - 2 Ο-ρινγκ
  - 3 Διπλός μαστός 45°
  - 4 Πλακέ φλάντζες
  - 5 Βίδες ασφάλισης
  - 6 Προστατευτικό περίβλημα καλωδίου
- ▶ Λύστε τις βίδες ασφάλισης.



- ▶ Χτυπήστε / σπάστε κατά μήκος των σημαδιών τις απαιτούμενες διελεύσεις για το καλώδιο σύνδεσης ρεύματος και τους διπλούς μαστούς από το πίσω τοίχωμα της συσκευής. Για τον σκοπό αυτό, χρησιμοποιήστε το κατάλληλο πλακέ εργαλείο. Απογρεζώστε τις αιχμηρές ακμές με λίμα.
- ▶ Αφαιρέστε τα πώματα προστασίας μεταφοράς από τους σωλήνες σύνδεσης νερού.
- ▶ Ανοίξτε μια τρύπα στο προστατευτικό περίβλημα καλωδίου, σύμφωνα με το επιλεγμένο καλώδιο σύνδεσης. Συναρμολογήστε το προστατευτικό περίβλημα καλωδίου.
- ▶ Συναρμολογήστε τα Ο-ρινγκ στην εγκοπή των διπλών μαστών.
- ▶ Βάλτε τους διπλούς μαστούς στα ανοίγματα του πίσω τοιχώματος της συσκευής και συναρμολογήστε τους με πλακέ φλάντζες στους σωλήνες σύνδεσης της συσκευής (ροπή σύσφιξης 8 Nm).
- ▶ Ασφαλίστε τους διπλούς μαστούς με τις βίδες ασφάλισης.
- ▶ Συναρμολογήστε τη σήτα στον διπλό μαστό της σύνδεσης κρύου νερού.

### Συναρμολόγηση συσκευής

- ▶ Χτυπήστε / σπάστε τις κάτω επιμήκεις οπές (απόσταση 175 mm) για τη στερέωση της συσκευής (για τις θέσεις βλέπε κεφάλαιο «Τεχνικά δεδομένα / Διαστάσεις και συνδέσεις») από το πίσω τοίχωμα της συσκευής. Οι δύο επάνω οπές στερέωσης είναι ήδη ανοιχτές.
- ▶ Σημειώστε τα 4 σημεία διάτρησης με τη βοήθεια του πίσω τοιχώματος της συσκευής.
- ▶ Διατρύπηστε τις οπές και στερεώστε τη συσκευή με κατάλληλα υλικά στερέωσης (οι βίδες και τα ούπατ δεν συμπεριλαμβάνονται στα παραδοτέα): Εξάγωνη φρεζάτη βίδα Ø 4,5 mm με μέγ. διάμετρο κεφαλής 9 mm.



- ▶ Συναρμολογήστε κατάλληλη μπαταρία πίεσης.
- ▶ Βιδώστε τους σωλήνες σύνδεσης νερού της μπαταρίας (δεν συμπεριλαμβάνονται στη συσκευασία παράδοσης) με τις πλακέ φλάντζες στους διπλούς μαστούς.
- ▶ Ανοίξτε τη βαλβίδα φραγής στον σωλήνα ροής εισόδου κρύου νερού.

### Δημιουργία ηλεκτρικής σύνδεσης

**ΠΡΟΕΙΔΟΠΟΙΗΣΗ Ηλεκτροπληξία**  
Εκτελείτε όλες τις ηλεκτρικές εργασίες σύνδεσης και εγκατάστασης σύμφωνα με τις προδιαγραφές.

**ΠΡΟΕΙΔΟΠΟΙΗΣΗ Ηλεκτροπληξία**  
Η σύνδεση στο δίκτυο ρεύματος επιτρέπεται μόνο ως σταθερή σύνδεση σε συνδυασμό με την αφαιρούμενη διέλευση καλωδίων. Η συσκευή πρέπει να μπορεί να αποσυνδεθεί ολοπολικά από τη σύνδεση ηλεκτρικού δικτύου σε εύρος αποσύνδεσης τουλάχιστον 3 mm.

**ΠΡΟΕΙΔΟΠΟΙΗΣΗ Ηλεκτροπληξία**  
Προσέξτε η συσκευή να είναι συνδεδεμένη στον προστατευτικό αγωγό.

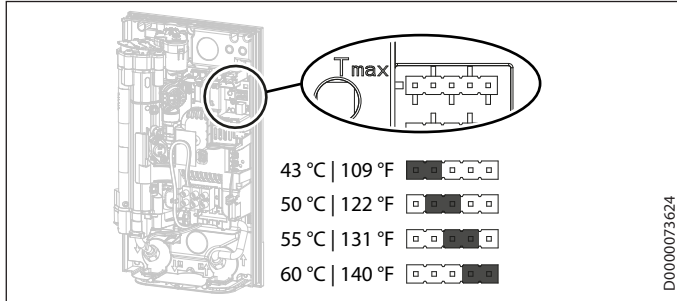
**Υλικές ζημιές**  
Προσέξτε την πινακίδα τύπου. Η αναφερόμενη ονομαστική τάση πρέπει να συμφωνεί με την τροφοδοσία τάσης.

- ▶ Σπρώξτε το καλώδιο σύνδεσης ρεύματος μέσω του προστατευτικού περιβλήματος καλωδίου.
- ▶ Συνδέστε το καλώδιο σύνδεσης ρεύματος στον ακροδέκτη σύνδεσης δικτύου ρεύματος (βλέπε κεφάλαιο «Εγκατάσταση / Τεχνικά δεδομένα / Ηλεκτρικό διάγραμμα»).



## 11. Θέση σε λειτουργία

### 11.1 Εσωτερική προστασία έναντι εγκαυμάτων μέσω θέσης σύνδεσης γέφυρας



- Τοποθετήστε την γέφυρα στην επιθυμητή θέση της πινοσειράς «Tmax».

Θέση γέφυρας	Περιγραφή
43 °C   109 °F	π.χ. σε νηπιαγωγεία, νοσοκομεία, κ.λπ.
50 °C   122 °F	
55 °C   131 °F	μέγ. για λειτουργία ντους
60 °C   140 °F	Εργοστασιακή ρύθμιση
χωρίς γέφυρα	Περιορισμός 43 °C   109 °F



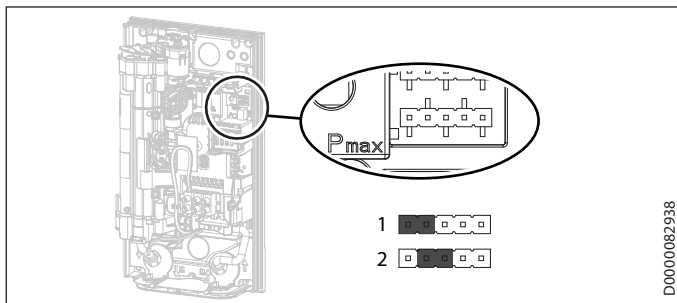
#### ΠΡΟΣΟΧΗ Έγκαυμα

Σε περίπτωση λειτουργίας με προθερμασμένο νερό, π.χ. κατά τη χρήση ηλιακής εγκατάστασης, είναι πιθανή η υπέρβαση της εσωτερικής προστασίας έναντι εγκαυμάτων και του ρυθμιζόμενου από τον χρήστη περιορισμού θερμοκρασίας Tmax.

- Σε αυτήν την περίπτωση πρέπει να μειώνετε τη θερμοκρασία με θερμοστατική μπαταρία που να προηγείται στην εν σειρά σύνδεση.

### 11.2 Αλλαγή της ισχύος σύνδεσης μέσω θέσης σύνδεσης της γέφυρας

Εάν επιθυμείτε στη συσκευή μια ισχύ σύνδεσης διαφορετική από την εργοστασιακή ρύθμιση, πρέπει να αλλάξετε τη θέση της γέφυρας.

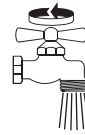


- Τοποθετήστε τη γέφυρα στην επιθυμητή θέση της πινοσειράς «Pmax».

Θέση γέφυρας	Ισχύς σύνδεσης	
	DCE-X 6/8 Premium	DCE-X 10/12 Premium
1	@ 220 V	6,0 kW
	@ 230 V	6,6 kW
	@ 240 V	7,2 kW
2	@ 220 V	8,0 kW
	@ 230 V	8,7 kW
	@ 240 V	9,6 kW
χωρίς γέφυρα	@ 220 V	6,0 kW
	@ 230 V	6,6 kW
	@ 240 V	7,2 kW

### 11.3 Πρώτη θέση σε λειτουργία

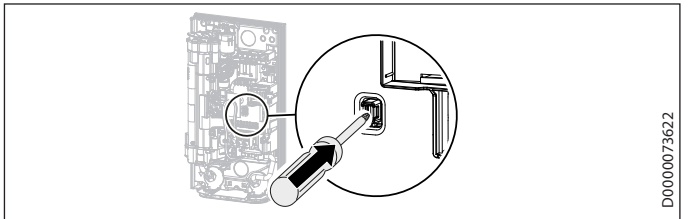
- Σημειώστε την επιλεγμένη ισχύ σύνδεσης επάνω στην πινακίδα τύπου. Για τον σκοπό αυτό, χρησιμοποιήστε ένα στυλό.



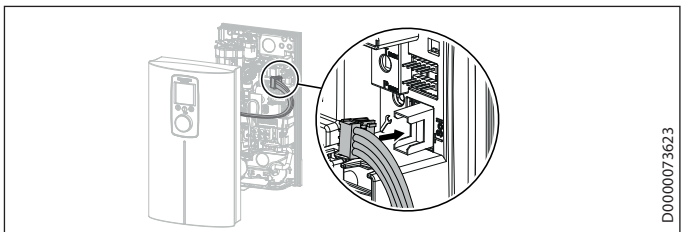
on ≥ 60 s

D0000053277

- Ανοίξτε και κλείστε επανειλημμένα όλες τις συνδεδεμένες βαλβίδες λήψης, ώσπου να διαφύγει ο αέρας από το δίκτυο αγωγών και τη συσκευή.
- Διεξάγετε έλεγχο στεγανότητας.



- Ενεργοποιήστε τον διακόπτη ασφαλείας, πατώντας σταθερά το πλήκτρο επαναφοράς (η συσκευή παραδίδεται με τον διακόπτη ασφαλείας απενεργοποιημένο).

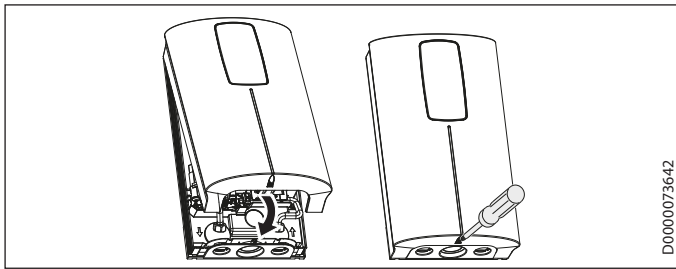


- Εισαγάγετε το φις του καλωδίου σύνδεσης της μονάδας χειρισμού στο ηλεκτρονικό σύστημα.



#### Υπόδειξη

Συνδέστε οπωσδήποτε το καλώδιο σύνδεσης της μονάδας χειρισμού στο ηλεκτρονικό σύστημα, πριν να ενεργοποιήσετε την τάση. Διαφορετικά, η μονάδα χειρισμού είναι εκτός λειτουργίας.



D0000073642

- ▶ Αναρτήστε το κάλυμμα της συσκευής από την επάνω πλευρά πίσω από το πίσω τοίχωμα της συσκευής. Σπρώξτε το κάλυμμα της συσκευής προς τα κάτω. Ελέγξτε τη σταθερή έδραση του καλύμματος της συσκευής επάνω και κάτω.
- ▶ Στερεώστε το καπάκι της συσκευής με τη βίδα.
- ▶ Αφαιρέστε την προστατευτική μεμβράνη από το πεδίο χειρισμού.



D0000053281

- ▶ Ενεργοποιήστε την τροφοδοσία τάσης.
- ▶ Βεβαιωθείτε ότι η μονάδα χειρισμού λειτουργεί σωστά.

### 11.3.1 Μεταβίβαση της συσκευής

- ▶ Εξηγήστε στον χρήστη τη λειτουργία της συσκευής και βοηθήστε τον να εξοικειωθεί με τη χρήση της συσκευής.
- ▶ Υποδείξτε στον χρήστη τους πιθανούς κινδύνους, ειδικά τον κίνδυνο ζεματίσματος.
- ▶ Παραδώστε το εγχειρίδιο.

## 11.4 Επανάληψη θέσης σε λειτουργία



### Υλικές ζημιές

Προκειμένου να μην καταστραφεί το σύστημα θέρμανσης γυμνού σύρματος μετά από διακοπή της υδροδότησης, πρέπει να τηρηθούν τα παρακάτω βήματα για να τεθεί εκ νέου σε λειτουργία η συσκευή.

- ▶ Διακόψτε την τάση προς τη συσκευή, κατεβάζοντας τις ασφάλειες.
- ▶ Ανοίξτε την μπαταρία για τουλάχιστον ένα λεπτό, ώσπου να διαφύγει ο αέρας από τη συσκευή και τον σωλήνα ροής εισόδου κρύου νερού που είναι μπροστά από τη συσκευή.
- ▶ Ενεργοποιήστε ξανά την τροφοδοσία τάσης.

## 12. Θέση εκτός λειτουργίας

- ▶ Αποσυνδέστε ολοπολικά τη συσκευή από τη σύνδεση ηλεκτρικού δικτύου.
- ▶ Εκκενώστε τη συσκευή (βλέπε κεφάλαιο «Συντήρηση / Εκκένωση συσκευής»).

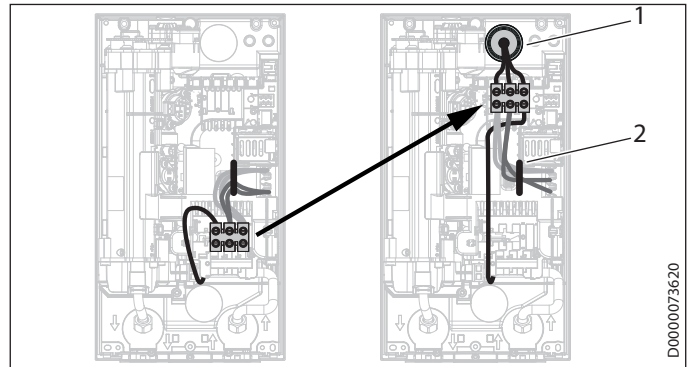
## 13. Εναλλακτικές επιλογές συναρμολόγησης



### ΠΡΟΕΙΔΟΠΟΙΗΣΗ Ηλεκτροπληξία

Σε όλες τις εργασίες αποσυνδέετε ολοπολικά τη συσκευή από τη σύνδεση ηλεκτρικού δικτύου.

### 13.1 Ηλεκτρική σύνδεση εντοιχισμένη, επάνω



D0000073620

- 1 Προστατευτικό περίβλημα καλωδίου
- 2 Κανάλι καλωδίων

- ▶ Βγάλτε την απαιτούμενη διέλευση για το καλώδιο σύνδεσης ρεύματος από το πίσω τοίχωμα της συσκευής (για τις θέσεις, βλέπε κεφάλαια «Τεχνικά δεδομένα / Διαστάσεις και συνδέσεις»). Απογρεζώστε τις αιχμηρές ακμές με λίμα.
- ▶ Ανοίξτε μια τρύπα στο προστατευτικό περίβλημα καλωδίου, σύμφωνα με το επιλεγμένο καλώδιο σύνδεσης. Συναρμολογήστε το προστατευτικό περίβλημα καλωδίου.
- ▶ Μετατοπίστε από κάτω προς τα επάνω την κλέμα σύνδεσης δικτύου ρεύματος. Ασφαλίστε την κλέμα σύνδεσης δικτύου ρεύματος, σπρώχνοντας με δύναμη την κλέμα σύνδεσης δικτύου ρεύματος προς τα αριστερά και τραβώντας προς τα εμπρός. Περιστρέψτε την κλέμα σύνδεσης δικτύου ρεύματος με τα καλώδια σύνδεσης κατά 180° προς τα δεξιά. Περάστε την εσωτερική καλωδίωση κάτω από το κανάλι καλωδίων. Ασφαλίστε την κλέμα σύνδεσης δικτύου ρεύματος, πιέζοντας και σπρώχνοντας την κλέμα σύνδεσης δικτύου ρεύματος προς τα αριστερά, ώσπου να ασφαλίσει.
- ▶ Συναρμολογήστε τη συσκευή και συνδέστε το καλώδιο σύνδεσης ρεύματος στην κλέμα σύνδεσης δικτύου ρεύματος, όπως περιγράφεται στο κεφάλαιο «Συναρμολόγηση / Στάνταρ επίτοιχη συναρμολόγηση».

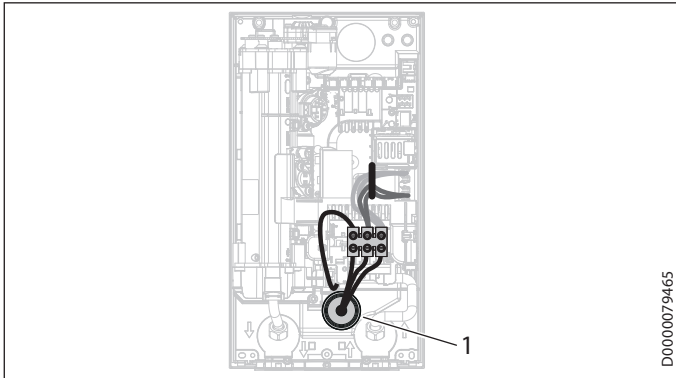


### Υπόδειξη

Αποσυναρμολόγηση κλέμας σύνδεσης δικτύου ρεύματος επάνω:

- ▶ Απασφαλίστε με ένα κατσαβίδι το άγκιστρο ασφάλισης από τη δεξιά πλευρά.

**13.2 Ηλεκτρική σύνδεση εντοιχισμένη κάτω**

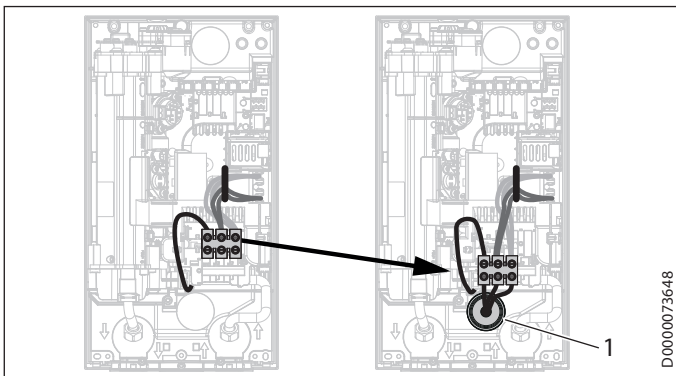


1 Προστατευτικό περίβλημα καλωδίου

- ▶ Βγάλτε την απαιτούμενη διέλευση για το καλώδιο σύνδεσης ρεύματος από το πίσω τοίχωμα της συσκευής (για τις θέσεις, βλέπε κεφάλαια «Τεχνικά δεδομένα / Διαστάσεις και συνδέσεις»). Απογρεζώστε τις αιχμηρές ακμές με λίμα.
- ▶ Ανοίξτε μια τρύπα στο προστατευτικό περίβλημα καλωδίου, σύμφωνα με το επιλεγμένο καλώδιο σύνδεσης. Συναρμολογήστε το προστατευτικό περίβλημα καλωδίου.
- ▶ Συναρμολογήστε τη συσκευή και συνδέστε το καλώδιο σύνδεσης ρεύματος στην κλέμα σύνδεσης δικτύου ρεύματος, όπως περιγράφεται στο κεφάλαιο «Συναρμολόγηση / Στάνταρ επίτοιχη συναρμολόγηση».

**13.3 Ηλεκτρική σύνδεση με κοντό καλώδιο σύνδεσης ρεύματος**

Εάν το καλώδιο σύνδεσης ρεύματος είναι πολύ κοντό, μπορείτε να συναρμολογήσετε την κλέμα σύνδεσης δικτύου ρεύματος της συσκευής πιο κοντά στο άνοιγμα διέλευσης.



1 Προστατευτικό περίβλημα καλωδίου

- ▶ Μετατοπίστε από επάνω προς τα κάτω την κλέμα σύνδεσης δικτύου ρεύματος. Απασφαλίστε την κλέμα σύνδεσης δικτύου ρεύματος, σπρώχνοντας με δύναμη την κλέμα σύνδεσης δικτύου ρεύματος προς τα αριστερά και τραβώντας προς τα εμπρός. Ασφαλίστε την κλέμα σύνδεσης δικτύου ρεύματος κάτω, πιέζοντας και σπρώχνοντας την κλέμα σύνδεσης δικτύου ρεύματος προς τα αριστερά, ώσπου να ασφαλίσει.

**13.4 Ηλεκτρική σύνδεση επίτοιχη, πλευρικά**

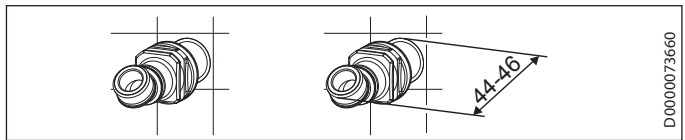
- ▶ Πριονίστε και σπάστε την απαιτούμενη διέλευση για το καλώδιο σύνδεσης ρεύματος από το πίσω τοίχωμα και το καπάκι της συσκευής (για τις θέσεις, βλέπε κεφάλαια «Τεχνικά δεδομένα / Διαστάσεις και συνδέσεις»). Απογρεζώστε τις αιχμηρές ακμές με λίμα.
- ▶ Συναρμολογήστε τη συσκευή και συνδέστε το καλώδιο σύνδεσης ρεύματος στην κλέμα σύνδεσης δικτύου ρεύματος, όπως περιγράφεται στο κεφάλαιο «Συναρμολόγηση / Στάνταρ επίτοιχη συναρμολόγηση».

**13.5 Υδραυλική εγκατάσταση εντοιχισμένη**

Για την εγκατάσταση χρειάζεστε τα αντίστοιχα εξαρτήματα. Το σετ συναρμολόγησης «Υδραυλική εγκατάσταση εντοιχισμένη» περιλαμβάνει:

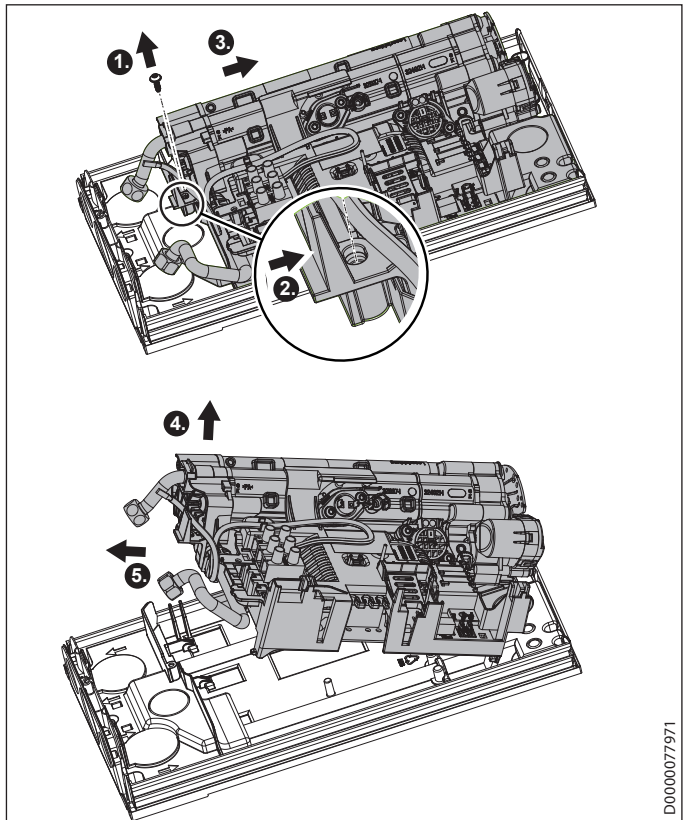
- 2 ροδέλες για τη στεγανοποίηση των ανοιγμάτων στο πίσω τοίχωμα της συσκευής.
- Σήτα με στεγανοποιητικό άκρο για τοποθέτηση στον διπλό μαστό 45°.
- Πλακέ φλάντζα

**Προεργασίες**



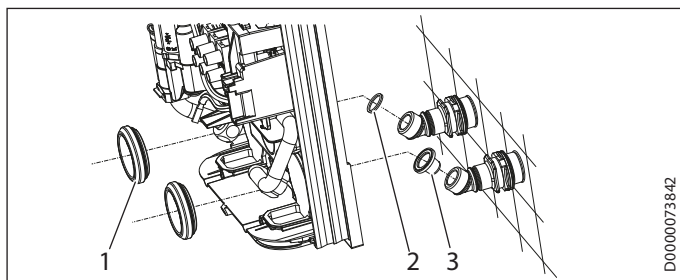
- ▶ Στεγανοποιήστε και βιδώστε τους διπλούς μαστούς 45°.

Για το πέρασμα των διελεύσεων στο πίσω τοίχωμα της συσκευής, πρέπει να αποσυναρμολογήσετε το λειτουργικό υποσύστημα από το πίσω τοίχωμα της συσκευής.



- ▶ Ξεβιδώστε τις βίδες και απασφαλίστε το άγκιστρο ασφαλείας.
- ▶ Σπρώξτε το λειτουργικό υποσύστημα στο πίσω τοίχωμα της συσκευής ελαφρώς προς τα πίσω.
- ▶ Σηκώστε το λειτουργικό υποσύστημα από το πίσω τοίχωμα της συσκευής, τραβώντας το ελαφρώς προς τα εμπρός και αφαιρώντας το.
- ▶ Χτυπήστε / σπάστε από πίσω τις απαιτούμενες διελεύσεις για τις συνδέσεις νερού από το πίσω τοίχωμα της συσκευής (για τις θέσεις, βλέπε κεφάλαια «Τεχνικά δεδομένα / Διαστάσεις και συνδέσεις»). Απογρεζώστε τις αιχμηρές ακμές με λίμα.
- ▶ Συναρμολογήστε το λειτουργικό υποσύστημα στο πίσω τοίχωμα της συσκευής με αντίστροφη σειρά, ώσπου να ασφαλίσει στη θέση του.
- ▶ Στερεώστε το λειτουργικό υποσύστημα με τη βίδα.

**Συναρμολόγηση συσκευής**



- 1 Ροδέλες
  - 2 Πλακέ φλάντζα
  - 3 Σήτα με στεγανοποιητικό άκρο
- ▶ Σημειώστε τα 2 σημεία διάτρησης στο επάνω μέρος του πίσω τοιχώματος της συσκευής με τη βοήθεια του πίσω τοιχώματος της συσκευής.
  - ▶ Συναρμολογήστε τις ροδέλες στο πίσω τοίχωμα της συσκευής από την μπροστινή πλευρά.
  - ▶ Διατρύπηστε τις οπές και στερεώστε τη συσκευή με κατάλληλα υλικά στερέωσης (οι βίδες και τα ούπατ δεν συμπεριλαμβάνονται στα παραδοτέα): Εξάγωνη φρεζάτη βίδα Ø 4,5 mm με μέγ. διάμετρο κεφαλής 9 mm.

**Υπόδειξη**

- ▶ Συναρμολογήστε τη συσκευή χωνευτά και ισοπέδα στον τοίχο. Στερεώστε ενδεχομένως επιπρόσθετα τη συσκευή στα 2 κάτω σημεία στερέωσης. Για τον σκοπό αυτό χτυπήστε / σπάστε τις κάτω επιμήκεις οπές (απόσταση 175 mm) από το πίσω τοίχωμα της συσκευής (για τις θέσεις, βλέπε κεφάλαια «Τεχνικά δεδομένα / Διαστάσεις και συνδέσεις»).

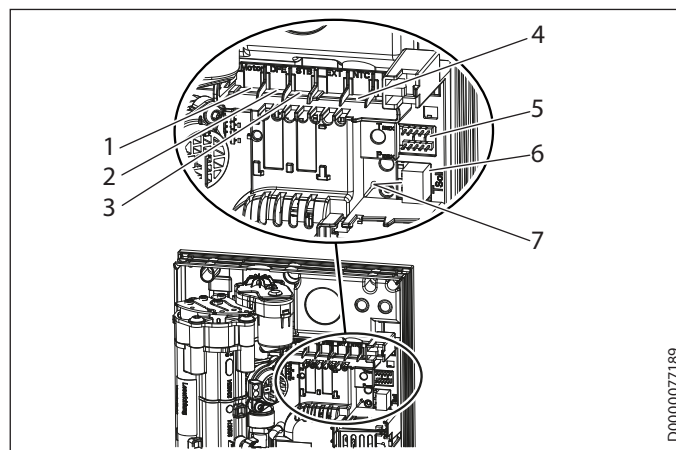
- ▶ Αφαιρέστε τα πώματα προστασίας μεταφοράς από τους σωλήνες σύνδεσης νερού.
- ▶ Βιδώστε στους διπλούς μαστούς τον σωλήνα σύνδεσης ζεστού νερού με μία πλακέ φλάντζα και τον σωλήνα παροχής κρύου νερού με τη σήτα με στεγανοποιητικό άκρο (από τα αξεσουάρ).

**13.6 Λειτουργία με προθερμασμένο νερό**

Με την εγκατάσταση μιας κεντρικής θερμοστατικής μπαταρίας περιορίζεται η μέγιστη θερμοκρασία ροής εισόδου.

**14. Πληροφορίες σέρβις**

**Επισκόπηση συνδέσεων / Επισκόπηση εξαρτημάτων**



- 1 Μηχανοκίνητη βαλβίδα
- 2 Καταγραφή διέλευσης
- 3 Περιοριστής θερμοκρασίας ασφαλείας, αυτόματης επαναφοράς
- 4 Αισθητήρας NTC
- 5 Πινοσειρές για την ισχύ σύνδεσης και την προστασία έναντι εγκαυμάτων
- 6 Θέση κουμπώματος της μονάδας χειρισμού
- 7 Διαγνωστικός σηματοδότης

D000007189



## 15. Αντιμετώπιση βλαβών

**ΠΡΟΕΙΔΟΠΟΙΗΣΗ Ηλεκτροπληξία**

Για να μπορείτε να ελέγξετε τη συσκευή, πρέπει να ασκείται τροφοδοσία τάσης στη συσκευή.

**Υπόδειξη**

Ο έλεγχος της συσκευής με τον διαγνωστικό σηματοδότη πρέπει να πραγματοποιείται με τρεχούμενο νερό.

**Δυνατότητες ενδείξεων του διαγνωστικού σηματοδότη (LED)**

●○○○	Κόκκινο	Ανάβει σε περίπτωση βλάβης
○○●○	Κίτρινο	Ανάβει στη λειτουργία θέρμανσης / αναβοσβήνει όταν προσεγγίζεται το όριο ισχύος
○○○●	Πράσινο	Αναβοσβήνει: Συσκευή στη σύνδεση ηλεκτρικού δικτύου

Διαγνωστικός σηματοδότης (λειτουργία λήψης)	Βλάβη	Αιτία	Αντιμετώπιση
Δεν ανάβει καμία λυχνία LED	Η συσκευή δεν θερμαίνεται	Λείπει μία ή περισσότερες φάσεις της τάσης δικτύου ρεύματος Ηλεκτρονικό σύστημα χαλασμένο	Ελέγξτε τις ασφάλειες στην οικιακή εγκατάσταση Αντικαταστήστε το λειτουργικό υποσύστημα
Πράσινο που αναβοσβήνει, κίτρινο σβηστό, κόκκινο σβηστό	Όχι ζεστό νερό	Η ποσότητα ενεργοποίησης της συσκευής δεν επιτυγχάνεται, η κεφαλή καταιονισμού / ο ρυθμιστής ψεκασμού έχει επικαθίσεις αλάτων Η ποσότητα ενεργοποίησης της συσκευής δεν επιτυγχάνεται, η σήτα στη ροή εισόδου κρύου νερού έχει ρύπους Η καταγραφή διέλευσης δεν είναι συνδεδεμένη Η καταγραφή διέλευσης είναι χαλασμένη ή έχει ρύπους Ηλεκτρονικό σύστημα χαλασμένο	Απομακρύνετε τις επικαθίσεις αλάτων / αντικαταστήστε την κεφαλή καταιονισμού / τον ρυθμιστή ψεκασμού Καθαρίστε τη σήτα Ελέγξτε τη σύνδεση φικ και ενδεχ. διορθώστε τη Αντικαταστήστε την καταγραφή διέλευσης Αντικαταστήστε το λειτουργικό υποσύστημα
Πράσινο που αναβοσβήνει, κίτρινο αναμμένο, κόκκινο σβηστό	Καμία ένδειξη στην οθόνη	Λυμένο καλώδιο σύνδεσης μεταξύ του ηλεκτρονικού συστήματος και της μονάδας χειρισμού Χαλασμένο καλώδιο σύνδεσης μεταξύ του ηλεκτρονικού συστήματος και της μονάδας χειρισμού Μονάδα χειρισμού χαλασμένη Ηλεκτρονικό σύστημα χαλασμένο	Ελέγξτε τις συνδέσεις φικ και ενδεχ. διορθώστε τις Ελέγξτε το καλώδιο σύνδεσης και ενδεχ. αντικαταστήστε το Αντικαταστήστε τη μονάδα χειρισμού Αντικαταστήστε το λειτουργικό υποσύστημα
Πράσινο που αναβοσβήνει, κίτρινο αναμμένο, κόκκινο σβηστό	Καθόλου ζεστό νερό, η θερμοκρασία ροής εξόδου δεν αντιστοιχεί στην προδιαγραφόμενη τιμή	Μπαταρία χαλασμένη Μονάδα χειρισμού μετά την ενεργοποίηση της τάσης δικτύου ρεύματος συνδεδεμένη στο ηλεκτρονικό σύστημα Αισθητήρας ροής εξόδου χαλασμένος Σύστημα θέρμανσης χαλασμένο Ηλεκτρονικό σύστημα χαλασμένο	Αντικαταστήστε την μπαταρία Απενεργοποιήστε τις ασφάλειες στην οικιακή εγκατάσταση και έπειτα ενεργοποιήστε τις ξανά Αντικαταστήστε τον αισθητήρα ροής εξόδου Αντικαταστήστε το λειτουργικό υποσύστημα Αντικαταστήστε το λειτουργικό υποσύστημα
Πράσινο που αναβοσβήνει, κίτρινο που αναβοσβήνει, κόκκινο σβηστό	Καθόλου ζεστό νερό, η θερμοκρασία ροής εξόδου δεν αντιστοιχεί στην προδιαγραφόμενη τιμή	Επιτεύχθηκε το όριο ρύθμισης της μηχανοκίνητης βαλβίδας Μηχανοκίνητη βαλβίδα χαλασμένη	Μειώστε τη ρυθμισμένη θερμοκρασία Αντικαταστήστε τη μηχανοκίνητη βαλβίδα
Πράσινο που αναβοσβήνει, κίτρινο σβηστό, κόκκινο αναμμένο	Καθόλου ζεστό νερό, η θερμοκρασία ροής εξόδου δεν αντιστοιχεί στην προδιαγραφόμενη τιμή	Διεγέρθηκε η αναγνώριση αέρα	Συνεχίστε τη λήψη για >1 λεπτό

**15.1 Ένδειξη κωδικού σφάλματος**

Σε περίπτωση σφάλματος στη συσκευή, στην οθόνη αναβοσβήνει το γερμανικό κλειδί.

- ▶ Για να καλέσετε την ένδειξη κωδικού σφάλματος, κρατήστε πατημένο το πλήκτρο «i» για περισσότερα από 5 δευτερόλεπτα.

Διαγνωστικός σηματοδότης (λειτουργία λήψης)	Ένδειξη στην οθόνη	Βλάβη	Αιτία	Αντιμετώπιση
Πράσινο που αναβοσβήνει, κίτρινο σβηστό, κόκκινο αναμμένο	Το γερμανικό κλειδί αναβοσβήνει (ένδειξη κωδικού σφάλματος E1 και γερμανικό κλειδί)	Καθόλου ζεστό νερό, η θερμοκρασία ροής εξόδου δεν αντιστοιχεί στην προδιαγραφόμενη τιμή	Ο διακόπτης ασφαλείας δεν ενεργοποιήθηκε κατά την «Πρώτη θέση σε λειτουργία»  Ο διακόπτης ασφαλείας ενεργοποιήθηκε από τον περιοριστή θερμοκρασίας ασφαλείας	Ενεργοποιήστε τον διακόπτη ασφαλείας πατώντας σταθερά το πλήκτρο επαναφοράς  Ελέγξτε τον περιοριστή θερμοκρασίας ασφαλείας (σύνδεση φικ, καλώδιο σύνδεσης), ενεργοποιήστε τον διακόπτη ασφαλείας
Πράσινο που αναβοσβήνει, κίτρινο σβηστό, κόκκινο αναμμένο	Το γερμανικό κλειδί αναβοσβήνει (ένδειξη κωδικού σφάλματος E2 και γερμανικό κλειδί)	Όχι ζεστό νερό	Ο διακόπτης ασφαλείας ενεργοποιείται εκ νέου μετά από έλεγχο του περιοριστή θερμοκρασίας ασφαλείας, περιοριστής θερμοκρασίας ασφαλείας χαλασμένος	Αντικαταστήστε τον περιοριστή θερμοκρασίας ασφαλείας, ενεργοποιήστε τον διακόπτη ασφαλείας και πραγματοποιήστε λήψη με μέγιστη προδιαγραφόμενη τιμή >1 λεπτό
Πράσινο που αναβοσβήνει, κίτρινο σβηστό, κόκκινο αναμμένο	Το γερμανικό κλειδί αναβοσβήνει (ένδειξη κωδικού σφάλματος E3 και γερμανικό κλειδί)	Όχι ζεστό νερό	Ο διακόπτης ασφαλείας ενεργοποιείται εκ νέου, ηλεκτρονικό σύστημα χαλασμένο	Αντικαταστήστε το λειτουργικό υποσύστημα
Πράσινο που αναβοσβήνει, κίτρινο σβηστό, κόκκινο αναμμένο	Το γερμανικό κλειδί αναβοσβήνει (ένδειξη κωδικού σφάλματος E2 και γερμανικό κλειδί)	Όχι ζεστό νερό	Ηλεκτρονικό σύστημα χαλασμένο (θραύση ή βραχυκύκλωμα του αισθητήρα ροής εισόδου)	Αντικαταστήστε το λειτουργικό υποσύστημα
Πράσινο που αναβοσβήνει, κίτρινο σβηστό, κόκκινο αναμμένο	Το γερμανικό κλειδί αναβοσβήνει (ένδειξη κωδικού σφάλματος E3 και γερμανικό κλειδί)	Όχι ζεστό νερό	Βραχυκύκλωμα του αισθητήρα αποροής	Ελέγξτε τον αισθητήρα ροής εξόδου και ενδεχ. αντικαταστήστε τον

**16. Συντήρηση**



**ΠΡΟΕΙΔΟΠΟΙΗΣΗ Ηλεκτροπληξία**  
Σε όλες τις εργασίες αποσυνδέετε ολοπολικά τη συσκευή από τη σύνδεση ηλεκτρικού δικτύου. Αυτή η συσκευή περιλαμβάνει πυκνωτές οι οποίοι αποφορτίζονται μετά την αποσύνδεσή τους από το δίκτυο ρεύματος. Η τάση αποφόρτισης του πυκνωτή ενδέχεται για μικρό διάστημα να είναι > 60 V DC.

**16.1 Εκκένωση συσκευής**

Μπορείτε να εκκενώσετε τη συσκευή για τις εργασίες συντήρησης.



**ΠΡΟΕΙΔΟΠΟΙΗΣΗ Έγκαυμα**  
Όταν εκκενώνετε τη συσκευή, ενδέχεται να εκρυσταλλωθεί ζεστό νερό.

- ▶ Κλείστε τη βαλβίδα φραγής στον σωλήνα ροής εισόδου κρύου νερού.
- ▶ Ανοίξτε όλες τις βαλβίδες λήψης.
- ▶ Λύστε τις υδραυλικές συνδέσεις από τη συσκευή.
- ▶ Οι αποσυναρμολογημένες συσκευές επιτρέπεται να αποθηκεύονται μόνο σε χώρους χωρίς παγετό, επειδή στη συσκευή παραμένει υπολειπόμενο νερό που μπορεί να παγώσει και να προκαλέσει ζημιές.

**16.2 Καθαρίστε τη σήτα**



**ΠΡΟΕΙΔΟΠΟΙΗΣΗ Έγκαυμα**  
Όταν εκκενώνετε τη συσκευή, ενδέχεται να εκρυσταλλώσει ζεστό νερό.



- Υλικές ζημιές**  
Προκειμένου να μην καταστραφεί το σύστημα θέρμανσης γυμνού σύρματος μετά από διακοπή της υδροδότησης, πρέπει να τηρηθούν τα παρακάτω βήματα για να τεθεί εκ νέου σε λειτουργία η συσκευή.
- ▶ Διακόψτε την τάση προς τη συσκευή, κατεβάζοντας τις ασφάλειες.
  - ▶ Ανοίξτε την μπαταρία για τουλάχιστον ένα λεπτό, ώσπου να διαφύγει ο αέρας από τη συσκευή και τον σωλήνα ροής εισόδου κρύου νερού που είναι μπροστά από τη συσκευή.
  - ▶ Ενεργοποιήστε ξανά την τροφοδοσία τάσης.

Η σήτα στη βιδωτή σύνδεση κρύου νερού πρέπει να καθαρίζεται τακτικά.

**16.2.1 Καθαρίστε τη σήτα, στάνταρ επίτοιχη συναρμολόγηση**

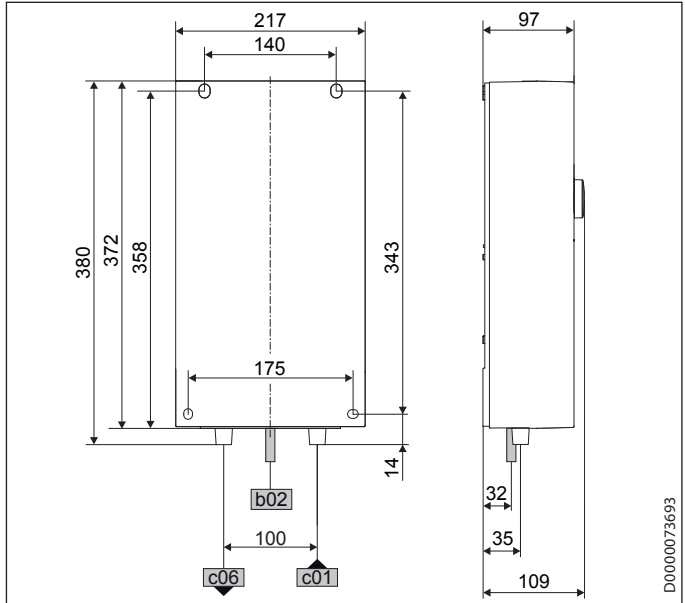
- ▶ Διακόψτε την τάση προς τη συσκευή.
- ▶ Κλείστε τη βαλβίδα φραγής στον σωλήνα ροής εισόδου κρύου νερού.
- ▶ Ανοίξτε όλες τις βαλβίδες λήψης.
- ▶ Αποσυναρμολογήστε τη βιδωτή σύνδεση κρύου νερού.
- ▶ Αφαιρέστε τη σήτα από τον διπλό μαστό με τη βοήθεια ενός πλακέ κατσαβιδιού. Καθαρίστε τη σήτα.
- ▶ Τοποθετήστε ξανά τη σήτα. Βιδώστε τον σωλήνα σύνδεσης κρύου νερού στον διπλό μαστό.
- ▶ Ανοίξτε τη βαλβίδα φραγής στον σωλήνα ροής εισόδου κρύου νερού.
- ▶ Ανοίξτε και κλείστε επανειλημμένα όλες τις συνδεδεμένες βαλβίδες λήψης, ώσπου να διαφύγει ο αέρας από το δίκτυο αγωγών και τη συσκευή.
- ▶ Ενεργοποιήστε την τροφοδοσία τάσης.

**16.2.2 Καθαρίστε τη σήτα, υδραυλική εγκατάσταση κάτω από τον σοβά**

- ▶ Διακόψτε την τάση προς τη συσκευή.
- ▶ Κλείστε τη βαλβίδα φραγής στον σωλήνα ροής εισόδου κρύου νερού.
- ▶ Ανοίξτε όλες τις βαλβίδες λήψης.
- ▶ Ανοίξτε τη συσκευή λύνοντας τις βίδες και ανασηκώνοντας το κάλυμμα.
- ▶ Ξεβιδώστε τον σωλήνα σύνδεσης κρύου νερού από τον διπλό μαστό. Στρέψτε τον σωλήνα σύνδεσης κρύου νερού προς τα επάνω.
- ▶ Αφαιρέστε τη σήτα από τον διπλό μαστό. Καθαρίστε τη σήτα.
- ▶ Βιδώστε τον σωλήνα σύνδεσης κρύου νερού μαζί με τη σήτα με στεγανοποιητικό άκρο στον διπλό μαστό.
- ▶ Ανοίξτε τη βαλβίδα φραγής στον σωλήνα ροής εισόδου κρύου νερού.
- ▶ Ανοίξτε και κλείστε επανειλημμένα όλες τις συνδεδεμένες βαλβίδες λήψης, ώσπου να διαφύγει ο αέρας από το δίκτυο αγωγών και τη συσκευή.
- ▶ Ελέγξτε τη στεγανότητα της σύνδεσης κρύου νερού.
- ▶ Αναρτήστε το κάλυμμα της συσκευής από την επάνω πλευρά πίσω από το πίσω τοίχωμα της συσκευής. Σπρώξτε το κάλυμμα της συσκευής προς τα κάτω. Ελέγξτε τη σταθερή έδραση του καλύμματος της συσκευής επάνω και κάτω. Στερεώστε το καπάκι της συσκευής με τη βίδα.
- ▶ Ενεργοποιήστε την τροφοδοσία τάσης.

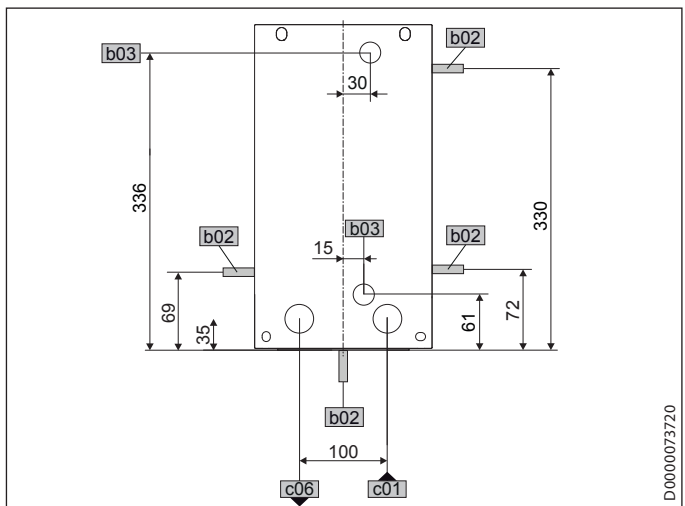
**17. Τεχνικά δεδομένα**

**17.1 Διαστάσεις και συνδέσεις**



		DCE-X Premium	
b02	Διέλευση ηλεκτρ. καλωδίων I	Επίτοιχη	
c01	Ροή εισόδου κρύου νερού	Εξωτερικό σπείρωμα	G 1/2 A
c06	Απορροή ζεστού νερού	Εξωτερικό σπείρωμα	G 1/2 A

**Εναλλακτικές δυνατότητες σύνδεσης**

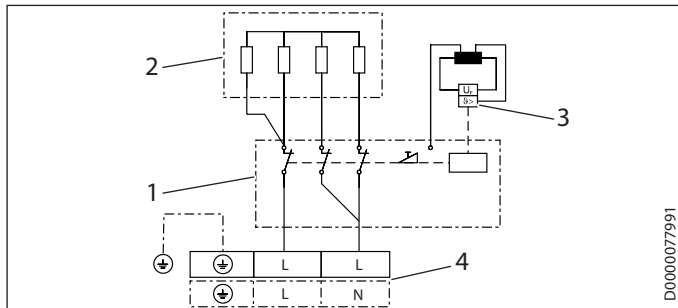


		DCE-X Premium	
b02	Διέλευση ηλεκτρ. καλωδίων I	Επίτοιχη	
b03	Διέλευση ηλεκτρ. καλωδίων II	Εντοιχισμένη	
c01	Ροή εισόδου κρύου νερού	Εξωτερικό σπείρωμα	G 1/2 A
c06	Απορροή ζεστού νερού	Εξωτερικό σπείρωμα	G 1/2 A



17.2 Ηλεκτρικό διάγραμμα

DCE-X Premium	
	2/GRD ~ 220 - 240 V
	1/N/PE ~ 220 - 240 V



- 1 Ηλεκτρονικά ισχύος με ενσωματωμένο διακόπτη ασφαλείας
- 2 Σύστημα θέρμανσης γυμνού σύρματος
- 3 Περιοριστής θερμοκρασίας ασφαλείας
- 4 Κλέμα σύνδεσης δικτύου ρεύματος

17.3 Απόδοση ζεστού νερού

Η απόδοση ζεστού νερού εξαρτάται από την ασκούμενη τροφοδοσία τάσης, την ισχύ σύνδεσης της συσκευής και τη θερμοκρασία ροής εισόδου κρύου νερού. Η ονομαστική τάση και η ονομαστική ισχύς αναγράφονται στην πινακίδα τύπου.

Ισχύς σύνδεσης σε kW			Απόδοση ζεστού νερού 38 °C σε l/min.			
Ονομαστική τάση			Θερμοκρασία ροής εισόδου κρύου νερού			
220 V	230 V	240 V	5 °C	10 °C	15 °C	20 °C

DCE-X 6/8 Premium						
6,0			2,6	3,1	3,7	4,8
8,0			3,5	4,1	5,0	6,3
	6,6		2,9	3,4	4,1	5,2
	8,7		3,8	4,4	5,4	6,9
		7,2	3,1	3,7	4,5	5,7
		9,6	4,2	4,9	6,0	7,6

DCE-X 10/12 Premium						
10,0			4,3	5,1	6,2	7,9
12,0			5,2	6,1	7,5	9,5
	11,0		4,8	5,6	6,8	8,7
	13,1		5,7	6,7	8,1	10,4
		12,0	5,2	6,1	7,5	9,5
		14,3	6,2	7,3	8,9	11,3

Ισχύς σύνδεσης σε kW			Απόδοση ζεστού νερού 50 °C σε l/min.			
Ονομαστική τάση			Θερμοκρασία ροής εισόδου κρύου νερού			
220 V	230 V	240 V	5 °C	10 °C	15 °C	20 °C

DCE-X 6/8 Premium						
6,0			1,9	2,1	2,4	2,9
8,0			2,5	2,9	3,3	3,8
	6,6		2,1	2,4	2,7	3,1
	8,7		2,8	3,1	3,6	4,1
		7,2	2,3	2,6	2,9	3,4
		9,6	3,0	3,4	3,9	4,6

DCE-X 10/12 Premium						
10,0			3,2	3,6	4,1	4,8
12,0			3,8	4,3	4,9	5,7
	11,0		3,5	3,9	4,5	5,2
	13,1		4,2	4,7	5,3	6,2
		12,0	3,8	4,3	4,9	5,7
		14,3	4,5	5,1	5,8	6,8

17.4 Πεδία εφαρμογής / Πίνακας μετατροπής

Ειδική ηλεκτρική αντίσταση και ειδική ηλεκτρική αγωγιμότητα.

Στοιχεία προτύπου στους 15 °C			20 °C			25 °C		
Αντίσταση $\rho \geq$	Αγωγιμότητα $\sigma \leq$		Αντίσταση $\rho \geq$	Αγωγιμότητα $\sigma \leq$		Αντίσταση $\rho \geq$	Αγωγιμότητα $\sigma \leq$	
$\Omega\text{cm}$	mS/m	$\mu\text{S/cm}$	$\Omega\text{cm}$	mS/m	$\mu\text{S/cm}$	$\Omega\text{cm}$	mS/m	$\mu\text{S/cm}$
1100	91	910	970	103	1031	895	112	1117

17.5 Απώλειες πίεσης

Μπαταρίες

Απώλεια πίεσης των μπαταριών σε ογκομετρική ροή 10 l/min		
Μονός μίκτης, περ.	MPa	0,04 - 0,08
Θερμοστατική μπαταρία, περ.	MPa	0,03 - 0,05
Κεφαλή καταιονισμού, περ.	MPa	0,03 - 0,15

Διαστασιολογήσεις δικτύου σωληνώσεων

Για τον υπολογισμό των διαστασιολογήσεων δικτύου σωληνώσεων συνιστάται μια απώλεια πίεσης 0,1 MPa για τη συσκευή.

17.6 Συνθήκες βλάβης

Σε περίπτωση βλάβης μπορούν να εμφανιστούν παροδικά στην εγκατάσταση επιβαρύνσεις έως 80 °C με πίεση 1,0 MPa.

17.7 Στοιχεία για την κατανάλωση ενέργειας

Δελτίο δεδομένων προϊόντος: Συμβατική συσκευή προετοιμασίας ζεστού νερού σύμφωνα με τον κανονισμό (ΕΕ) αρ. 812/2013 | 814/2013

	DCE-X 6/8 Premium	DCE-X 10/12 Premium
	238158	238159
Κατασκευαστής	STIEBEL ELTRON	STIEBEL ELTRON
Προφίλ φορτίου	XS	XS
Κλάση ενεργειακής αποδοτικότητας	A	A
Ενεργός βαθμός απόδοσης	%	39
Ετήσια κατανάλωση ρεύματος	kWh	472
Εργοστασιακή θερμοκρασιακή ρύθμιση	°C	60
Στάθμη ισχύος θορύβου	dB(A)	15
Ειδικές υποδείξεις για τη μέτρηση της αποδοτικότητας	Μετρημένη σε βαθμίδα ECO με μέγιστη διέλευση, μέγιστη ισχύ και μέγιστη προδιαγραφόμενη τιμή.	Μετρημένη σε βαθμίδα ECO με μέγιστη διέλευση, μέγιστη ισχύ και μέγιστη προδιαγραφόμενη τιμή.
Ημερήσια κατανάλωση ρεύματος	kWh	2,161

## 17.8 Πίνακας δεδομένων

		DCE-X 6/8 Premium			DCE-X 10/12 Premium		
		238158			238159		
<b>Ηλεκτρικά δεδομένα</b>							
Όνομαστική τάση	V	220	230	240	220	230	240
Όνομαστική ισχύς	kW	6,0/8,0	6,6/8,7	7,2/9,6	10,0/12,0	11,0/13,1	12,0/14,3
Όνομαστικό ρεύμα	A	27,3/36,4	28,5/38,0	30,0/40,0	45,5/54,5	47,8/57,0	50,0/59,5
Ασφάλεια	A			30/40			50/60
Συχνότητα	Hz			50/60			50/60
Φάσεις				1/N/PE			1/N/PE
Ειδική αντίσταση ρ15 ≥	Ω cm			1100			1100
Ειδική αγωγιμότητα σ15 ≤	μS/cm			910			910
Μέγ. σύνθετη αντίσταση δικτύου στα 50 Hz	Ω	0,0385	0,0368	0,0353	0,0257	0,0245	0,0235
<b>Συνδέσεις</b>							
Υδραυλική σύνδεση				G 1/2 A			G 1/2 A
<b>Όρια εφαρμογής</b>							
Μέγ. επιτρεπόμενη πίεση	MPa			1			1
Μέγ. θερμοκρασία ροής εισόδου για ζέσταμα	°C			55			55
Περιοχή θερμοκρασιακής ρύθμισης	°C			Off, 20-60			Off, 20-60
<b>Τιμές</b>							
Μέγ. θερμοκρασία ροής εισόδου (π.χ. θερμική απολύμανση)	°C			70			70
Ενεργό	l/min			1,3			1,3
Ογκομετρική ροή σε 28 K	l/min			3,1/4,1 @ 220 V			5,1/6,2 @ 220 V
Ογκομετρική ροή σε 50 K	l/min			1,7/2,3 @ 220 V			2,9/3,5 @ 220 V
Απώλεια πίεσης για ογκομετρική ροή σε 50 K (χωρίς περιοριστή διέλευσης)	MPa			0,01/0,01			0,02/0,03
<b>Υδραυλικά δεδομένα</b>							
Όνομαστική χωρητικότητα	l			0,277			0,277
<b>Εκδόσεις</b>							
Είδος συναρμολόγησης				Πάνω από πάγκο/κάτω από πάγκο			Πάνω από πάγκο/κάτω από πάγκο
Ισχύς σύνδεσης επιλέξιμη				X			X
Κλάση προστασίας				1			1
Μονωτικό μπλοκ				Πλαστικό			Πλαστικό
Σύστημα θέρμανσης με γεννήτρια θερμότητας				Γυμνό σύρμα			Γυμνό σύρμα
Καπάκι και πίσω τοίχωμα				Πλαστικό			Πλαστικό
Χρώμα				λευκό			λευκό
Είδος προστασίας (IP)				IP25			IP25
<b>Διαστάσεις</b>							
Ύψος	mm			372			372
Πλάτος	mm			217			217
Βάθος	mm			109			109
Βάρη							
Βάρος	kg			2,5			2,5

**Υπόδειξη**

Η συσκευή συμμορφώνεται με το πρότυπο IEC 61000-3-12.

**Εγγύηση**

Για τις συσκευές που έχουν αγοραστεί εκτός Γερμανίας δεν ισχύουν οι όροι εγγύησης των γερμανικών εταιρειών. Επίσης, στις χώρες στις οποίες τα προϊόντα μας πωλούνται από θυγατρική μας εταιρεία, η παροχή εγγύησης είναι δυνατή μόνο από τη συγκεκριμένη θυγατρική εταιρεία. Μια τέτοια εγγύηση παρέχεται μόνο όταν η θυγατρική εταιρεία έχει εκδώσει δικούς της όρους εγγύησης. Δεν παρέχεται καμία περαιτέρω εγγύηση.

Για τις συσκευές που έχουν αγοραστεί σε χώρες, στις οποίες τα προϊόντα μας δεν πωλούνται από θυγατρική μας εταιρεία, δεν παρέχεται καμία εγγύηση. Τυχόν συμφωνημένες εγγυήσεις από τον εισαγωγέα δεν θίγονται από την παρούσα.

**Περιβάλλον και ανακύκλωση**

Βοηθήστε στην προστασία του περιβάλλοντος. Απορρίψτε τα υλικά μετά τη χρήση σύμφωνα με τους εθνικούς κανονισμούς.

## СПЕЦИАЛЬНЫЕ УКАЗАНИЯ

## ЭКСПЛУАТАЦИЯ

<b>1. Общие указания</b>	<b>101</b>
1.1 Указания по технике безопасности	101
1.2 Другие обозначения в данной документации	101
1.3 Единицы измерения	101
<b>2. Техника безопасности</b>	<b>101</b>
2.1 Использование по назначению	101
2.2 Общие указания по технике безопасности	101
2.3 Знак технического контроля	102
<b>3. Описание устройства</b>	<b>102</b>
<b>4. Настройки и индикация</b>	<b>102</b>
4.1 Интерфейс пользователя	102
4.2 Символы на дисплее	103
4.3 Настройка заданной температуры	103
4.4 Ограничение температуры при помощи внутренней защиты от ошпаривания (специалист)	103
4.5 Ограничение температуры T <sub>max</sub> (пользователь)	103
4.6 Назначение температуры кнопкам памяти	103
4.7 Указание о температуре воды на входе	103
4.8 Меню информации	103
4.9 Настройки в меню параметров	104
4.10 Рекомендации по настройкам	105
<b>5. Чистка, уход и техническое обслуживание</b>	<b>106</b>
<b>6. Поиск и устранение проблем</b>	<b>106</b>

## УСТАНОВКА

<b>7. Техника безопасности</b>	<b>106</b>
7.1 Общие указания по технике безопасности	106
7.2 Режим душа	106
7.3 Предписания, стандарты и положения	107
<b>8. Описание устройства</b>	<b>107</b>
8.1 Комплект поставки	107
8.2 Принадлежности	107
<b>9. Подготовительные мероприятия</b>	<b>107</b>
9.1 Место монтажа	107
9.2 Минимальные расстояния	107
9.3 Водопроводные работы	107
<b>10. Монтаж</b>	<b>108</b>
10.1 Стандартный открытый монтаж	108
<b>11. Ввод в эксплуатацию</b>	<b>109</b>
11.1 Установка внутренней защиты от обваривания с помощью перемычки	109
11.2 Переналадка мощности с помощью перемычки	110
11.3 Первый ввод в эксплуатацию	110
11.4 Повторный ввод в эксплуатацию	111
<b>12. Вывод из эксплуатации</b>	<b>111</b>
<b>13. Варианты монтажа</b>	<b>111</b>
13.1 Электроподключение скрытое, сверху	111
13.2 Электроподключение снизу при скрытой проводке	111
13.3 Подключение к системе электроснабжения при коротком кабеле питания	112

13.4 Боковое электроподключение при открытом монтаже	112
13.5 Скрытый монтаж водопровода	112
13.6 Работа с предварительно подогретой водой	113
<b>14. Сервисная информация</b>	<b>113</b>
<b>15. Поиск и устранение неисправностей</b>	<b>114</b>
15.1 Коды ошибок	115
<b>16. Техническое обслуживание</b>	<b>115</b>
16.1 Опорожнение прибора	115
16.2 Очистить сетчатый фильтр	115
<b>17. Технические характеристики</b>	<b>116</b>
17.1 Размеры и соединения	116
17.2 Электрическая схема	117
17.3 Производительность по горячей воде	117
17.4 Рабочие диапазоны / Таблица пересчета данных	117
17.5 Потери давления	117
17.6 Возможные неисправности	117
17.7 Характеристики энергопотребления	118
17.8 Таблица параметров	118

## ГАРАНТИЯ

## ЗАЩИТА ОКРУЖАЮЩЕЙ СРЕДЫ И УТИЛИЗАЦИЯ

# СПЕЦИАЛЬНЫЕ УКАЗАНИЯ

- Детям старше 3 лет, а также лицам с ограниченными физическими и умственными способностями, не имеющим опыта и не владеющим информацией о приборе, разрешено использовать прибор только под присмотром других лиц или после соответствующего инструктажа о правилах безопасного пользования и потенциальной опасности в случае несоблюдения этих правил. Не допускать игр детей с прибором. Дети могут выполнять чистку прибора и те виды технического обслуживания, которые обычно производятся пользователем, только под присмотром взрослых.
- Во время работы смеситель может нагреваться до температуры 70 °С. При температуре воды на выходе выше 43 °С существует опасность обваривания.
- Прибор подходит для снабжения горячей водой душа (режим душа). Если прибор будет периодически или постоянно использоваться в режиме душа, специалист должен ограничить температуру посредством внутренней защиты от обваривания, установив ограничение на 55 °С или ниже. При использовании предварительно подогретой воды необходимо убедиться, что температура подачи не будет превышать 55 °С.
- Прибор должен отключаться от сети с размыканием контактов по всем полюсам не менее 3 мм.
- Напряжение сети должно совпадать с указанным на табличке.
- Прибор необходимо подключить к проводу заземления.
- Прибор должен быть подключен к стационарной электрической проводке.
- Закрепить прибор, как описано в главе «Установка / Монтаж».
- Убедиться, что давление соответствует максимально допустимому (см. главу «Установка / Технические характеристики / Таблица параметров»).
- Удельное электрическое сопротивление воды не должно быть ниже указанного на заводской табличке (см. главу «Установка / Технические характеристики / Таблица параметров»).
- При опорожнении прибора следовать указаниям главы «Установка / Техническое обслуживание / Опорожнение прибора».

# ЭКСПЛУАТАЦИЯ

## 1. Общие указания

Главы «Специальные указания» и «Эксплуатация» предназначены для пользователя и специалиста.

Глава «Установка» предназначена для специалиста.



### Указание

Перед началом эксплуатации следует внимательно прочитать данное руководство и сохранить его. При необходимости передать настоящее руководство следующему пользователю.

### 1.1 Указания по технике безопасности

#### 1.1.1 Структура указаний по технике безопасности



**СИГНАЛЬНОЕ СЛОВО Вид опасности**  
Здесь приведены возможные последствия несоблюдения указания по технике безопасности.  
► Здесь приведены мероприятия по предотвращению опасности.

#### 1.1.2 Символы, вид опасности

Символ	Вид опасности
	Травма
	Поражение электрическим током
	Ожог (ожог, обваривание)

#### 1.1.3 Сигнальные слова

СИГНАЛЬНОЕ СЛОВО	Значение
ОПАСНОСТЬ	Указания, несоблюдение которых приводит к серьезным травмам или к смертельному исходу.
ПРЕДУПРЕЖДЕНИЕ	Указания, несоблюдение которых может привести к серьезным травмам или к смертельному исходу.
ОСТОРОЖНО	Указания, несоблюдение которых может привести к травмам средней тяжести или к легким травмам.

### 1.2 Другие обозначения в данной документации



### Указание

Общие указания обозначены приведенным рядом с ними символом.  
► Внимательно прочитайте тексты указаний.

Символ	Значение
	Материальный ущерб (повреждение оборудования, косвенный ущерб и ущерб окружающей среде)
	Утилизация устройства

► Этот символ указывает на необходимость выполнения определенных действий. Описание необходимых действий приведено шаг за шагом.

### 1.3 Единицы измерения



### Указание

Если не указано иное, все размеры указаны в миллиметрах.

## 2. Техника безопасности

### 2.1 Использование по назначению

Прибор предназначен для нагрева холодной воды или дополнительного подогрева воды, нагретой ранее. Прибор может обеспечивать одну или несколько точек отбора.

В случае превышения максимально допустимой температуры догреваемой воды на входе догрев не производится.

Прибор предназначен для бытового использования. Для его безопасного обслуживания пользователю не требуется проходить инструктаж. Возможно использование прибора не только в быту, но и, например, на предприятиях малого бизнеса, при условии соблюдения тех же условий эксплуатации.

Любое иное или не указанное в настоящем руководстве использование данного устройства считается использованием не по назначению. Использование по назначению подразумевает соблюдение требований настоящего руководства, а также руководств к используемым принадлежностям.

### 2.2 Общие указания по технике безопасности



#### ОСТОРОЖНО ожог

Во время работы смеситель может нагреваться до температуры 70 °С.  
При температуре воды на выходе выше 43 °С существует опасность обваривания.



#### ОСТОРОЖНО ожог

Если прибором пользуются дети или лица с ограниченными физическими, сенсорными и умственными способностями, установить режим постоянного ограничения температуры. Проверить правильность работы с заданным ограничением температуры.  
Если требуется длительное и постоянное ограничение температуры, необходимо обратиться к специалисту, чтобы установить внутреннюю защиту от ошпаривания.





### ОСТОРОЖНО ожог

При работе с предварительно нагретой водой, например, при использовании солнечной системы отопления, учитывать следующее:

Температура горячей воды может превышать заданное значение расчетной температуры или предельное значение температуры.

► В этом случае ограничение задается посредством предустановленного центрального термостатического смесителя.



### ПРЕДУПРЕЖДЕНИЕ травма

Детям старше 3 лет, а также лицам с ограниченными физическими и умственными способностями, не имеющим опыта и не владеющим информацией о приборе, разрешено использовать прибор только под присмотром других лиц или после соответствующего инструктажа о правилах безопасного пользования и потенциальной опасности в случае несоблюдения этих правил. Не допускать игр детей с прибором. Дети могут выполнять чистку прибора и те виды технического обслуживания, которые обычно производятся пользователем, только под присмотром взрослых.



### Материальный ущерб

Пользователь должен обеспечить защиту прибора и смесителя от замерзания.



### Указание

Для обеспечения степени защиты IP 25 крепить прибор на стенке нужно с помощью винтов с потайной головкой.

## 2.3 Знак технического контроля

См. заводскую табличку на приборе.

## 3. Описание устройства

При открытии крана горячей воды на смесителе прибор включается автоматически. При закрытии смесителя прибор автоматически выключается.

Прибор подогревает проходящую через него воду. Расчетная температура является регулируемой. При достижении определенной скорости потока система регулирования регулирует мощность нагрева в зависимости от установленной температуры и температуры холодной воды.

Проточный нагреватель с полным электронным управлением имеет автоматическую подстройку мощности, обеспечивающую постоянную температуру воды на выходе. Благодаря электронному блоку управления и клапану с моторным приводом вода нагревается до заданной температуры с точностью до градуса. Это происходит независимо от температуры подачи.

Если прибор работает с предварительно подогретой водой, а температура на входе превышает заданную, входная температура отображается во второй строке дисплея и мигает. Вода не догревается.

Для быстрого вызова можно сохранить несколько разных значений расчетной температуры. В режиме ECO встроенный моторный клапан ограничивает расход согласно трем предварительно заданным ступеням. Прибор также позволяет устанавливать ограничение температуры (функция Tmax, пользователь) и оснащен внутренней защитой от ошпаривания (специалист). Фоновая подсветка регулируется автоматически при протекании воды через прибор или при изменении значения в интерфейсе пользователя. Фоновая подсветка выключается автоматически, после завершения действий в интерфейсе пользователя и после завершения отбора воды.

### Нагревательная система

Нагревательная система с нагревательным элементом открытого типа закрыта пластмассовой оболочкой, выдерживающей давление. Нагревательная система с нагревательной спиралью из нержавеющей стали пригодна для мягкой и жесткой воды, так как она практически невосприимчива к образованию накипи. Нагревательная система обеспечивает быстрое и эффективное снабжение горячей водой.

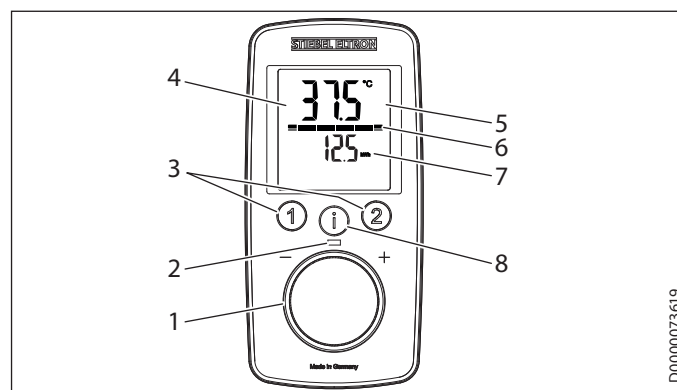


### Указание

Прибор оснащен системой обнаружения воздуха, которая предотвращает повреждение системы нагрева. Если во время эксплуатации прибора в него попадает воздух, прибор отключает нагрев на одну минуту, защищая тем самым свою нагревательную систему.

## 4. Настройки и индикация

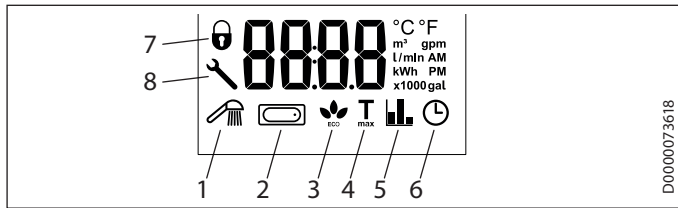
### 4.1 Интерфейс пользователя



- 1 Поворотный переключатель
- 2 Светодиодный индикатор работы (мигает при достижении предельной мощности)
- 3 Кнопки сохранения температуры
- 4 Дисплей с подсветкой
- 5 Главный индикатор | Информационный индикатор | Индикатор параметров
- 6 Сегментный индикатор [10–100%]
- 7 Вторая строка дисплея
- 8 Кнопка «i» для вызова информации и выбора меню

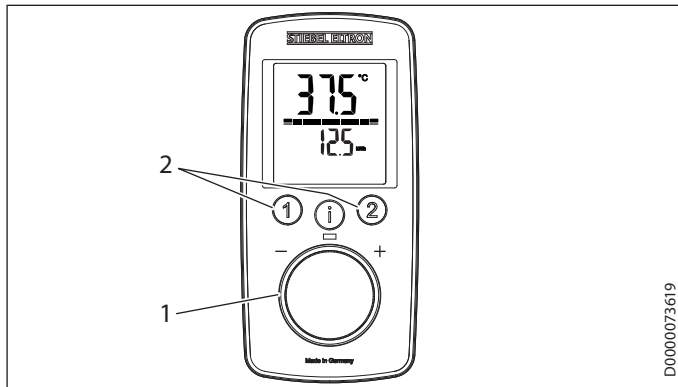
**4.2 Символы на дисплее**

При активации на дисплее появляются символы.



- 1 Оздоровительный душ
- 2 Автоматический контроль расхода воды
- 3 Индикация экономного режима
- 4 Tmax, индикация при активированном ограничении температуры
- 5 Индикация расхода
- 6 Время
- 7 Блокировка управления [вкл./выкл.]
- 8 Символ гаечного ключа, появляется при неисправности прибора

**4.3 Настройка заданной температуры**



- 1 Настройка заданной температуры: OFF, 20–60 °C
- 2 Вызов/назначение желаемых температур

Настройки			
Настройка	Шаг	Настройка	Шаг
20 °C ... 60 °C	0,5 °C	68 °F ... 140 °F	1 °F

**4.4 Ограничение температуры при помощи внутренней защиты от ошпаривания (специалист)**

По желанию клиента специалист может установить постоянно действующее ограничение температуры, например, в детском саду, больнице и т. п.

При подаче воды в душ специалист должен ограничить температурный диапазон на приборе показателем 55 °C или ниже.

Если при активированной функции защиты от обваривания достигается установленное значение температуры, символ «Tmax» мигает.

**4.5 Ограничение температуры Tmax (пользователь)**

Можно устанавливать индивидуальное ограничение температуры. При активации ограничения температуры на дисплее появляется «Tmax».

**Включение и отключение ограничения температуры Tmax**

См. главу «Настройки в меню параметров».

**4.6 Назначение температуры кнопкам памяти**

Кнопкам памяти «1» и «2» можно назначить нужную температуру.

- ▶ Установить нужную температуру.
- ▶ Для сохранения нужной температуры нажать и как минимум 3 секунды удерживать кнопку «1» или «2». Выбор температуры подтверждается однократным миганием.

**4.7 Указание о температуре воды на входе**

Если прибор работает с предварительно подогретой водой, а температура на входе превышает заданную, входная температура отображается во второй строке дисплея и мигает. Вода не догревается.

**4.8 Меню информации**

На приборе предусмотрена дополнительная индикация значений расхода.

**4.8.1 Вызов меню информации**

- ▶ Ненадолго нажать кнопку «i» до появления «i 1», затем еще раз нажать кнопку «i».
- ▶ Чтобы выйти из меню, следует нажать и как минимум 5 секунд удерживать кнопку «i». Альтернативный вариант: через 30 секунд бездействия пункт меню закрывается автоматически.

Меню	Описание	Пояснения	Индикация   Дисплей
I 1	Расход	Индикация фактического объема потока.	Расход в литрах или галлонах в минуту
I 2	Время	Индикация текущего времени.	Время
I 3	Потребление энергии	Индикация потребленной энергии.	Значение в кВт*ч
I 4	Расход воды	Индикация потребленной воды.	Значение в м³ или галлонах

**Указание**  
Значения расхода рассчитываются с момента последнего сброса.



### 4.9 Настройки в меню параметров

#### 4.9.1 Активация меню параметров

- ▶ Нажать и как минимум 5 секунд удерживать кнопку «i» до появления индикации «P 1», затем еще раз нажать кнопку «i».
- ▶ В выбранном меню параметров повернуть поворотный переключатель настройки температуры на нужную индикацию/настройку.

#### 4.9.2 Меню параметров

Меню	Описание	Выбираемая индикация   Настройка	Пояснения	Символ   Дисплей
P 1	Функция экономии воды и энергии ECO	OFF   ECO1   ECO2   ECO3	При помощи функции «ECO» можно ограничить расход, установив его максимальное значение. Ограничение расхода: 6 л/мин для ECO1   5 л/мин для ECO2   4 л/мин для ECO3   без ограничения расхода в случае «OFF».	
P 2	Ограничение температуры Tmax	OFF   20,0   20,5 ... °C или 68   69 ... °F	С помощью функции ограничения температуры пользователь может установить максимальный предел заданной температуры. Проконтролировать, правильно ли применен верхний предел температуры. Дополнительно специалист может задать температуру защиты от обваривания. Это значение будет верхним пределом диапазона настройки для ограничения температуры.	
P 3	Оздоровительный душ	OFF   Pro1   Pro2   Pro3   Pro4	В программе «Оздоровительный душ» можно выбирать одну из 4 различных программ переключения душа. ГВ (WW) = горячая вода, ХВ (KW) = холодная вода, мин = минуты, с = секунды - 1 – Профилактика простуды С целью закаливания рекомендуем завершать процедуру холодным душем; это позволит запустить механизм рефлекторного согревания организма.  - 2 – Зимняя свежесть Для освежающего завершения процедуры – холодный душ с возвратом к теплоте.  - 3 – Летний фитнес Быстро переключающийся контрастный душ для повышения тонуса организма, в конце – возврат к теплоте.  - 4 – Программа кровообращения Холодный душ для рук и ног стимулирует кровообращение. При этом струи движутся от кистей и ступней к туловищу. Эту процедуру можно затем повторить с теплой водой. 	
P 4	Автоматическое регулирование расхода воды, объем устанавливается в выбранных единицах	OFF   5   10   ... 200 л или 2 ... 52 галлона	Автоматическое регулирование расхода воды позволяет устанавливать объем воды, например для наполнения ванны. При достижении заданного объема автоматическая система снижает скорость потока воды. Систему автоматического регулирования расхода необходимо активировать перед каждым наполнением ванны. Пример наполнения ванны вместимостью 80 л (21 галлон): после подачи в ванну 80 л (21 галлона) автоматическая система снижает расход до 4 л/мин (1 галлона в минуту).	
P 5	Единица температуры	C   F	Выбор единицы температуры для всех настроек.	°C   °F
P 6	Единица объема	L   GAL	Выбор единицы объема для всех настроек.	l   gal

Меню	Описание	Выбираемая индикация   Настройка	Пояснения	Символ   Дисплей
P 7	Формат времени	24h   12h	Выбрать формат времени.	🕒
P 8	Настройка часов	--:--	Можно установить время в 12- или 24-часовом формате: - 12 часов 00:00-11:59 = AM   11:59-00:00 = PM - 24 ч с 00:00 до 23:59 После каждого отключения электропитания текущее время необходимо устанавливать заново.	AM   PM (только при варианте 12h)
P 9	Блокирование управления	On   OFF	Можно выполнить включение («On») или отключение («OFF») блокировки управления. Деактивация установленной блокировки управления: ▶ Нажать и более 12 секунд удерживать кнопку «i».	🔒 (Только при варианте On)
P 10	Сброс до заводских настроек	Reset-5Et)	Сброс настроек прибора и восстановление заводских настроек. На дисплее отображается «rSEt» ▶ Одновременно нажать и более 5 секунд удерживать кнопки «1» и «2». Индикация изменяется на «On», подтверждая сброс. ▶ Для подтверждения «On» нажать и более 5 секунд удерживать кнопку «i».	
P 11	Сброс значений расхода	Reset-5Et   📊)	Позволяет выполнить сброс значений расхода. На дисплее отображается «rSEt» ▶ Одновременно нажать и более 5 секунд удерживать кнопки «1» и «2». Индикация изменяется на «On», подтверждая сброс. ▶ Для подтверждения «On» нажать и более 5 секунд удерживать кнопку «i».	
P 12	Подсветка фона	Auto   On	Настройка фоновой подсветки дисплея. - При выборе «Auto» фоновая подсветка включается в режиме нагрева и при любом действии управления. В случае отсутствия действий в течение 30 секунд фоновая подсветка отключается. - При выборе режима «Вкл» («On») фоновая подсветка горит постоянно.	
P 13	Затемнение подсветки	100%   20% 📊)	Можно задать 2 уровня яркости фоновой подсветки.	

### 4.9.3 Деактивация меню параметров

- ▶ Чтобы выйти из меню, следует нажать и как минимум 5 секунд удерживать кнопку «i». Альтернативный вариант: через 30 секунд бездействия пункт меню закрывается автоматически.

## 4.10 Рекомендации по настройкам

Проточный нагреватель обеспечивает максимально точную и максимально комфортную подготовку горячей воды. Если прибор при этом эксплуатируется с термостатическим смесителем, то необходимо учитывать следующие рекомендации:

- ▶ Задать на приборе температуру выше 50 °C. В таком случае заданная температура устанавливается на термостатическом смесителе.

### Экономия энергии

Рекомендованные настройки требуют минимальных затрат энергии:

- 38 °C для умывальника, душа, ванны
- 55 °C для кухонной мойки

### Внутренняя защита от обваривания (устанавливается специалистом)

По желанию клиента специалист может установить постоянно действующее ограничение температуры, например, в детском саду, больнице и т. п.

### Рекомендации для настроек при использовании термостатического смесителя и предварительном подогреве воды в гелиоустановке

- ▶ Установить ручку регулятора температуры на максимальное значение.

### После отключения подачи воды



#### Материальный ущерб

Чтобы избежать повреждения нагревательной системы с открытым нагревательным элементом, в случае нарушения водоснабжения следует выполнить описанную ниже процедуру повторного ввода прибора в эксплуатацию.

- ▶ Обесточить прибор, отключив предохранители.
- ▶ Открыть вентиль смесителя на одну минуту, пока из прибора и линии подачи холодной воды не будет удален весь воздух.
- ▶ Вновь включить электропитание.

## 5. Чистка, уход и техническое обслуживание

- ▶ Не использовать абразивные или едкие чистящие средства. Для ухода за прибором и очистки корпуса достаточно влажной тканевой салфетки.
- ▶ Необходимо регулярно проверять смесители. Известковые отложения на изливе смесителя можно удалить с помощью имеющихся в продаже средств для удаления накипи.

## 6. Поиск и устранение проблем

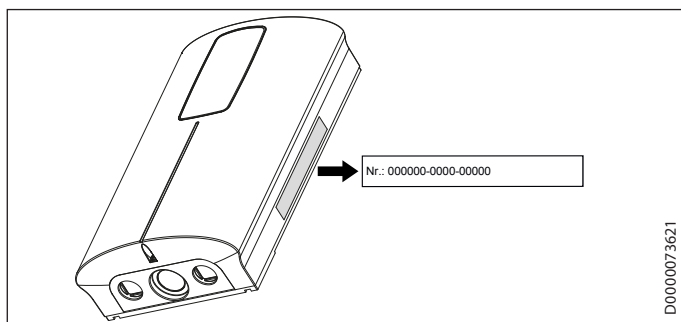
Проблема	Причина	Способ устранения
Прибор не включается, несмотря на полностью открытый кран горячей воды.	Отсутствует напряжение.	Проверить предохранители домашней электросети.
	Загрязнение или известкование регулятора струи или душевой лейки.	Очистить регулятор струи или душевую лейку и / или удалить известковый налет.
	Водоснабжение отключено.	Удалить воздух из прибора и трубопровода подачи холодной воды.
В начале отбора горячей воды некоторое время течет холодная вода.	Система обнаружения воздуха распознает наличие воздуха в воде. Нагрев выключается на короткое время.	Прибор включится самостоятельно через 1 минуту.
Желаемая температура не устанавливается.	Активировано ограничение температуры и/или внутренняя защита от обваривания.	Отключить ограничение температуры. Внутренняя защита от обваривания может быть изменена только специалистом.
Слишком малый объемный расход.	Активирована функция ECO.	Выбрать другую ступень ECO или деактивировать функцию ECO.
Нельзя изменить настройки на панели управления.	Включена блокировка управления.	Для отключения блокировки управления нажать и более 12 секунд удерживать кнопку «i».



### Указание

Индикация на пульте управления и выбранные настройки сохраняются и после обесточивания (за исключением времени на часах).

Если невозможно устранить эту неисправность самостоятельно, нужно вызвать специалиста. Чтобы специалист смог оперативно помочь, следует сообщить ему номер прибора с заводской таблички (000000-0000-000000).



## УСТАНОВКА

### 7. Техника безопасности

Установка, ввод в эксплуатацию, а также техническое обслуживание и ремонт прибора должны производиться только квалифицированным специалистом.

#### 7.1 Общие указания по технике безопасности

Безупречная работа и эксплуатационная безопасность прибора гарантируются только при использовании соответствующих оригинальных принадлежностей и оригинальных запчастей.



#### Материальный ущерб

Необходимо учитывать максимально допустимое значение температуры подачи. При более высоких температурах подачи возможно повреждение прибора. При установке центрального термостатического смесителя максимальную температуру подаваемой воды можно ограничить.



#### ПРЕДУПРЕЖДЕНИЕ поражение электрическим током

В этом приборе имеются конденсаторы, которые разряжаются после отключения от сети электропитания. Напряжение разряда конденсатора может в ряде случаев кратковременно превышать 60 В пост. тока.

#### 7.2 Режим душа



#### ОСТОРОЖНО ожог

▶ Если душ имеет встроенную защиту от ошпаривания, установить температуру 55 °C или ниже (см. главу «Ввод в эксплуатацию / Подготовительные работы»).



#### ОСТОРОЖНО ожог

При работе с предварительно нагретой водой, например, при использовании солнечной системы отопления, учитывать следующее: Температура горячей воды может превышать заданное значение расчетной температуры или предельное значение температуры.

▶ В этом случае ограничение задается посредством предустановленного центрального термостатического смесителя.

### 7.3 Предписания, стандарты и положения



#### Указание

Необходимо соблюдать все национальные и региональные предписания и положения.

- Степень защиты IP 25 (защита от брызг воды) обеспечивается только при условии правильной установки кабельной втулки и использовании винтов с уплотненными головками диаметром 4,5 мм (диаметр головки не более 9 мм).
- Удельное электрическое сопротивление воды не должно быть ниже указанного на заводской табличке! Если речь идет об объединенной системе водоснабжения, необходимо учитывать наименьшее электрическое сопротивление воды. Выяснить удельное электрическое сопротивление или электропроводность воды на предприятии водоснабжения.

## 8. Описание устройства

### 8.1 Комплект поставки

В комплект поставки прибора входят:

- 2 двойных ниппеля 45°
- 2 плоских уплотнения
- 2 уплотнительных кольца
- Кабельная втулка
- Сетчатый фильтр
- Перемычка для защиты от обваривания, установлена
- Перемычка для переключения мощности, установлена

### 8.2 Принадлежности

#### Монтажный набор для скрытого монтажа водопровода

Для скрытого монтажа водопровода требуются такие принадлежности:

- 2 втулки для уплотнения отверстий в задней стенке прибора
- сетчатый фильтр для установки в 45-градусный двойной ниппель
- плоское уплотнение

## 9. Подготовительные мероприятия

### 9.1 Место монтажа



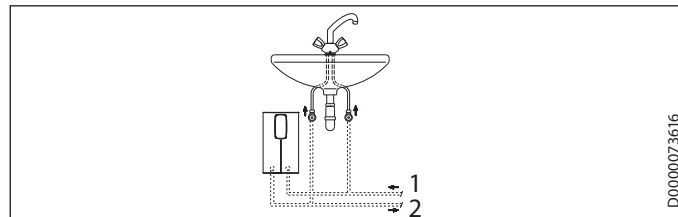
#### Материальный ущерб

Устанавливать прибор можно только в отопляемом помещении.

- Устанавливать прибор следует вертикально, в непосредственной близости от точки отбора воды.

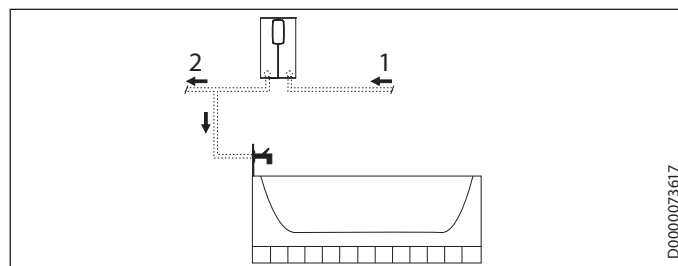
Прибор можно устанавливать под раковиной или над ней.

### Монтаж под раковиной



- 1 Подвод холодной воды
- 2 Выпуск горячей воды

### Монтаж над раковиной



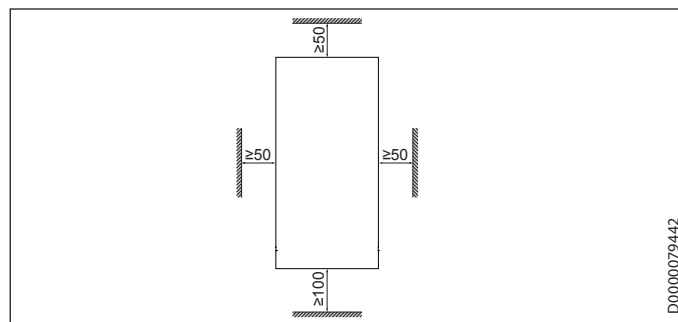
- 1 Подвод холодной воды
- 2 Выпуск горячей воды



#### Указание

- Монтировать прибор следует вровень со стеной. Стена должна обладать достаточной несущей способностью.

### 9.2 Минимальные расстояния



- Необходимо соблюдать минимальные расстояния, чтобы обеспечить бесперебойную эксплуатацию устройства и проведение технического обслуживания.

### 9.3 Водопроводные работы



#### Материальный ущерб

Все работы по подключению воды и установке прибора необходимо производить в соответствии с инструкцией.

- Тщательно промыть водопроводную систему.

### Смесители

Использовать подходящие напорные смесители. Запрещено использовать безнапорные смесители.

### Разрешенные материалы для водопроводных труб

- Трубопровод подачи холодной воды: труба из горячеоцинкованной стали, нержавеющей стали, меди или пластика
- Трубопровод горячей воды: труба из нержавеющей стали, меди или пластика



### Материальный ущерб

При использовании пластмассовых труб нужно учитывать максимально допустимую температуру на входе и максимально допустимое давление.

### Объемный расход

- ▶ Необходимо убедиться, что объемный расход достаточен для включения прибора.
- ▶ Если при полностью открытом раздаточном кране требуемый объемный расход не достигается, следует повысить давление в водопроводной магистрали.

## 10. Монтаж

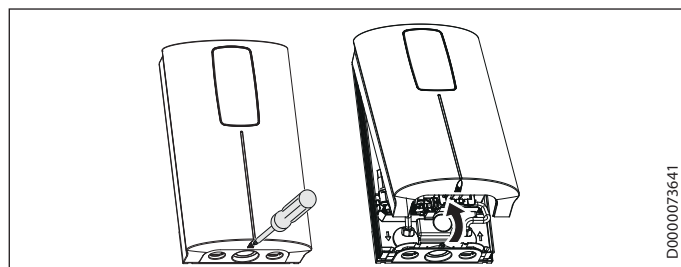
Заводские настройки	DCE-X 6/8 Premium	DCE-X 10/12 Premium
Внутренняя защита от обваривания, °C	60	60
Потребляемая мощность, кВт	при 220 В	8,0
	при 230 В	8,7
	при 240 В	9,6

Стандартный монтаж	DCE-X 6/8 Premium	DCE-X 10/12 Premium
Подключение к электросети снизу, открытый монтаж снизу	x	x
Подключение к водопроводу при открытом монтаже	x	x

Другие способы монтажа см. главу «Варианты монтажа».

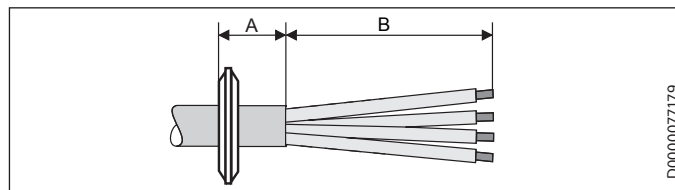
### 10.1 Стандартный открытый монтаж

#### Открывание прибора



- ▶ Открыть прибор, отпустив винт и откинув крышку прибора.

### Подготовка кабеля питания

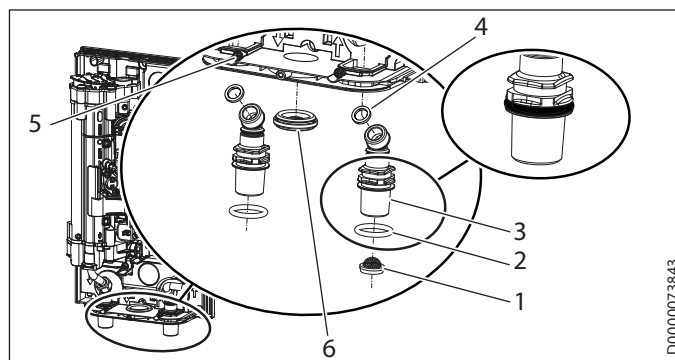


- ▶ Подготовить кабель питания.

Позиция открытого монтажа	Размер А	Размер В
Внизу, посередине	30	120
Внизу, с левой стороны прибора	20	90
Внизу, с правой стороны прибора	20	90
Вверху, с правой стороны прибора	20	80

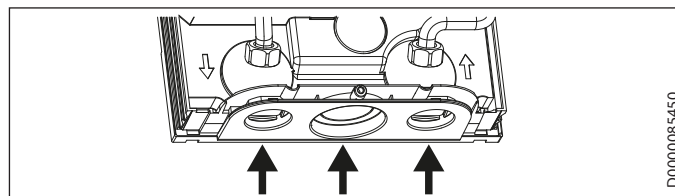
Позиция скрытого монтажа	Размер А	Размер В
внизу	20	90
вверху	20	80

### Подготовительные мероприятия



- 1 Сетчатый фильтр
- 2 Уплотнительные кольца
- 3 Двойной ниппель 45°
- 4 Плоские уплотнения
- 5 Стопорные винты
- 6 Кабельная втулка

- ▶ Отпустить стопорные винты.



- ▶ Пробить/выломать по насечкам в задней стенке прибора необходимые входы для кабеля питания и двойных ниппелей. Использовать для этого подходящий плоский инструмент. Острые кромки зачистить напильником.
- ▶ Удалить транспортные заглушки из патрубков для подключения воды.
- ▶ Вырезать в кабельной втулке отверстие согласно выбранному соединительному проводу. Смонтировать кабельную втулку.
- ▶ Установить уплотнительные кольца в пазы двойных ниппелей.



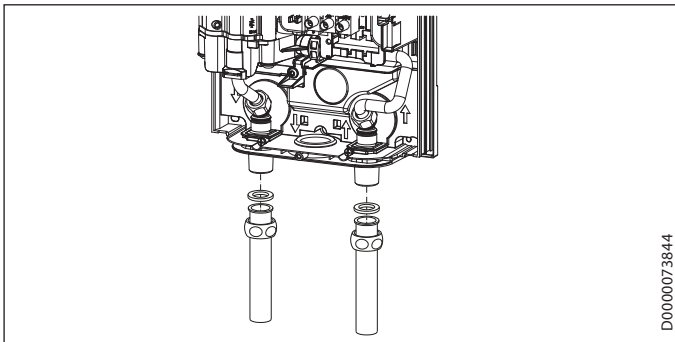
# УСТАНОВКА

## Ввод в эксплуатацию

- ▶ Вставить двойные ниппели в отверстия на задней стенке прибора и подключить их к соединительным патрубкам прибора, используя плоские уплотнения (момент затяжки 8 Нм).
- ▶ Зафиксировать двойные ниппели стопорными винтами.
- ▶ Установить сетчатый фильтр в двойной ниппель подвода холодной воды.

### Монтаж прибора

- ▶ Выбить/выломать из задней стенки прибора нижние продольные отверстия (расстояние 175 мм), предназначенные для крепления прибора (позиции см. в главе «Технические характеристики / Размеры и соединения»). Оба верхних крепежных отверстия уже готовы для использования.
- ▶ Наметить четыре точки сверления, используя заднюю стенку прибора.
- ▶ Просверлить отверстия и закрепить прибор подходящим крепежным материалом (винты и дюбели не входят в комплект поставки): винт с потайной головкой диаметром 4,5 мм, макс. диаметр головки – 9 мм.



- ▶ Выполнить монтаж соответствующего напорного смесителя.
- ▶ Прикрутить патрубки смесителя (не входят в комплект поставки) к двойным ниппелям, установив плоские уплотнения.
- ▶ Открыть запорный кран на линии подачи холодной воды.

### Подключение к сети электропитания



**ПРЕДУПРЕЖДЕНИЕ** поражение электрическим током

Все работы по электрическому подключению и установке необходимо производить в соответствии с инструкцией.



**ПРЕДУПРЕЖДЕНИЕ** поражение электрическим током

Подключение к электросети допустимо только в неразъемном исполнении, со съемной кабельной втулкой. Прибор должен отключаться от сети с размыканием контактов по всем полюсам не менее 3 мм.



**ПРЕДУПРЕЖДЕНИЕ** поражение электрическим током  
Проверить подключение прибора к защитному проводу.



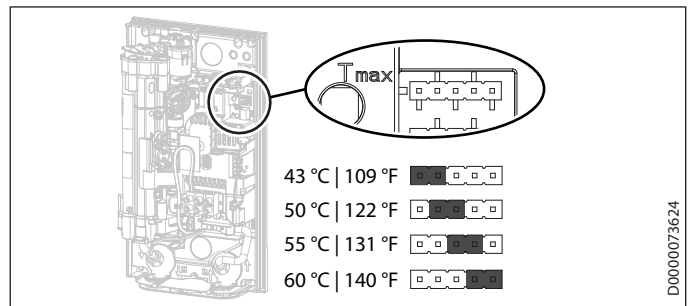
**Материальный ущерб**

Учитывать данные на заводской табличке. Указанное номинальное напряжение сети должно совпадать с фактическим.

- ▶ Пропустить кабель питания через кабельную втулку.
- ▶ Подключить кабель питания к соединительной клемме (см. главу «Установка / Технические характеристики / Электрическая схема»).

## 11. Ввод в эксплуатацию

### 11.1 Установка внутренней защиты от обваривания с помощью перемычки



- ▶ Установить перемычку в нужную позицию на контактной панели «Tmax».

Позиция перемычки	Описание
43 °C   109 °F	Например, в детском саду, больнице и т. п.
50 °C   122 °F	
55 °C   131 °F	Макс. для режима душа
60 °C   140 °F	Заводская настройка
Без перемычки	Ограничение 43 °C   109 °F



**ОСТОРОЖНО** ожог

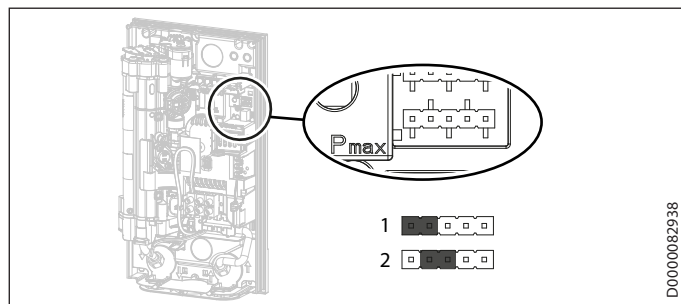
При работе с предварительно нагретой водой, например, при использовании солнечной системы отопления, возможно превышение заданного предельного значения Tmax и температуры внутренней защиты от ошпаривания.

- ▶ В этом случае ограничение задается посредством предустановленного центрального термостатического смесителя.



### 11.2 Перенастройка мощности с помощью перемычки

Чтобы выбрать на приборе присоединяемую мощность, которая отличается от установленной на заводе, нужно переставить перемычку.

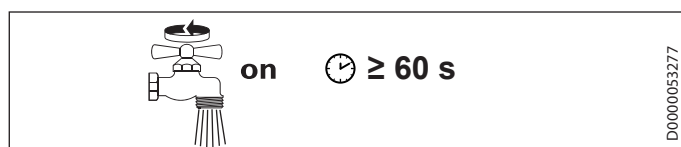


- ▶ Установить перемычку в нужную позицию на контактной панели «Pmax».

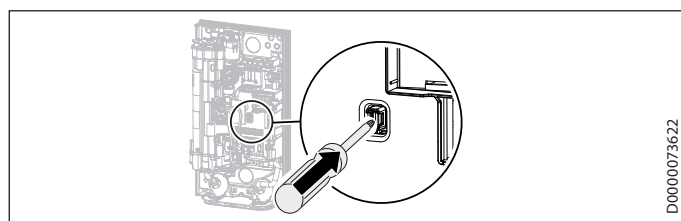
Позиция перемычки	Мощность	
	DCE-X 6/8 Premium	DCE-X 10/12 Premium
1	при 220 В	6,0 кВт
	при 230 В	6,6 кВт
	при 240 В	7,2 кВт
2	при 220 В	8,0 кВт
	при 230 В	8,7 кВт
	при 240 В	9,6 кВт
Без перемычки	при 220 В	6,0 кВт
	при 230 В	6,6 кВт
	при 240 В	7,2 кВт

### 11.3 Первый ввод в эксплуатацию

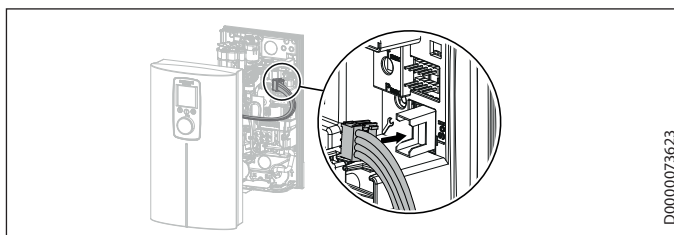
- ▶ Выбранную мощность отметить на заводской табличке крестиком. Для этого использовать шариковую ручку.



- ▶ Многократно открывать и закрывать все подключенные раздаточные краны до тех пор, пока из водопроводной сети и прибора не выйдет весь воздух.
- ▶ Выполнить проверку герметичности.

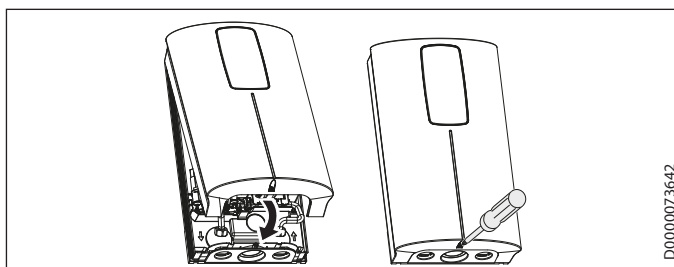


- ▶ Включить предохранительный выключатель, плотно вдавив кнопку сброса (при поставке прибора функция предохранительного выключателя неактивна).



- ▶ Подключить кабель пульта управления к электронному блоку.

**Указание**  
Кабель пульта управления необходимо подключить к электронному блоку до подачи напряжения. Иначе пульт управления не будет работать.



- ▶ Зацепить крышку прибора сверху за заднюю стенку прибора. Опустить крышку прибора. Проверить плотность посадки крышки прибора вверх и вниз.
- ▶ Закрепить крышку прибора с помощью винта.
- ▶ Снять защитную пленку с интерфейса пользователя.



- ▶ Включить электропитание.
- ▶ Удостовериться, что пульт управления работает должным образом.

#### 11.3.1 Передача устройства

- ▶ Объяснить пользователю принцип работы устройства и ознакомить его с правилами использования устройства.
- ▶ Указать пользователю на возможные опасности, особенно на опасность обваривания.
- ▶ Передать данное руководство.

### 11.4 Повторный ввод в эксплуатацию



#### Материальный ущерб

Чтобы избежать повреждения нагревательной системы с открытым нагревательным элементом, в случае нарушения водоснабжения следует выполнить описанную ниже процедуру повторного ввода прибора в эксплуатацию.

- ▶ Обесточить прибор, отключив предохранители.
- ▶ Открыть смеситель как минимум на одну минуту, чтобы из прибора и линии подачи холодной воды вышел весь воздух.
- ▶ Вновь включить электропитание.

## 12. Вывод из эксплуатации

- ▶ Полностью обесточить прибор с размыканием контактов на всех полюсах.
- ▶ Опорожнить прибор (см. главу «Техобслуживание / Опорожнение прибора»).

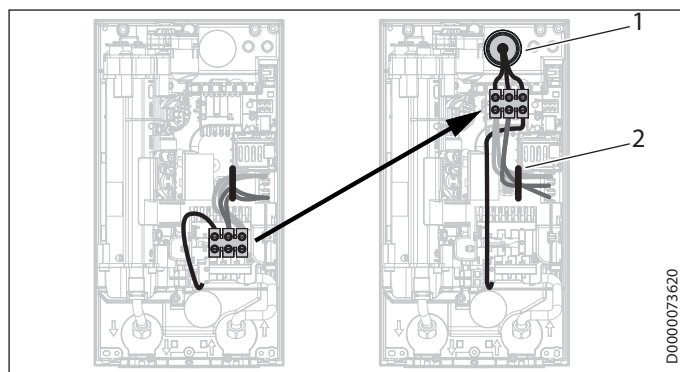
## 13. Варианты монтажа



**ПРЕДУПРЕЖДЕНИЕ** поражение электрическим током

При любых работах необходимо полное отключение прибора от сети.

### 13.1 Электроподключение скрытое, сверху



- 1 Кабельная втулка
- 2 Направляющая для кабеля

- ▶ Выломать необходимое проходное отверстие для кабеля питания на задней стенке прибора (расположение см. в главе «Технические характеристики / Размеры и соединения»). Острые кромки зачистить напильником.
- ▶ Вырезать в кабельной втулке отверстие согласно выбранному соединительному проводу. Смонтировать кабельную втулку.

- ▶ Переместить соединительную клемму снизу вверх. Для этого снять фиксацию соединительной клеммы, с силой сдвинув ее влево и вытянув вперед. Повернуть соединительную клемму с кабелями на 180° по часовой стрелке. Пропустить внутреннюю проводку под направляющую для кабеля. Зафиксировать соединительную клемму, вдавив ее и сдвинув влево до фиксации.
- ▶ Смонтировать прибор и присоединить кабель питания к соединительной клемме, как описано в главе «Монтаж / Стандартный открытый монтаж».

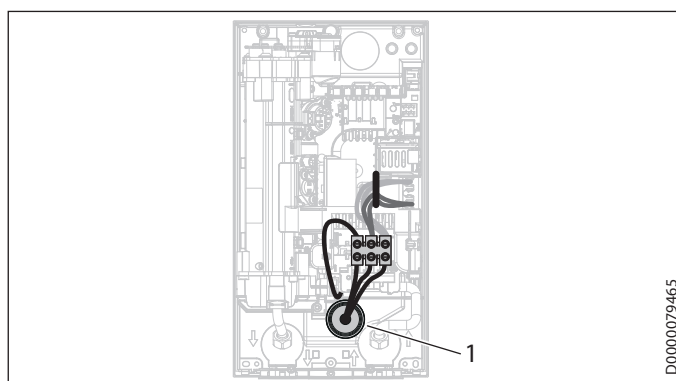


#### Указание

Снятие верхней соединительной клеммы, расположенной сверху:

- ▶ с помощью отвертки разблокировать фиксатор с правой стороны.

### 13.2 Электроподключение снизу при скрытой проводке

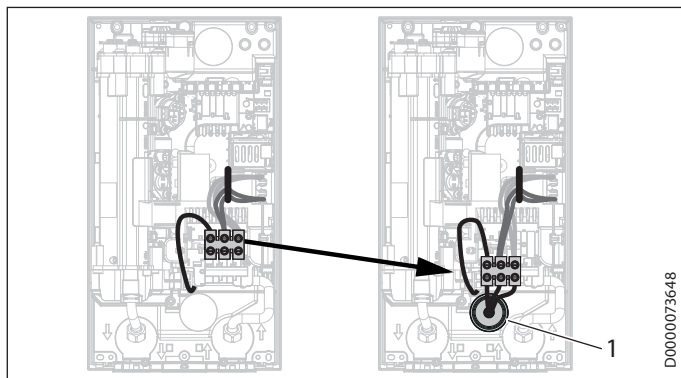


- 1 Кабельная втулка

- ▶ Выломать необходимое проходное отверстие для кабеля питания на задней стенке прибора (расположение см. в главе «Технические характеристики / Размеры и соединения»). Острые кромки зачистить напильником.
- ▶ Вырезать в кабельной втулке отверстие согласно выбранному соединительному проводу. Смонтировать кабельную втулку.
- ▶ Смонтировать прибор и присоединить кабель питания к соединительной клемме, как описано в главе «Монтаж / Стандартный открытый монтаж».

### 13.3 Подключение к системе электроснабжения при коротком кабеле питания

Если кабель питания короткий, соединительную клемму прибора можно смонтировать ближе к проходному отверстию.



1 Кабельная втулка

- ▶ Переместить соединительную клемму сверху вниз. Для этого снять фиксацию соединительной клеммы, с силой сдвинув ее влево и вытянув вперед. Зафиксировать соединительную клемму внизу, вдавив ее и сдвинув влево до фиксации.

### 13.4 Боковое электроподключение при открытом монтаже

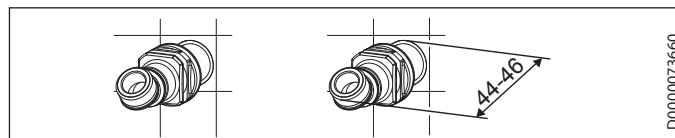
- ▶ Выпилить и выломать необходимое проходное отверстие для кабеля питания на задней стенке прибора и крышке прибора (расположение см. в главе «Технические характеристики / Размеры и соединения»). Острые кромки зачистить напильником.
- ▶ Смонтировать прибор и присоединить кабель питания к соединительной клемме, как описано в главе «Монтаж / Стандартный открытый монтаж».

### 13.5 Скрытый монтаж водопровода

Для монтажа требуются соответствующие принадлежности. Монтажный набор «Скрытый монтаж водопровода» содержит такие элементы:

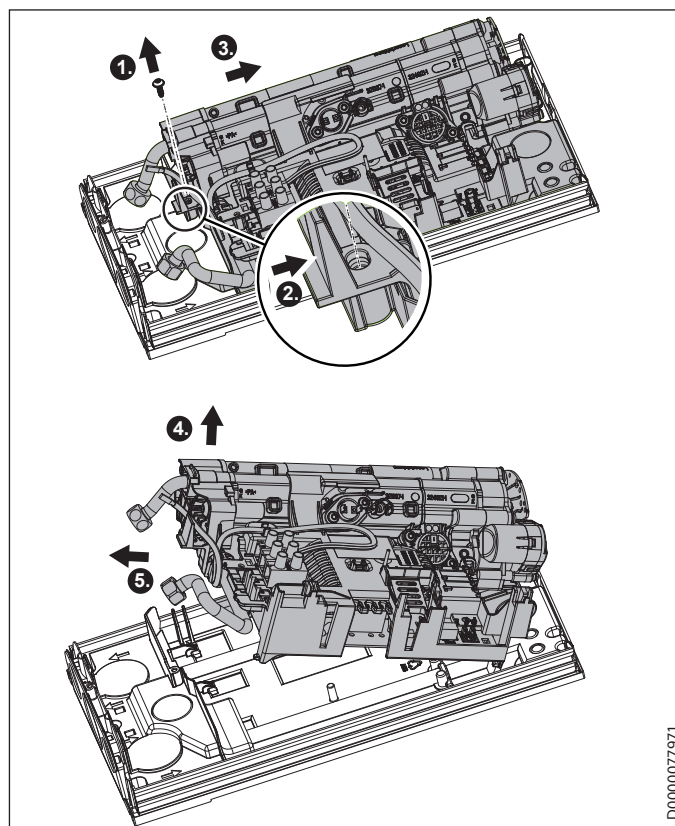
- 2 втулки для уплотнения отверстий в задней стенке прибора
- сетчатый фильтр для установки в 45-градусный двойной ниппель
- плоское уплотнение

### Подготовительные мероприятия



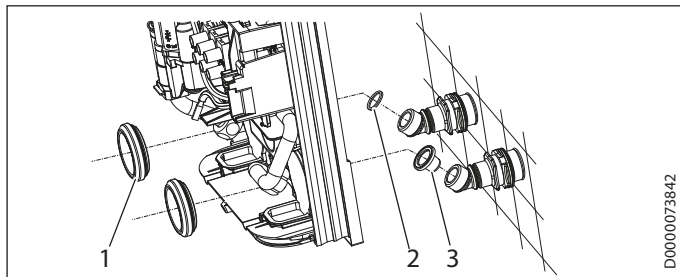
- ▶ Поставить прокладку и ввинтить двойной ниппель 45°.

Для пробивания проходов в задней стенке прибора необходимо демонтировать функциональный блок из задней стенки прибора.



- ▶ Выкрутить винт и разблокировать крючки-фиксаторы.
- ▶ Слегка отодвинуть функциональный блок в задней стенке прибора назад.
- ▶ Поднять функциональный блок из задней стенки прибора и слегка потянуть вперед, чтобы извлечь его.
- ▶ Выбить/выломать необходимые проходные отверстия для подвода воды на задней стенке прибора (расположение см. в главе «Технические характеристики / Размеры и соединения»). Острые кромки зачистить напильником.
- ▶ Установить функциональный блок в заднюю стенку прибора в обратной последовательности и защелкнуть в фиксаторах.
- ▶ Закрепить функциональный блок с помощью винта.

### Монтаж прибора



- 1 Втулки
  - 2 плоское уплотнение
  - 3 Сетчатый фильтр с уплотнительной кромкой
- ▶ Отметить 2 точки сверления в зоне верхней части задней стенки прибора, используя заднюю стенку прибора.
  - ▶ Смонтировать втулки с передней стороны в заднюю стенку прибора.
  - ▶ Просверлить отверстия и закрепить прибор подходящим крепежным материалом (винты и дюбели не входят в комплект поставки): винт с потайной головкой диаметром 4,5 мм, макс. диаметр головки – 9 мм.

#### Указание

▶ Монтировать прибор следует вровень со стеной. При необходимости дополнительно закрепить прибор в двух нижних точках крепления. Выбить/выдавить на задней стенке прибора нижние продольные отверстия (расстояние 175 мм) (позиции см. в главе «Технические характеристики / Размеры и соединения»).

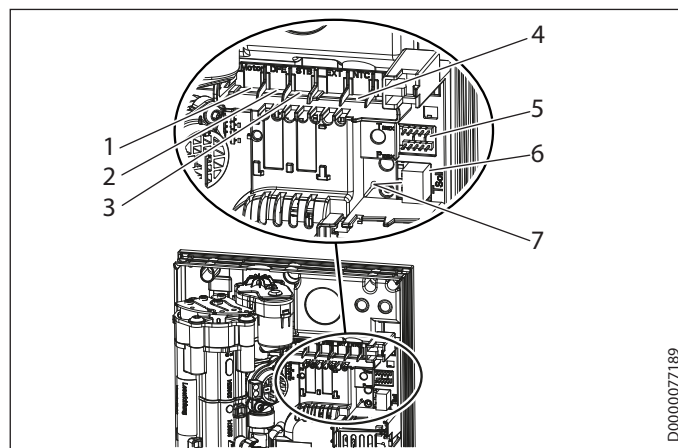
- ▶ Удалить транспортные заглушки из патрубков для подключения воды.
- ▶ Привинтить соединительный патрубок горячей воды с плоским уплотнением и подвод холодной воды, оснащенный сетчатым фильтром с уплотнительной кромкой (из комплекта принадлежностей) к двойным ниппелям.

### 13.6 Работа с предварительно подогретой водой

При установке центрального термостатического смесителя максимальная температура подаваемой воды ограничивается.

## 14. Сервисная информация

### Обзор соединений / обзор компонентов



- 1 Клапан с моторным приводом
- 2 Регистрация расхода
- 3 Предохранительный ограничитель температуры с автосбросом
- 4 Датчик NTC
- 5 Контактные панели для установки мощности и защиты от обваривания
- 6 Позиция подключения пульта управления
- 7 Диагностический светодиодный индикатор

## 15. Поиск и устранение неисправностей



**ПРЕДУПРЕЖДЕНИЕ** поражение электрическим током  
Для проверки прибора требуется включить электропитание.



**Указание**  
Проверять прибор с помощью диагностического индикатора следует при расходе воды.

### Индикация диагностического светодиодного индикатора (LED)

●○○○	красный	горит при неисправности
○○●○	желтый	горит при режиме нагрева / мигает при достижении предела мощности
○○○●	зеленый	мигает: прибор подключен к сети

Диагностический индикатор (режим отбора воды)	Неисправность	Причина	Способ устранения
Светодиоды не горят	Прибор не нагревается	Отсутствует одна или несколько фаз сетевого напряжения	Проверить главный предохранитель домашней электросети
		Неисправен электронный блок	Заменить функциональную группу
Зеленый мигает, желтый и красный выключены	Отсутствует горячая вода	Объем, необходимый для включения устройства, не достигнут; известковые отложения в душевой лейке или регуляторе струи	Заменить или очистить от известковых отложений душевую лейку / регулятор струи
		Объем, необходимый для включения устройства, не достигнут, загрязнен сетчатый фильтр на линии подвода холодной воды	Очистить сетчатый фильтр
		Не установлена система регистрации расхода	Проверить или отрегулировать штекерный разъем
		Загрязнена или неисправна система регистрации расхода	Заменить систему регистрации расхода
Зеленый мигает, желтый горит, красный выключен	Нет индикации на дисплее	Неисправен электронный блок	Заменить функциональную группу
		Отсоединился кабель, соединяющий электронный модуль и пульт управления	Проверить или отрегулировать штекерные разъемы
		Неисправность кабеля, соединяющего электронный модуль и пульт управления	Проверить и при необходимости заменить соединительный кабель
		Неисправность пульта управления	Заменить пульт управления
Зеленый мигает, желтый горит, красный выключен	Нет горячей воды, температура на выходе не соответствует заданной	Неисправен электронный блок	Заменить функциональную группу
		Неисправность смесителя	Заменить смеситель
		После включения сетевого напряжения пульт управления подключился к электронному модулю	Выключить и снова включить предохранители в домашней электросети
		Неисправность выходного датчика	Заменить выходной датчик
		Неисправность нагревательной системы	Заменить функциональную группу
Зеленый мигает, желтый мигает, красный выключен	Нет горячей воды, температура на выходе не соответствует заданной	Неисправен электронный блок	Заменить функциональную группу
		Достигнуто предельное регулируемое значение моторизованного клапана	Уменьшить заданное значение температуры
		Неисправность моторизованного клапана	Заменить моторизованный клапан
Зеленый мигает, желтый выключен, красный горит	Нет горячей воды, температура на выходе не соответствует заданной	Сработала система обнаружения воздуха	Продолжить отбор в течение >1 мин



### 15.1 Коды ошибок

При возникновении ошибки прибора на дисплее мигает символ гаечного ключа.

- Для вызова кода ошибки следует нажать и удерживать более 5 секунд кнопку «i».

Диагностический индикатор (режим отбора воды)	Индикация дисплея	Неисправность	Причина	Способ устранения
Зеленый мигает, желтый выключен, красный горит	Символ гаечного ключа мигает (выводится код ошибки E1 и символ гаечного ключа)	Нет горячей воды, температура на выходе не соответствует заданной	Предохранительный выключатель при первом вводе в эксплуатацию не активирован	Активировать предохранительный выключатель, нажав и удерживая клавишу сброса
			Предохранительный выключатель приведен в действие предохранительным ограничителем температуры	Проверить предохранительный ограничитель температуры (штекерное соединение, соединительный кабель), включить предохранительный выключатель
			Если предохранительный выключатель срабатывает снова, предохранительный выключатель неисправен	Заменить предохранительный ограничитель температуры, активировать предохранительный выключатель и установить максимальное заданное значение отбора >1 мин
Зеленый мигает, желтый выключен, красный горит	Символ гаечного ключа мигает (выводится код ошибки E2 и символ гаечного ключа)	Отсутствует горячая вода	Если предохранительный выключатель по-прежнему срабатывает, неисправен электронный модуль	Заменить функциональную группу
			Неисправность электронного модуля (поломка или короткое замыкание входного датчика)	Заменить функциональную группу
Зеленый мигает, желтый выключен, красный горит	Символ гаечного ключа мигает (выводится код ошибки E3 и символ гаечного ключа)	Отсутствует горячая вода	Короткое замыкание выходного датчика	Проверить, при необходимости заменить входной датчик

## 16. Техническое обслуживание



**ПРЕДУПРЕЖДЕНИЕ** поражение электрическим током

При любых работах необходимо полное отключение прибора от сети.

В этом приборе имеются конденсаторы, которые разряжаются после отключения от сети электропитания. Напряжение разряда конденсатора может в ряде случаев кратковременно превышать 60 В пост. тока.

### 16.1 Опорожнение прибора

Для проведения работ по техническому обслуживанию воду из прибора можно слить.



**ПРЕДУПРЕЖДЕНИЕ** ожог  
Из опорожняемого прибора может вытекать горячая вода.

- Закрывать запорный клапан в трубопроводе подачи холодной воды.
- Открыть все раздаточные краны.
- Отсоединить трубопроводы подачи воды от прибора.
- Хранить демонтированный прибор в отапливаемом помещении, поскольку в приборе всегда находятся остатки воды, которые могут замерзнуть и повредить его.

### 16.2 Очистить сетчатый фильтр



**ПРЕДУПРЕЖДЕНИЕ** ожог  
Из опорожняемого прибора может вытекать горячая вода.



**Материальный ущерб**

Чтобы избежать повреждения нагревательной системы с открытым нагревательным элементом, в случае нарушения водоснабжения следует выполнить описанную ниже процедуру повторного ввода прибора в эксплуатацию.

- Обесточить прибор, отключив предохранители.
- Открыть смеситель как минимум на одну минуту, чтобы из прибора и линии подачи холодной воды вышел весь воздух.
- Вновь включить электропитание.

Необходимо регулярно чистить сетчатый фильтр в штуцере холодной воды.



**16.2.1 Очистка сетчатого фильтра, стандартный открытый монтаж**

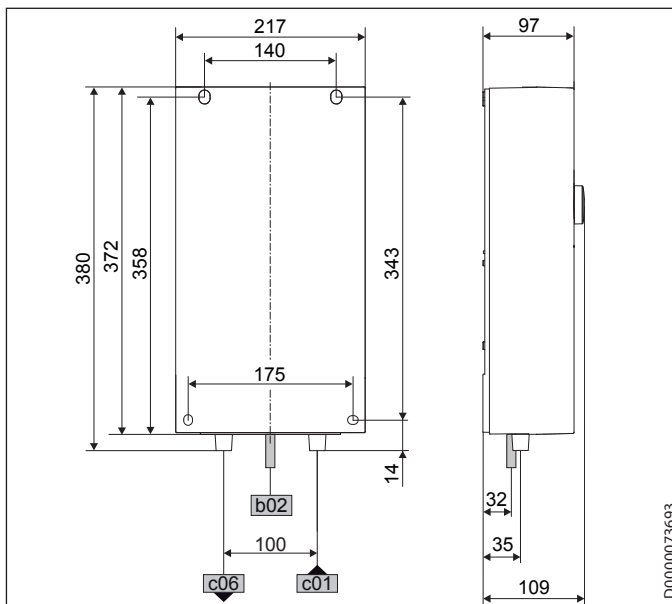
- ▶ Отключить прибор от сети.
- ▶ Закрыть запорный клапан в трубопроводе подачи холодной воды.
- ▶ Открыть все раздаточные краны.
- ▶ Снять резьбовой штуцер холодной воды.
- ▶ Извлечь сетчатый фильтр из двойного ниппеля, используя шлицевую отвертку. Очистить сетчатый фильтр.
- ▶ Снова вставить сетчатый фильтр. Прикрутить штуцер холодной воды к двойному ниппелю.
- ▶ Открыть запорный кран на линии подачи холодной воды.
- ▶ Многократно открывать и закрывать все подключенные раздаточные краны до тех пор, пока из водопроводной сети и прибора не выйдет весь воздух.
- ▶ Включить электропитание.

**16.2.2 Очистка сетчатого фильтра, скрытый монтаж водопровода**

- ▶ Отключить прибор от сети.
- ▶ Закрыть запорный клапан в трубопроводе подачи холодной воды.
- ▶ Открыть все раздаточные краны.
- ▶ Открыть прибор, отпустив винт и откинув крышку прибора.
- ▶ Открутить штуцер холодной воды от двойного ниппеля. Повернуть штуцер холодной воды вверх.
- ▶ Извлечь сетчатый фильтр из двойного ниппеля. Очистить сетчатый фильтр.
- ▶ Прикрутить штуцер холодной воды вместе с сетчатым фильтром и прокладочным кольцом к двойному ниппелю.
- ▶ Открыть запорный кран на линии подачи холодной воды.
- ▶ Многократно открывать и закрывать все подключенные раздаточные краны до тех пор, пока из водопроводной сети и прибора не выйдет весь воздух.
- ▶ Проверить герметичность штуцера холодной воды.
- ▶ Зацепить крышку прибора сверху сзади за заднюю стенку прибора. Опустить крышку прибора. Проверить плотность посадки крышки прибора вверх и вниз. Закрепить крышку прибора с помощью винта.
- ▶ Включить электропитание.

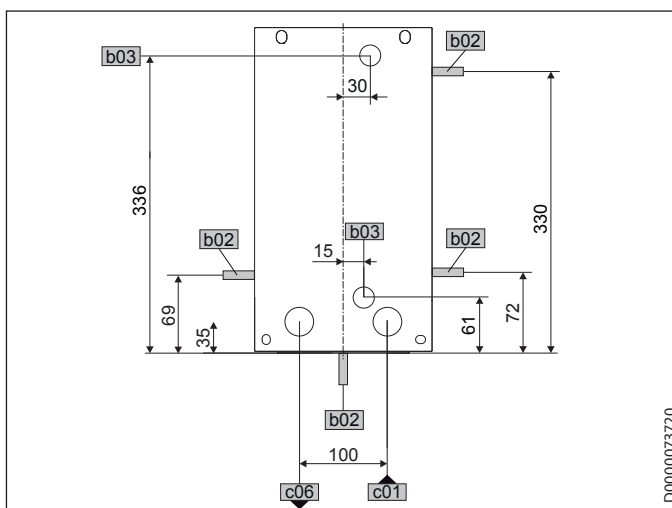
**17. Технические характеристики**

**17.1 Размеры и соединения**



		DCE-X Premium
b02	Кабельный ввод для электропроводки I	Открытый монтаж
c01	Подвод холодной воды	Наружная резьба G 1/2 A
c06	Выпуск горячей воды	Наружная резьба G 1/2 A

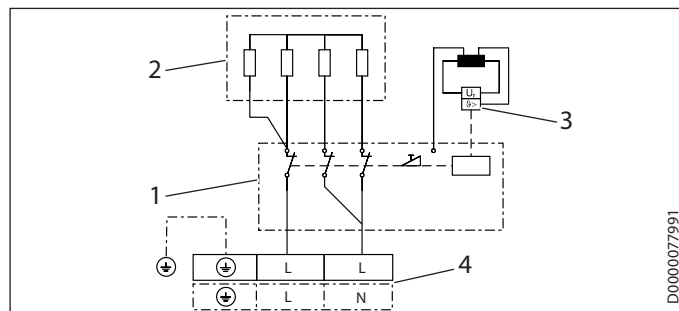
**Варианты подключения**



		DCE-X Premium
b02	Кабельный ввод для электропроводки I	Открытый монтаж
b03	Кабельный ввод для электропроводки II	Скрытый монтаж
c01	Подвод холодной воды	Наружная резьба G 1/2 A
c06	Выпуск горячей воды	Наружная резьба G 1/2 A

### 17.2 Электрическая схема

DCE-X Premium	
	2/GRD ~ 220-240 В
	1/N/PE ~ 220-240 В



- 1 Силовая электроника со встроенным предохранительным выключателем
- 2 Нагревательная система с открытым нагревательным элементом
- 3 Предохранительный ограничитель температуры
- 4 Клемма подключения к сети

### 17.3 Производительность по горячей воде

Производительность по горячей воде зависит от напряжения в сети, потребляемой мощности прибора и температуры холодной воды на входе. Номинальное напряжение и номинальная мощность указаны на заводской табличке.

Потребляемая мощность, кВт	Производительность по горячей воде (38 °C) л/мин					
Номинальное напряжение	Температура холодной воды на входе					
220 В	230 В	240 В	5 °C	10 °C	15 °C	20 °C

DCE-X 6/8 Premium						
6,0			2,6	3,1	3,7	4,8
8,0			3,5	4,1	5,0	6,3
	6,6		2,9	3,4	4,1	5,2
	8,7		3,8	4,4	5,4	6,9
		7,2	3,1	3,7	4,5	5,7
		9,6	4,2	4,9	6,0	7,6
DCE-X 10/12 Premium						
10,0			4,3	5,1	6,2	7,9
12,0			5,2	6,1	7,5	9,5
	11,0		4,8	5,6	6,8	8,7
	13,1		5,7	6,7	8,1	10,4
		12,0	5,2	6,1	7,5	9,5
		14,3	6,2	7,3	8,9	11,3

Потребляемая мощность, кВт	Производительность по горячей воде (50 °C) л/мин					
Номинальное напряжение	Температура холодной воды на входе					
220 В	230 В	240 В	5 °C	10 °C	15 °C	20 °C

DCE-X 6/8 Premium						
6,0			1,9	2,1	2,4	2,9
8,0			2,5	2,9	3,3	3,8
	6,6		2,1	2,4	2,7	3,1
	8,7		2,8	3,1	3,6	4,1
		7,2	2,3	2,6	2,9	3,4
		9,6	3,0	3,4	3,9	4,6
DCE-X 10/12 Premium						
10,0			3,2	3,6	4,1	4,8
12,0			3,8	4,3	4,9	5,7
	11,0		3,5	3,9	4,5	5,2
	13,1		4,2	4,7	5,3	6,2
		12,0	3,8	4,3	4,9	5,7
		14,3	4,5	5,1	5,8	6,8

### 17.4 Рабочие диапазоны / Таблица пересчета данных

Удельное электрическое сопротивление и удельная электропроводность.

Стандартные данные при 15 °C	20 °C			25 °C		
Сопротивление $\rho \geq$	Электропроводность $\sigma \leq$	Сопротивление $\rho \geq$	Электропроводность $\sigma \leq$	Сопротивление $\rho \geq$	Электропроводность $\sigma \leq$	Сопротивление $\rho \geq$
Ом·см	мСм/м	мкСм/см	Ом·см	мСм/м	мкСм/см	Ом·см
1100	91	910	970	103	1031	895
						112
						1117

### 17.5 Потери давления

#### Смесители

Потеря давления на смесителях при объемном расходе 10 л/мин		
Однорычажный смеситель, прикл.	МПа	0,04 - 0,08
Термостатический смеситель, прикл.	МПа	0,03 - 0,05
Душевая лейка, прикл.	МПа	0,03 - 0,15

#### Расчет параметров трубопроводной сети

При расчете параметров трубопроводной сети для прибора рекомендуется задать потерю давления 0,1 МПа.

### 17.6 Возможные неисправности

При неисправности в водопроводной системе могут возникать кратковременные нагрузки, сопровождаемые повышением температуры до 80 °C и давления до 1,0 МПа.

### 17.7 Характеристики энергопотребления

Технические характеристики изделия: Бытовой водонагреватель (в соответствии с регламентом EC № 812/2013 | 814/2013)

		DCE-X 6/8 Premium 238158	DCE-X 10/12 Premium 238159
Производитель		STIEBEL ELTRON	STIEBEL ELTRON
Профиль нагрузки		XS	XS
Класс энергоэффективности		A	A
Энергетический КПД	%	39	39
Годовое потребление электроэнергии	кВт*ч	472	473
Заводская настройка температуры	°C	60	60
Уровень звуковой мощности	дБ(А)	15	15
Особые указания по измерению эффективности		Измерено на ступени ECO с максимальным расходом, максимальной мощностью и максимальным заданным значением.	Измерено на ступени ECO с максимальным расходом, максимальной мощностью и максимальным заданным значением.
Суточное потребление электроэнергии	кВт*ч	2,161	2,167

### 17.8 Таблица параметров

		DCE-X 6/8 Premium 238158			DCE-X 10/12 Premium 238159		
<b>Электрические характеристики</b>							
Номинальное напряжение	В	220	230	240	220	230	240
Номинальная мощность	кВт	6,0/8,0	6,6/8,7	7,2/9,6	10,0/12,0	11,0/13,1	12,0/14,3
Номинальный ток	А	27,3/36,4	28,5/38,0	30,0/40,0	45,5/54,5	47,8/57,0	50,0/59,5
Предохранитель	А			30/40			50/60
Частота	Гц			50/60			50/60
Фазы				1/N/PE			1/N/PE
Удельное сопротивление $\rho_{15} \geq$	Ом·см			1100			1100
Удельная электропроводность $\sigma_{15} \leq$	мкСм/см			910			910
Макс. полное сопротивление сети при 50 Гц	Ом	0,0385	0,0368	0,0353	0,0257	0,0245	0,0235
<b>Соединения</b>							
Подключение к водопроводу				G 1/2 A			G 1/2 A
<b>Пределы рабочего диапазона</b>							
Макс. допустимое давление	МПа			1			1
Макс. значение температуры подачи для догрева	°C			55			55
Диапазон регулировки температуры	°C			Off, 20–60			Off, 20–60
<b>Параметры</b>							
Макс. температура на входе (например, термическая дезинфекция)	°C			70			70
Вкл	л/мин			1,3			1,3
Объемный расход при 28 К	л/мин			3,1/4,1 при 220 В			5,1/6,2 при 220 В
Объемный расход при 50 К	л/мин			1,7/2,3 при 220 В			2,9/3,5 при 220 В
Потеря давления для объемного расхода при 50 К (без ограничителя объемного расхода)	МПа			0,01/0,01			0,02/0,03
<b>Гидравлические характеристики</b>							
Номинальная емкость	л			0,277			0,277
<b>Модификации</b>							
Способ монтажа		Установка над/под раковиной, точкой разбора			Установка над/под раковиной, точкой разбора		
Выбор мощности подключения				X			X
Класс защиты				1			1
Изолирующий блок				Пластмасса			Пластмасса
Генератор тепла системы отопления				Открытый нагревательный элемент			Открытый нагревательный элемент
Крышка и задняя панель				Пластмасса			Пластмасса
Цвет				белый			белый
Степень защиты (IP)				IP 25			IP 25
<b>Размеры</b>							
Высота	мм			372			372
Ширина	мм			217			217
Глубина	мм			109			109
<b>Вес</b>							
Вес	кг			2,5			2,5



#### Указание

Прибор соответствует требованиям стандарта IEC 61000-3-12.

### **Гарантия**

Приборы, приобретенные за пределами Германии, не подпадают под условия гарантии немецких компаний. К тому же в странах, где продажу нашей продукции осуществляет одна из наших дочерних компаний, гарантия предоставляется исключительно этой дочерней компанией. Такая гарантия предоставляется только в случае, если дочерней компанией изданы собственные условия гарантии. За пределами этих условий никакая гарантия не предоставляется.

На приборы, приобретенные в странах, где ни одна из наших дочерних компаний не осуществляет продажу нашей продукции, никакие гарантии не распространяются. Это не затрагивает гарантий, которые могут предоставляться импортером.

### **Защита окружающей среды и утилизация**

Внесите свой вклад в охрану окружающей среды. Утилизацию использованных материалов следует производить в соответствии с национальными нормами.

## 17.8 جدول البيانات

DCE-X 10/12 Premium 238159			DCE-X 6/8 Premium 238158			
						البيانات الكهربائية
240	230	220	240	230	220	فولت
14.3 / 12.0	13.1 / 11.0	12.0/10.0	9.6/7.2	8.7/6.6	8.0/6.0	الجهد الاسمي
59.5 / 50.0	57.0 / 47.8	54.5 / 45.5	40.0 / 30.0	38.0 / 28.5	36.4 / 27.3	القدرة الاسمية
						التيار الاسمي
	60 / 50				40 / 30	المصادر
	60 / 50				60 / 50	التردد
	1/N/PE				1/N/PE	الأطوار
	1100				1100	المقاومة النوعية $\leq p15$
	910				910	الموصلية النوعية $\geq \sigma 15$
						المعاوقة الفصوى للشبكة عند 50 هرتز
0.0235	0.0245	0.0257	0.0353	0.0368	0.0385	الوصلات
	G 1/2 A				G 1/2 A	وصلة الماء
						حدود الاستخدام
1					1	أقصى ضغط مسموح به
55					55	الحد الأقصى لدرجة حرارة الإمداد لإعادة التسخين
	إيقاف، 60-20				إيقاف، 60-20	نطاق ضبط درجة الحرارة
						القيم
70					70	الحد الأقصى لدرجة حرارة الإمداد (على سبيل المثال، التطهير الحراري)
1.3					1.3	تشغيل
	6.2/5.1 عند 220 فولت				4.1/3.1 عند 220 فولت	التدفق الحجمي عند 28 ك
	3.5/2.9 عند 220 فولت				2.3/1.7 عند 220 فولت	التدفق الحجمي عند 50 ك
	0.03 / 0.02				0.01 / 0.01	فقدان الضغط للتدفق الحجمي عند 50 ك (دون محدد كمية التدفق)
						البيانات الهيدروليكية
0.277					0.277	المحتوى الاسمي
						الموديلات
	المعلق/على الأرضية				المعلق/على الأرضية	نوع التركيب
	X				X	قدرة التوصيل قابلة للاختيار
	1				1	فئة الحماية
	بلاستيك				بلاستيك	كتلة عازلة
	سلك عار				سلك عار	نظام تسخين مولد الحرارة
	بلاستيك				بلاستيك	الغطاء والجدار الخلفي
	أبيض				أبيض	اللون
	IP 25				IP 25	نوع الحماية (IP)
						الأبعاد
	372				372	الارتفاع
	217				217	العرض
	109				109	العمق
						الأوزان
	2.50				2.50	الوزن

ملحوظة  الجهاز يتوافق مع المعيار IEC 61000-3-12.

## الضمان

لا تسري شروط الضمان الخاصة بشركائنا داخل ألمانيا على الأجهزة المصدرة إلى خارج ألمانيا. في الدول التي تباع فيها منتجاتنا من قبل فروعنا، يكون الضمان الساري على الأجهزة هو الضمان الذي توفره هذه الفروع. وهذا الضمان لا يعتد به إلا إذا وضع فرع الشركة شروط الضمان الخاصة به. لا يتم الحصول على أية ضمانات أخرى.

نحن لا نوفر أية ضمانات على الأجهزة المصدرة إلى دول لا نمتلك بها فروعًا للشركة. هذا الأمر لا يمس الضمان الذي يوفره المستورد على الإطلاق.

## البيئة وإعادة التدوير

نرجو منك المساعدة في الحفاظ على البيئة. بعد الاستخدام، يرجى التخلص من المواد المختلفة وفقًا للوائح المحلية المتبعة.

## 17.5 فقدان الضغط

## الصنابير

فقدان الضغط للصنابير في حالة التدفق الحجمي 10 لتر/دقيقة	
0.08 - 0.04	ميجاباسكال
0.05 - 0.03	ميجاباسكال
0.15 - 0.03	ميجاباسكال

## أبعاد شبكة الأنابيب

لحساب أبعاد شبكة الأنابيب يُنصح بفاقد ضغط يبلغ 0.1 ميجاباسكال للجهاز.

## 17.6 حالات الأعطال

في التركيب يمكن في حالة الخلل أن تطرأ أحمال تبلغ بحد أقصى 80 م° مع ضغط يبلغ 1.0 ميجاباسكال.

## 17.7 بيانات استهلاك الطاقة

صحيفة بيانات المنتج: سخانات مياه تقليدية وفقاً للائحة (الاتحاد الأوروبي) رقم 2013/812 | 2013/814

DCE-X 10/12 Premium	DCE-X 6/8 Premium		
238159	238158		
STIEBEL ELTRON	STIEBEL ELTRON		المصنع
XS	XS		منحنى تغير الحمل
أمبير	أمبير		فئة كفاءة الطاقة
39	39	%	كفاءة الطاقة
473	472	كيلوواط/ساعة	الاستهلاك السنوي للطاقة
60	60	م°	ضبط درجة الحرارة من المصنع
15	15	ديسبيل (أمبير)	مستوى شدة الصوت
مقاسة عند وضع ECO بأقصى تدفق، وأقصى قدرة، وأقصى قيمة مستهدفة.	مقاسة عند وضع ECO بأقصى تدفق، وأقصى قدرة، وأقصى قيمة مستهدفة.		إرشادات خاصة لقياس الكفاءة
2.167	2.161	كيلوواط/ساعة	الاستهلاك اليومي للتيار الكهربائي



## 17.3 قدرة الماء الساخن

قدرة الماء الساخن مرتبطة بالإمداد المتوفر بالجهد، وقدرة التوصيل للجهاز، ودرجة حرارة الماء البارد الداخل. يمكنك معرفة الجهد الاسمي والقدرة الاسمية من لوحة البيانات.

قدرة ماء ساخن بدرجة 38 °م باللتر/دقيقة.				قدرة التوصيل بالكيلوواط	
درجة حرارة الماء البارد الداخل				الجهد الاسمي	
20 °م	15 °م	10 °م	5 °م	240 فولت	220 فولت
4.8	3.7	3.1	2.6		6.0
6.3	5.0	4.1	3.5		8.0
5.2	4.1	3.4	2.9		6.6
6.9	5.4	4.4	3.8		8.7
5.7	4.5	3.7	3.1	7.2	
7.6	6.0	4.9	4.2	9.6	
7.9	6.2	5.1	4.3		10.0
9.5	7.5	6.1	5.2		12.0
8.7	6.8	5.6	4.8		11.0
10.4	8.1	6.7	5.7		13.1
9.5	7.5	6.1	5.2	12.0	
11.3	8.9	7.3	6.2	14.3	

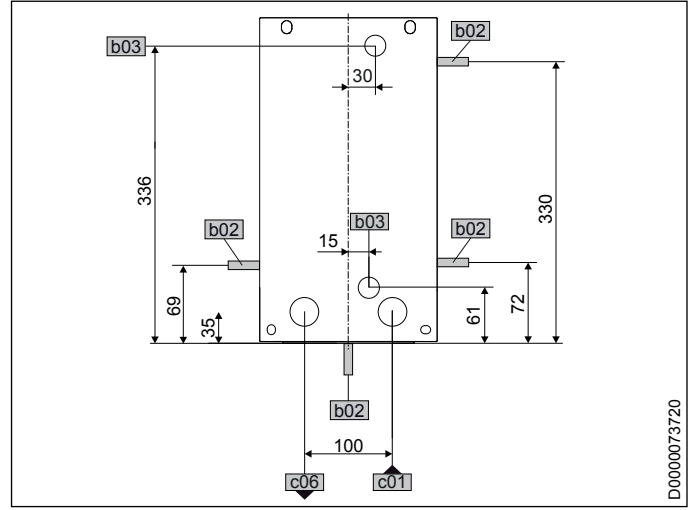
قدرة ماء ساخن بدرجة 50 °م باللتر/دقيقة.				قدرة التوصيل بالكيلوواط	
درجة حرارة الماء البارد الداخل				الجهد الاسمي	
20 °م	15 °م	10 °م	5 °م	240 فولت	220 فولت
2.9	2.4	2.1	1.9		6.0
3.8	3.3	2.9	2.5		8.0
3.1	2.7	2.4	2.1		6.6
4.1	3.6	3.1	2.8		8.7
3.4	2.9	2.6	2.3	7.2	
4.6	3.9	3.4	3.0	9.6	
4.8	4.1	3.6	3.2		10.0
5.7	4.9	4.3	3.8		12.0
5.2	4.5	3.9	3.5		11.0
6.2	5.3	4.7	4.2		13.1
5.7	4.9	4.3	3.8	12.0	
6.8	5.8	5.1	4.5	14.3	

## 17.4 مجالات الاستخدام / جدول التحويل

المقاومة الكهربائية المحددة وقابلية التوصيل الكهربائية المحددة.

القيمة المعيارية عند 15 °م		20 °م		25 °م	
المقاومة النوعية $\geq \sigma$	الموصلية النوعية $\leq \rho$	المقاومة النوعية $\geq \sigma$	الموصلية النوعية $\leq \rho$	المقاومة النوعية $\geq \sigma$	الموصلية النوعية $\leq \rho$
أوم سم	ملي سيمنز / ميكرو سيمنز/سم	أوم سم	ملي سيمنز / ميكرو سيمنز/سم	أوم سم	ملي سيمنز / ميكرو سيمنز/سم
91	910	103	1031	112	1117

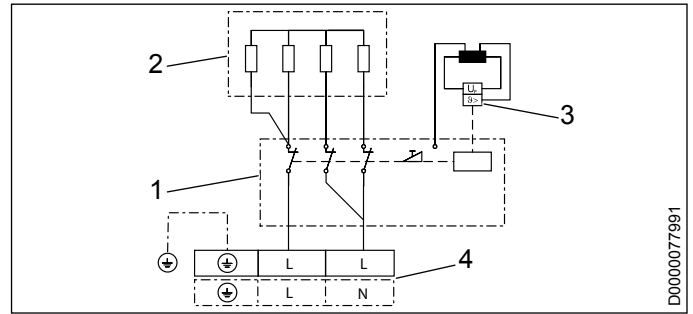
## إمكانات التوصيل البديلة



DCE-X Premium	مكتوف	b02
	مخف	b03
G 1/2 A	القلاووظ الخارجي	c01
G 1/2 A	القلاووظ الخارجي	c06

## 17.2 مخطط التوصيل الكهربائي

DCE-X Premium	
240 - 220 ~ 2/GRD فولت	Ⓛ Ⓛ Ⓛ
240 - 220 ~ 1/N/PE فولت	Ⓛ Ⓛ Ⓛ Ⓝ



- 1 إلكترونيات قدرة مع مفتاح أمان مدمج
- 2 نظام التسخين بالسلك العاري
- 3 محدد درجة حرارة الأمان
- 4 طرف التوصيل بالشبكة الكهربائية

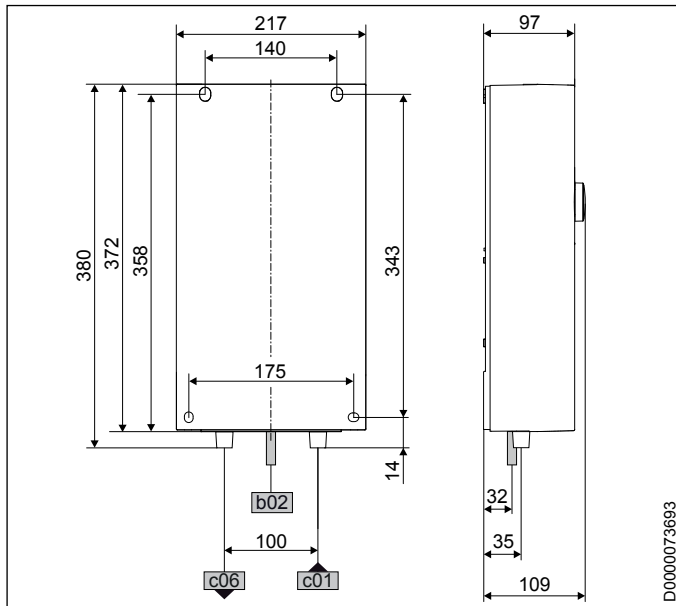
## 16. الصيانة

### 16.2.2 تنظيف المصفاة، تركيبات الماء المخفية

- ◀ شغل الجهاز دون أي فولتية كهربائية.
- ◀ أغلق صمام الإيقاف في وصلة الماء البارد.
- ◀ افتح جميع صمامات المأخذ.
- ◀ افتح الجهاز عن طريق فك البراغي وفتح غطاء الجهاز.
- ◀ قم بفك أنبوب توصيل الماء البارد من وصلة المواسير المزدوجة. قم بتحريك أنبوب توصيل الماء البارد نحو الأعلى.
- ◀ أزل المصفاة من وصلة المواسير المزدوجة. نظف المصفاة.
- ◀ قم بربط أنبوب توصيل الماء البارد بالمصفاة المزودة بحافة مانعة للتسرب في وصلة المواسير المزدوجة.
- ◀ افتح صمام الإيقاف في وصلة الإمداد بالماء البارد.
- ◀ افتح جميع صمامات السحب الموصلة وأغلقها عدة مرات إلى أن تخلو شبكة الأنابيب والجهاز من الهواء.
- ◀ افحص وصلة الماء البارد من حيث عدم وجود تسريب بها.
- ◀ قم بتعليق غطاء الجهاز على الجهة العلوية بالخلف في الجدار الخلفي للجهاز.
- ◀ قم بتحريك غطاء الجهاز نحو الأسفل. افحص التثبيت المحكم لغطاء الجهاز من أعلى وأسفل. ثبت غطاء الجهاز بواسطة البرغي.
- ◀ قم بتشغيل الإمداد بالجهد الكهربائي.

## 17. المواصفات الفنية

### 17.1 المقاييس والتوصيلات



DCE-X Premium	مكشوف	تمديد الكابلات الكهربائية
G 1/2 A	القلاووظ الخارجي	c01 منخل الماء البارد
G 1/2 A	القلاووظ الخارجي	c06 مخرج الماء الساخن

**تحذير الصعق بالكهرباء**  
عند إجراء أي أعمال، أفضل جميع أقطاب الجهاز من الشبكة الكهربائية.  
يحتوي هذا الجهاز على مكثفات كهربائية تقوم بالتفريغ تلقائيًا بعد الفصل عن الشبكة الكهربائية. قد يصل جهد تفريغ المكثف الكهربائي في بعض الحالات إلى < 60 فولت تيار مستمر.

### 16.1 تفريغ الجهاز

يمكن تفريغ الجهاز لإجراء أعمال الصيانة.

**تحذير الحروق**  
عندما تقوم بتفريغ الجهاز، قد يخرج ماء ساخن.

- ◀ أغلق صمام الإيقاف في وصلة الماء البارد.
- ◀ افتح جميع صمامات المأخذ.
- ◀ قم بحل وصلات الماء من الجهاز.
- ◀ احرص على تخزين الجهاز المخلوع بدون صعق نظرًا لتبقي بعض الماء في الجهاز والذي يمكن أن يتجمد ويتسبب في حدوث أضرار.

### 16.2 تنظيف المصفاة

**تحذير الحروق**  
عندما تقوم بتفريغ الجهاز، قد يخرج ماء ساخن.

- الأضرار المادية**
- ◀ حتى لا يتلف نظام التسخين بالسلك العاري بعد انقطاع التغذية بالماء، يجب إعادة تشغيل الجهاز باتباع الخطوات التالية.
  - ◀ افصل الجهاز عن التيار، من خلال إيقاف المصاهر.
  - ◀ افتح الصنوبر لمدة دقيقة واحدة على الأقل، إلى أن يتم تنفيس الهواء من الجهاز ووصلة الماء البارد الموصلة مسبقًا.
  - ◀ قم بتشغيل الإمداد بالجهد الكهربائي مرة أخرى.

يجب تنظيف المصفاة الموجودة في وصلة الماء البارد المزودة ببرغي بانتظام.

### 16.2.1 تنظيف المصفاة، التركيب القياسي المكشوف

- ◀ شغل الجهاز دون أي فولتية كهربائية.
- ◀ أغلق صمام الإيقاف في وصلة الماء البارد.
- ◀ افتح جميع صمامات المأخذ.
- ◀ قم بفك وصلة الماء البارد المزودة ببرغي.
- ◀ قم بإزالة المصفاة من وصلة المواسير المزدوجة باستخدام مفك براغي ذي شفرة مسطحة. نظف المصفاة.
- ◀ أعد تركيب المصفاة. اربط أنبوب توصيل الماء البارد بوصلة المواسير المزدوجة.
- ◀ افتح صمام الإيقاف في وصلة الإمداد بالماء البارد.
- ◀ افتح جميع صمامات السحب الموصلة وأغلقها عدة مرات إلى أن تخلو شبكة الأنابيب والجهاز من الهواء.
- ◀ قم بتشغيل الإمداد بالجهد الكهربائي.

كيفية التغلب عليه	السبب	العلل	ضوء التشخيص (تشغيل السحب)
قم بتبديل المحبس	المحبس معيب	لا يوجد ماء ساخن، درجة حرارة الماء الخارج لا تتوافق مع القيمة المستهدفة	وميض الضوء الأخضر، الضوء الأصفر مُضيء، انطفاء الضوء الأحمر
قم بإيقاف تشغيل المصاهر في الوصلات المنزلية ثم قم بتشغيلها مرة أخرى	تم توصيل وحدة التشغيل بالمجموعة الإلكترونية بعد تشغيل جهد الشبكة الكهربائية		
قم بتبديل مستشعر مخرج الماء	مستشعر مخرج الماء به عطل		
قم بتبديل الوحدة الوظيفية	نظام التسخين به عطل		
قم بتبديل الوحدة الوظيفية	المجموعة الإلكترونية بها عطل		
تقليل درجة الحرارة المحددة	تم الوصول إلى حد التحكم في صمام المحرك	لا يوجد ماء ساخن، درجة حرارة الماء الخارج لا تتوافق مع القيمة المستهدفة	وميض الضوء الأخضر، وميض الضوء الأصفر، انطفاء الضوء الأحمر
تبديل صمام المحرك	صمام المحرك معيب		
استمر في السحب لمدة < دقيقة واحدة	رد فعل من تجهيزة الكشف عن الهواء	لا يوجد ماء ساخن، درجة حرارة الماء الخارج لا تتوافق مع القيمة المستهدفة	وميض الضوء الأخضر، وميض الضوء الأصفر، الضوء الأحمر مُضيء

## 15.1 بيان رمز الخطأ

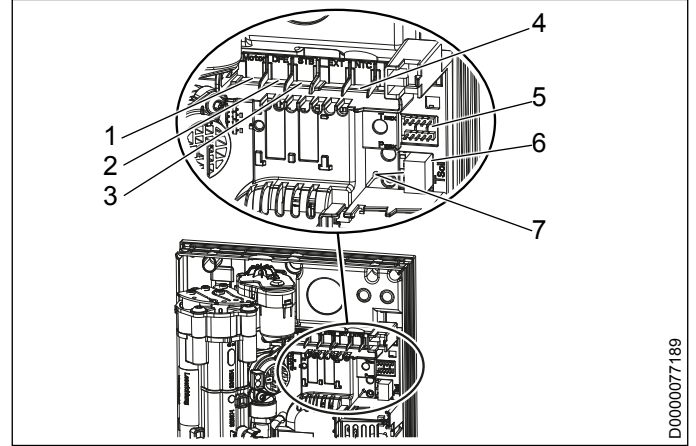
في حالة حدوث خطأ في الجهاز، يومض رمز مفتاح انجليزي في شاشة العرض.

◀ لاستدعاء بيان رمز الخطأ، اضغط على المفتاح "i" لأكثر من 5 ثوان.

كيفية التغلب عليه	السبب	العلل	البيان في شاشة العرض	ضوء التشخيص (تشغيل السحب)
قم بتفعيل مفتاح الأمان، للقيام بذلك اضغط على زر إعادة الضبط بإحكام	مفتاح الأمان غير مُفعل عند "التشغيل الأولي"	لا يوجد ماء ساخن، درجة حرارة الماء الخارج لا تتوافق مع القيمة المستهدفة	مفتاح انجليزي يومض (بيان رمز E1 ومفتاح انجليزي)	وميض الضوء الأخضر، انطفاء الضوء الأصفر، الضوء الأحمر مُضيء
افحص محدد درجة حرارة الأمان (وصلة القابس، وكابل التوصيل)، وقم بتفعيل مفتاح الأمان	تم إعتاق مفتاح الأمان من قبل محدد درجة حرارة الأمان			
قم بتبديل محدد درجة حرارة الأمان، قم بتفعيل مفتاح الأمان، واسحب بأقصى قيمة مستهدفة لمدة < دقيقة واحدة	يتم إعتاق مفتاح الأمان مرة أخرى بعد إتمام فحص محدد درجة حرارة الأمان، محدد درجة حرارة الأمان به عطل			
قم بتبديل الوحدة الوظيفية	إعتاق مفتاح الأمان مجدداً، الوحدة الإلكترونية بها عطل			
قم بتبديل الوحدة الوظيفية	المجموعة الإلكترونية بها عطل (كسر أو دائرة قصر في مستشعر مدخل الماء)	لا يوجد ماء ساخن	مفتاح انجليزي يومض (بيان رمز الخطأ E2 ومفتاح انجليزي)	وميض الضوء الأخضر، انطفاء الضوء الأصفر، الضوء الأحمر مُضيء
افحص مستشعر مخرج الماء، واستبدله عند اللزوم	دائرة قصر في مستشعر مخرج الماء	لا يوجد ماء ساخن	مفتاح انجليزي يومض (بيان رمز الخطأ E3 ومفتاح انجليزي)	وميض الضوء الأخضر، انطفاء الضوء الأصفر، الضوء الأحمر مُضيء

## 14. معلومات-الخدمة

نظرة عامة على التوصيل/نظرة عامة على المكونات



- 1 صمام ذو محرك
- 2 راصد التدفق
- 3 محدد درجة الحرارة الأمان، يمكن إعادة ضبطه تلقائيًا
- 4 حساس الترمستور سلبي المعامل الحراري NTC
- 5 وصلات رأس مسنن لقدرة التوصيل والحماية من الاكتواء
- 6 موضع توصيل وحدة التشغيل
- 7 ضوء التشخيص

## 15. إصلاح الأعطال

تحذير الصعق بالكهرباء  
للتمكن من فحص الجهاز، يجب توافر الإمداد بالجهد في الجهاز.



ملحوظة



يجب إجراء اختبار الجهاز باستخدام ضوء التشخيص عند سريان الماء.

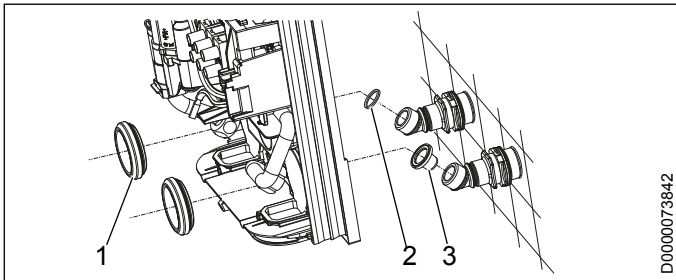
إمكانيات العرض لضوء التشخيص (LED)

●○○○	أحمر	تضيء في حالة وجود عطل
○○●○	أصفر	تضيء مع تشغيل التسخين/تومض مع بلوغ الحد الأقصى للقوة
○○○●	أخضر	تومض: الجهاز موصل بالشبكة

كيفية التغلب عليه	السبب	العطل	ضوء التشخيص (تشغيل السحب)
افحص المصاهر في الوصلات المنزلية قم بتبديل الوحدة الوظيفية أزل التكدسات / جدد رأس الدش / المهوية	طور واحد أو أكثر من أطوار الإمداد بالفلطية الكهربائية ناقص المجموعة الإلكترونية بها عطل	الجهاز لا يقوم بالتسخين	لا توجد لمبة LED مضيئة
تنظيف المصفاة	لم يتم الوصول لكمية تشغيل الجهاز، المصفاة المتواجدة في مدخل الماء البارد متسخة	لا يوجد ماء ساخن	وميض الضوء الأخضر، انطفاء الضوء الأصفر، انطفاء الضوء الأحمر
افحص وصلة القابس، وصح وضعها عند اللزوم تبدل جهاز رصد معدل التدفق قم بتبديل الوحدة الوظيفية	جهاز رصد معدل التدفق غير موصل جهاز رصد معدل التدفق به عطل أو متسخ المجموعة الإلكترونية بها عطل		
افحص وصلات القابس، وصح وضعها عند اللزوم	يوجد كابل توصيل سائب بين المجموعة الإلكترونية ووحدة التشغيل	لا يوجد بيان على الشاشة	وميض الضوء الأخضر، الضوء الأصفر مضيء، انطفاء الضوء الأحمر
افحص كابل التوصيل، واستبدله عند اللزوم قم بتبديل وحدة التشغيل قم بتبديل الوحدة الوظيفية	كابل توصيل معيب بين المجموعة الإلكترونية وبين وحدة التشغيل وحدة التشغيل بها عطل المجموعة الإلكترونية بها عطل		

- ◀ قم بإزالة مجموعة الوحدات الوظيفية في الجدار الخلفي للجهاز ببساطة إلى الخلف.
- ◀ ارفع مجموعة الوحدات الوظيفية من الجدار الخلفي للجهاز، بحيث يُمكنك سحبها بسهولة إلى الأمام وإخراجها.
- ◀ ادفع/اقطع من خلف المجاري اللازمة الخاصة بتوصيلات الماء من الجدار الخلفي للجهاز (لمعرفة المواضع انظر فصل "المواصفات الفنية / المقاييس والتوصيلات"). أزل الحواف الحادة باستخدام مُبرّد.
- ◀ قم بتركيب مجموعة الوحدات الوظيفية بترتيب عكسي في الجدار الخلفي للجهاز حتى يتم تعشيقها.
- ◀ ثبت الوحدة الوظيفية بواسطة البرغي.

## تركيب الجهاز



D0000073842

- 1 جلبات
  - 2 عنصر إحكام مفلطح
  - 3 مصفاة بحافة مانعة للتسرب
- ◀ حدد موضعي الثقوب في المنطقة العليا من الجدار الخلفي بالاستعانة بالجدار الخلفي من الجهاز.
  - ◀ ركب الجلبات من الجهة الأمامية في الجزء الخلفي للجهاز.
  - ◀ اثقب الثقوب وثبت الجهاز باستخدام وسائل التثبيت المناسبة (البراغي والخوابير ليست ضمن التجهيزات الموردة): برغي برأس غاطس بقطر 4.5 مم مع قطر الرأس بحد أقصى 9 ملم.

## ملحوظة

- ◀ ركب الجهاز معلقًا بالجدار. إذا لزم الأمر، ثبت الجهاز بنقطة تثبيت آخرتين بأسفل. وفي ذلك الصدد ادفع/اقطع الثقوب العميقة السفلية (المسافة 175 مم) من الجدار الخلفي للجهاز (لمعرفة المواضع انظر فصل "المواصفات الفنية / المقاييس والتوصيلات").

- ◀ أزل سدادات الحماية عند النقل من أنابيب توصيل الماء.
- ◀ أربط أنبوب توصيل الماء الساخن باستخدام عنصر إحكام مسطح ووصلة إمداد الماء البارد بمصفاة ذات حافة مانعة للتسرب (من الملحقات) على وصلة المواسير المزدوجة.

## 13.6 التشغيل مع الماء مسبق التسخين

- ◀ خلال تركيب المحبس المركزي المزود بثرموسنات يتم تحديد درجة الحرارة القصوى للماء الداخل.

## 13.4 الوصلة الكهربائية الجانبية المكشوفة

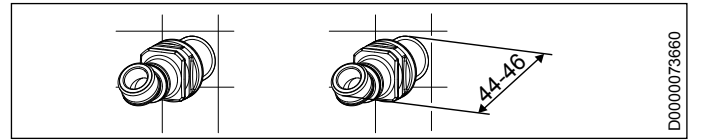
- ◀ قم بنشر وقطع المجاري اللازمة لكابل توصيل الشبكة من الجدار الخلفي وغطاء الجهاز (لمعرفة المواضع انظر فصل "المواصفات الفنية / المقاييس والتوصيلات"). أزل الحواف الحادة باستخدام مُبرّد.
- ◀ ركب الجهاز ووصل كابل توصيل الشبكة بطرف توصيل الشبكة كما هو موضح في فصل "التركيب/التركيب القياسي المكشوف".

## 13.5 تركيبات الماء المخفية

- ◀ تحتاج إلى الملحقات المناسبة من أجل التثبيت. تتضمن مجموعة التركيب "تركيبات الماء المخفية".

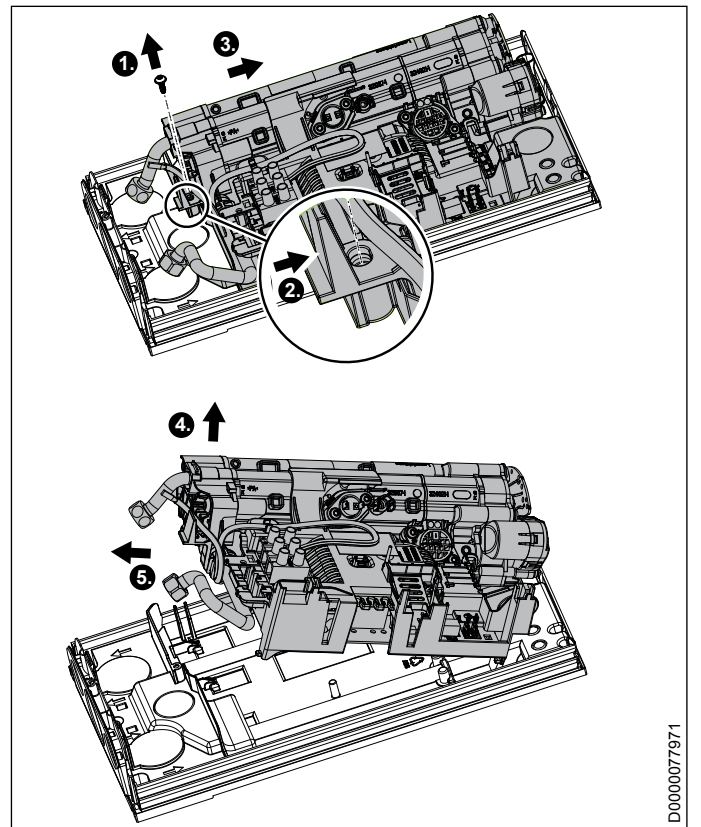
- 2 جلبة لسد الفتحات في الجزء الخلفي من الجهاز.
- المصفاة بحافة مانعة للتسرب للتركيب في وصلة المواسير المزدوجة 45°.
- عنصر إحكام مفلطح

## التحضيرات



D0000073660

- ◀ أحكم وصلات المواسير المزدوجة 45° وقم بربطها جيدًا.
- ◀ اثنقب المجاري في الجزء الخلفي للجهاز، يجب عليك إزالة مجموعة الوحدات الوظيفية من الجزء الخلفي للجهاز.



D0000077971

- ◀ قم بفك البرغي وتحرير قفل خطافات التثبيت.

## 11.4 إعادة التشغيل

### الأضرار المادية

- حتى لا يتلف نظام التسخين بالسلك العاري بعد انقطاع التغذية بالماء، يجب إعادة تشغيل الجهاز باتباع الخطوات التالية.
- افصل الجهاز عن التيار، من خلال إيقاف المصاهر.
- افتح الصنبور لمدة دقيقة واحدة على الأقل، إلى أن يتم تنفيس الهواء من الجهاز ووصلة الماء البارد الموصلة مسبقاً.
- قم بتشغيل الإمداد بالجهد الكهربائي مرة أخرى.

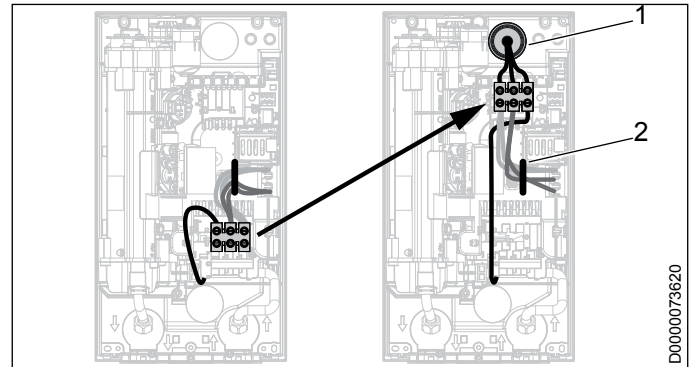
## 12. إيقاف التشغيل

- افصل الجهاز بجميع الأقطاب من وصلة الشبكة.
- فرغ الجهاز (انظر فصل "الصيانة / تفريغ الجهاز").

## 13. خيارات التركيب

تحذير الصعق بالكهرباء  
عند إجراء أي أعمال، افصل جميع أقطاب الجهاز من الشبكة الكهربائية.

### 13.1 الوصلة الكهربائية المخفية بالأعلى



- 1 جلبة الكابل
- 2 تمرير الكابل

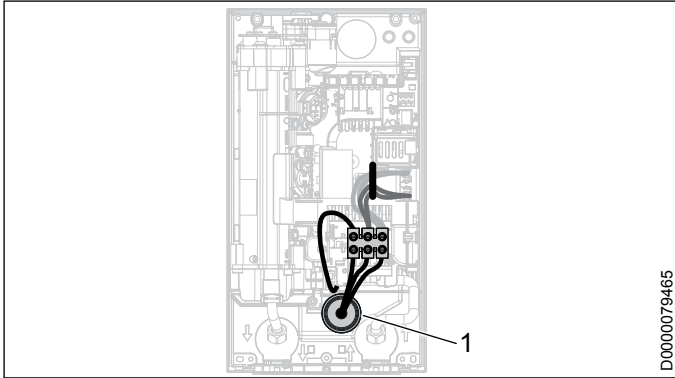
- اقطع المجاري اللازمة لكابل توصيل الشبكة من الجدار الخلفي للجهاز (لمعرفة المواضع انظر فصل "المواصفات الفنية / المقاييس والتوصيلات").
- أزل الحواف الحادة باستخدام مُبرِّد.
- افتح ثقب في جلبة الكابل وفقاً للوصلة الكهربائية المحددة. ركب جلبة الكابل.
- حرّك طرف التوصيل بالشبكة من أسفل إلى أعلى. فك طرف توصيل الشبكة، من خلال تحريك طرف التوصيل بالشبكة إلى اليسار بقوة ثم إلى الأمام. قم بتدوير طرف التوصيل بالشبكة الكهربائية مع كابلات التوصيل بمقدار 180 درجة في اتجاه عقارب الساعة. مد الأسلاك الداخلية أسفل مجرى الكابل.
- ثبت طرف توصيل الشبكة، عن طريق الضغط على طرف توصيل الشبكة الكهربائية وتحريكه إلى اليسار حتى يستقر في مكانه.
- ركب الجهاز ووصل كابل توصيل الشبكة بطرف توصيل الشبكة كما هو موضح في فصل "التركيب/التركيب القياسي المكشوف".

### ملحوظة



فك طرف التوصيل بالشبكة بالأعلى:  
◀ قم بتحرير قفل خطافات التثبيت من الجانب الأيمن باستخدام مفك.

### 13.2 الوصلة الكهربائية المخفية بالأسفل

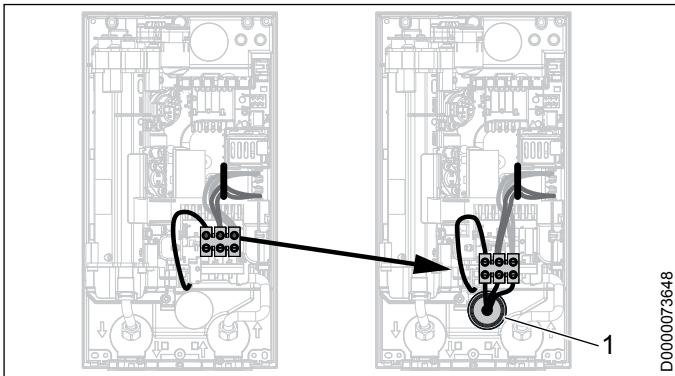


- 1 جلبة الكابل

- اقطع المجاري اللازمة لكابل توصيل الشبكة من الجدار الخلفي للجهاز (لمعرفة المواضع انظر فصل "المواصفات الفنية / المقاييس والتوصيلات").
- أزل الحواف الحادة باستخدام مُبرِّد.
- افتح ثقب في جلبة الكابل وفقاً للوصلة الكهربائية المحددة. ركب جلبة الكابل.
- ركب الجهاز ووصل كابل توصيل الشبكة بطرف توصيل الشبكة كما هو موضح في فصل "التركيب/التركيب القياسي المكشوف".

### 13.3 توصيل كهربائي بكابل توصيل شبكة قصير

إذا كان كابل توصيل الشبكة قصيراً جداً، يمكنك تثبيت طرف توصيل الشبكة الكهربائية في الجهاز بالقرب من فتحة التمرير.

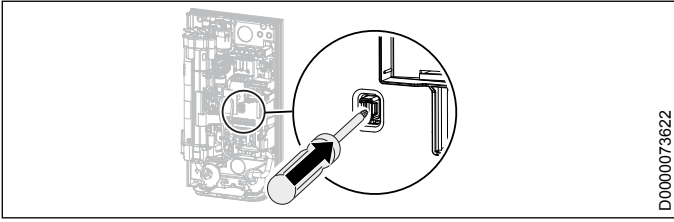


- 1 جلبة الكابل

- حرّك طرف توصيل الشبكة من أعلى إلى أسفل. فك طرف توصيل الشبكة، من خلال تحريك طرف التوصيل بالشبكة إلى اليسار بقوة ثم إلى الأمام.
- ثبت طرف توصيل الشبكة الكهربائية لأسفل، عن طريق الضغط على طرف توصيل الشبكة الكهربائية وتحريكه إلى اليسار حتى يستقر في مكانه.

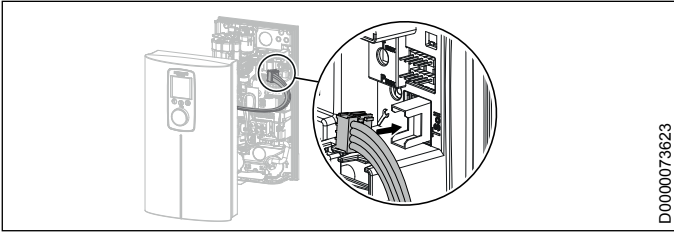


◀ تحقق من عدم وجود أي مواضع تسريب.



D0000073622

◀ فعل مفتاح الأمان من خلال الضغط بقوة على زر إعادة الضبط (يتم توريد الجهاز مع مفتاح أمان غير مفعل).

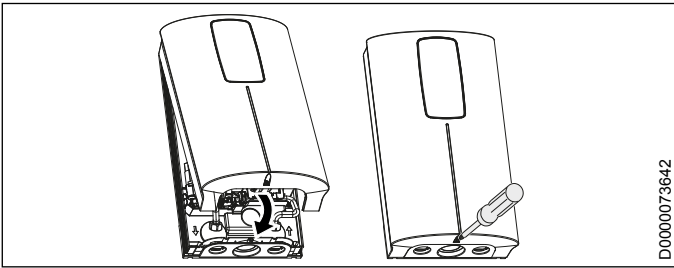


D0000073623

◀ ضع قابس كابل توصيل وحدة التشغيل في المجموعة الإلكترونية.

### ملحوظة

يلزم توصيل كابل توصيل وحدة التشغيل بالمجموعة الإلكترونية قبل تشغيل الجهاز. وحدة التشغيل غير صالحة للعمل.



D0000073642

◀ قم بتعليق غطاء الجهاز على الجهة العلوية بالخلف في الجدار الخلفي للجهاز.  
◀ قم بتحريك غطاء الجهاز نحو الأسفل. افحص التثبيت المحكم لغطاء الجهاز من أعلى وأسفل.  
◀ ثبت غطاء الجهاز بواسطة البرغي.  
◀ أزل رقاقة الحماية من لوحة التحكم.



D0000053281

◀ قم بتشغيل الإمداد بالجهد الكهربائي.  
◀ تأكد من أن وحدة التشغيل تعمل بشكل سليم.

### 11.3.1 تسليم الجهاز لمستهلك آخر

◀ اشرح للمستخدم طريقة عمل الجهاز، وقم بتعريفه بكيفية استخدامه.  
◀ نبّه المستخدم للأخطار المحتملة، ولاسيما خطر الاكتواء.  
◀ قم بتسليمه الدليل.

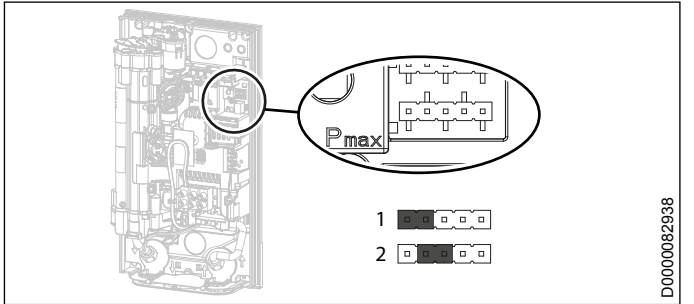
◀ قم بتثبيت الوصلة على الوضعية المرغوبة للوصلة متعددة القوابس "Tmax".

موضع الوصلة	الشرح
43 م°   109 ف°	على سبيل المثال في رياض الأطفال والمستشفيات وما شابه.
50 م°   122 ف°	
55 م°   131 ف°	الحد الأقصى لتشغيل الدش
60 م°   140 ف°	ضبط المصنع
دون الوصلة	الحد 43 م°   109 ف°

**تنبيه الحروق**  
عند التشغيل مع الماء مسبق التسخين، عند استخدام محطات الطاقة الشمسية مثلاً، يُمكن تخطي الحماية الداخلية من الاكتواء، وحد درجة الحرارة المضبوط من قبل المستخدم Tmax.  
◀ في هذه الحالة حدد درجة الحرارة بصنوبر مركزي بثرموستات مسبق التشغيل.

### 11.2 تعديل قدرة التوصيل عبر منفذ توصيل الوصلة

في حالة اختيار قدرة توصيل أخرى بالجهاز بخلاف إعدادات ضبط المصنع، يجب عليك إعادة توصيل الوصلة.



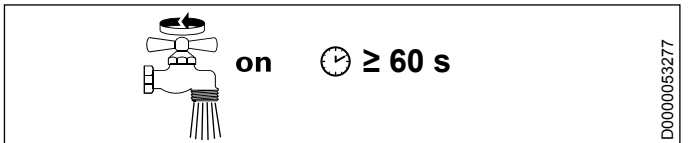
D000002938

◀ قم بتثبيت الوصلة على الوضعية المرغوبة للوصلة متعددة القوابس "Pmax".

موضع الوصلة	قدرة التوصيل	قدرة التوصيل
1	عند 220 فولت 6.0 ك. واط	Premium 12/DCE-X 10
	عند 230 فولت 6.6 ك. واط	
2	عند 240 فولت 7.2 ك. واط	
	عند 220 فولت 8.0 ك. واط	
دون الوصلة	عند 230 فولت 8.7 ك. واط	
	عند 240 فولت 9.6 ك. واط	
عند 220 فولت 6.0 ك. واط	عند 10.0 ك. واط	
	عند 11.0 ك. واط	
عند 230 فولت 6.6 ك. واط	عند 12.0 ك. واط	
	عند 13.1 ك. واط	
عند 240 فولت 7.2 ك. واط	عند 14.3 ك. واط	
	عند 10.0 ك. واط	

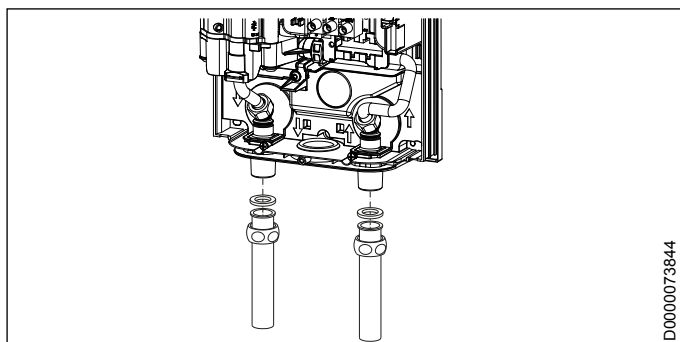
### 11.3 التشغيل الأولي

◀ حدد قدرة التوصيل المختارة على لوحة البيانات. استخدم قلم حبر في الكتابة.



D0000053277

◀ افتح جميع صمامات السحب الموصلة وأغلقها عدة مرات إلى أن تخلو شبكة الأنابيب والجهاز من الهواء.



D0000073844

- ◀ ركب صنوبر ضغط مناسب.
- ◀ اربط أنابيب توصيل الماء بالصنوبر (ليست ضمن التجهيزات الموردة) باستخدام عناصر الإحكام المفلطحة على وصلة المواسير المزدوجة.
- ◀ افتح صمام الإيقاف في وصلة الإمداد بالماء البارد.

### توصيل التيار الكهربائي

تحذير الصعق بالكهرباء  
يجب القيام بجميع أعمال التوصيل والتركيب الكهربائية وفقاً للتعليمات.

تحذير الصعق بالكهرباء  
يُسمح فقط بالتوصيل بشبكة تيار كتوصيل ثابت بالاتياف مع جلبة الكابل القابلة للخلع. كما يجب أن تتوافر إمكانية فصل الجهاز عن وصلة الشبكة الكهربائية من مسافة عزل لا تقل عن 3 ملم من جميع الأقطاب.

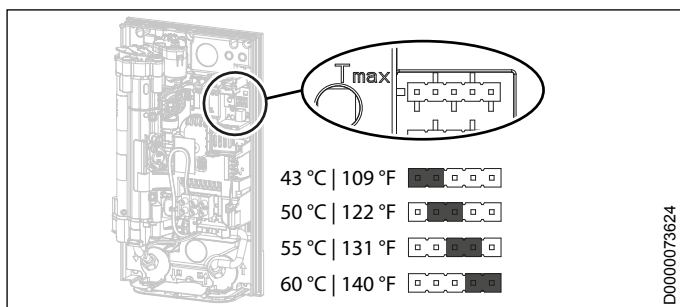
تحذير الصعق بالكهرباء  
تأكد من توصيل الجهاز بالموصل الوقائي.

الأضرار المادية  
انتبه للبيانات المدونة على لوحة البيانات. يجب أن يتوافق الجهد الاسمي المذكور مع جهد التيار الرئيسي.

- ◀ حرك كابل توصيل الشبكة عبر جلبة الكابل.
- ◀ وصل كابل توصيل الشبكة بطرف التوصيل بالشبكة (انظر موضوع "التثبيت / المواصفات الفنية / مخطط التوصيل الكهربائي").

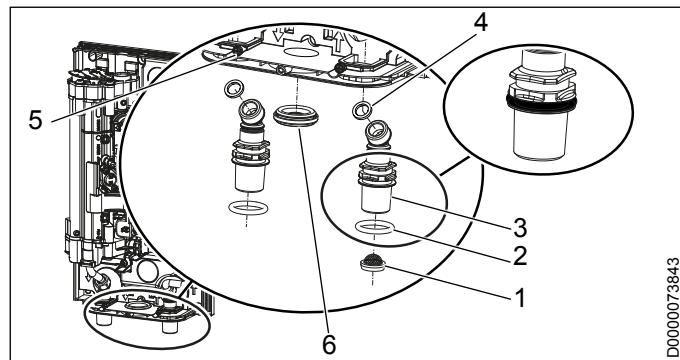
## 11. التشغيل

### 11.1 الحماية الداخلية من الاكتواء من خلال مأخذ توصيل الوصلة



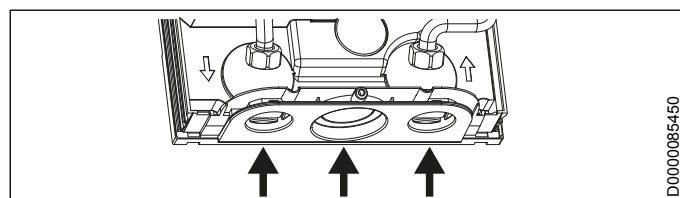
D0000073624

43 °C   109 °F	□ □ □ □ □
50 °C   122 °F	□ □ □ □ □
55 °C   131 °F	□ □ □ □ □
60 °C   140 °F	□ □ □ □ □



D0000073843

- 1 مصفاة
  - 2 حلقات دائرية
  - 3 وصلة مواسير مزدوجة 45°
  - 4 عناصر إحكام مفلطحة
  - 5 براغي تأمين
  - 6 جلبة الكابل
- ◀ قم بفك برغي التأمين.



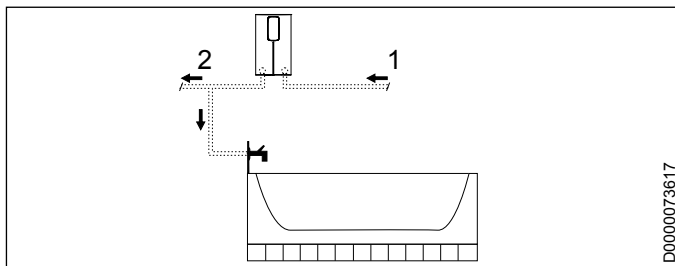
D0000085450

- ◀ ادفع/اقطع بطول العلامات المجاري اللازمة الخاصة بكابل توصيل الشبكة ووصلة المواسير المزدوجة من الجدار الخلفي للجهاز. استخدم أداة مسطحة مناسبة لهذا الغرض. أزل الحواف الحادة باستخدام مُبرِّد.
- ◀ أزل سدادات الحماية عند النقل من أنابيب توصيل الماء.
- ◀ افتح ثقب في جلبة الكابل وفقاً للوصلة الكهربائية المحددة. ركب جلبة الكابل.
- ◀ ركب الحلقات الدائرية في مجرى وصلة المواسير المزدوجة.
- ◀ أدخل وصلة المواسير المزدوجة في فتحات الجدار الخلفي للجهاز وركبها مع عناصر الإحكام المفلطحة على أنابيب توصيل الجهاز (عزم الربط 8 نيوتن متر).
- ◀ أحكم وصلة المواسير المزدوجة ببراعي التأمين.
- ◀ ركب المصفاة في وصلة المواسير المزدوجة بوصلة الماء البارد.

### تركيب الجهاز

- ◀ ادفع/افتح الثقوب العميقة السفلية (المسافة 175 مم) من أجل تثبيت الجهاز من جداره الخلفي (لمعرفة المواضع انظر فصل "المواصفات الفنية / المقاييس والتوصيلات"). فتحتا التثبيت العلويتان مفتوحتان بالفعل.
- ◀ حدد مواضع الثقوب الأربعة بالاستعانة بالجدار الخلفي للجهاز.
- ◀ انقب الثقوب وثبت الجهاز باستخدام وسائل التثبيت المناسبة (البراغي والخوابير ليست ضمن التجهيزات الموردة): برغي برأس غاطس بقطر 4.5 مم مع قطر الرأس بحد أقصى 9 ملم.

التركيب المعلق

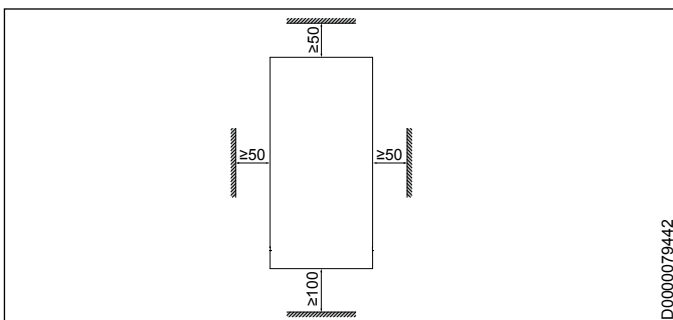


1 مدخل الماء البارد  
2 مخرج الماء الساخن



ملحوظة  
رُكِّب الجهاز معلقًا بالجدار. يجب أن يكون الحائط قادرًا على حمل الجهاز.

9.2 الحد الأدنى للمسافات



التزم بالحد الأدنى للمسافة، لضمان تشغيل الجهاز دون اختلالات وإتاحة إجراء أعمال الصيانة بالجهاز.

9.3 تركيبات الماء



الأضرار المادية  
قم بتنفيذ جميع أعمال توصيل الماء والتركيب طبقًا للتعليمات.

اشطف وصلة الماء جيدًا.

الصنابير

استخدم صنابير ضغط مناسبة. لا يُسمح باستخدام الصنابير المكشوفة.

المواد ومواسير المياه المعتمدة

- وصلة الإمداد بالماء البارد:  
أنبوب صلب مجلفن بالغمس الساخن، أو أنبوب فولاذي، أو أنبوب نحاسي، أو أنبوب بلاستيكي
- وصلة إخراج الماء الساخن:  
أنبوب فولاذي، أو أنبوب نحاسي، أو أنبوب بلاستيكي

الأضرار المادية



في حالة استخدام أنظمة أنابيب بلاستيكية، ينبغي مراعاة الحد الأقصى المسموح به لدرجة حرارة الإمداد، وكذلك أقصى ضغط مسموح به.

التدفق الحجمي

- تأكد من الوصول إلى التدفق الحجمي اللازم لتشغيل الجهاز.
- في حالة عدم الوصول إلى التدفق الحجمي اللازم مع فتح صمام السحب بالكامل، قم بزيادة ضغط وصلة الماء.

10. التركيب

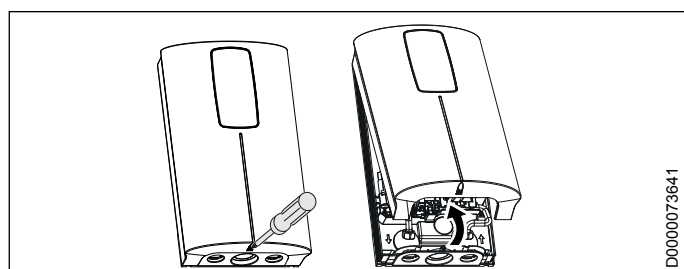
إعدادات ضبط المصنع		
DCE-X 10/12 Premium	DCE-X 6/8 Premium	الحماية الداخلية من الاكتواء بدرجة مئوية
60	60	عند 220 فولت
12.0	8.0	قدرة التوصيل بالكيلواط
13.1	8.7	عند 230 فولت
14.3	9.6	عند 240 فولت

التركيب القياسي		
DCE-X 10/12 Premium	DCE-X 6/8 Premium	التوصيل الكهربائي بأسفل، التثبيت المكشوف بالأسفل
X	X	وصلة ماء التثبيت المكشوف
X	X	

لمعرفة إمكانيات التركيب الأخرى انظر فصل "خيارات التركيب".

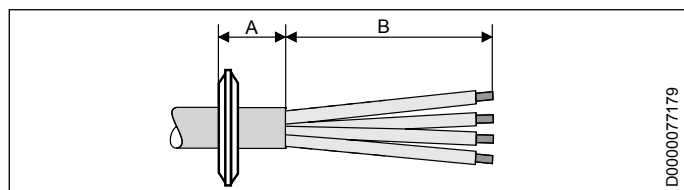
10.1 التركيب القياسي المكشوف

فتح الجهاز



افتح الجهاز عن طريق فك البراغي وفتح غطاء الجهاز.

تحضير كابلات التوصيل الكهربائية



حضّر كابل التوصيل بالشبكة.

الوضع المكشوف	مقاس A	مقاس B
في الأسفل، المنتصف	30	120
في الأسفل، الجانب الأيسر من الجهاز	20	90
في الأسفل، الجانب الأيمن من الجهاز	20	90
في الأعلى، الجانب الأيمن من الجهاز	20	80

الوضع المخفي	مقاس A	مقاس B
في الأسفل	20	90
في الأعلى	20	80

## التثبيت

- يجب ألا تقل المقاومة الكهربائية المحددة للماء عما هو مذكور على لوحة البيانات. في حالة وجود شبكة مياه مترابطة، انتبه إلى أدنى مقاومة كهربائية للماء. يمكنك معرفة المقاومة الكهربائية المحددة للماء أو قابلية التوصيل الكهربائية له من خلال شركة الإمداد بالماء.

## 8. مواصفات الجهاز

## 8.1 التجهيزات الموردة

- يتم توريد ما يلي مع الجهاز:
- 2 وصلة مزدوجة للمواسير 45°
  - 2 عنصر إحكام مفلطح
  - 2 حلقة دائرية
  - جلبة الكابل
  - مصفاة
  - وصلة للحماية من الاكتواء، مرفقة
  - وصلة لمفتاح توصيل وقطع القدرة، مرفقة

## 8.2 الملحقات

## مجموعة تركيب لتركيبات الماء المخفية

الملحقات التالية لازمة لتركيبات الماء المخفية:

- 2 جلبة لسد الفتحات في الجزء الخلفي من الجهاز.
- المصفاة بحافة مانعة للتسرب للتركيب في وصلة المواسير المزدوجة 45°.
- عنصر إحكام مفلطح

## 9. التحضيرات

## 9.1 موضع التركيب

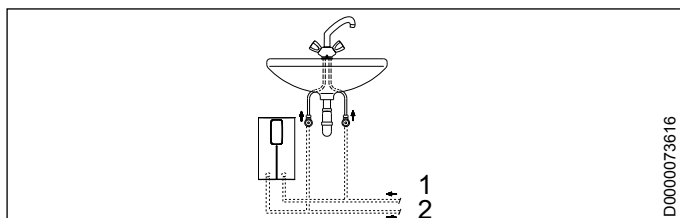
## الأضرار المادية

يجب ألا يتم تثبيت الجهاز إلا في مكان خال من الصقيع.

◀ قم بتثبيت الجهاز بشكل عمودي بالقرب من المأخذ.

الجهاز ملائم للتركيب على الأرضية أو للتعليق.

## التركيب على الأرضية



- 1 مدخل الماء البارد
- 2 مخرج الماء الساخن

## 7. السلامة

لا يجوز تثبيت الجهاز، أو تشغيله، أو صيانته، أو إصلاحه إلا بواسطة فني مختص.

## 7.1 إرشادات السلامة العامة

لا تضمن الكفاءة الوظيفية للجهاز، وتشغيل الجهاز بشكل آمن إلا عند تركيب الملحقات وقطع الغيار الأصلية الخاصة بالجهاز دون غيرها.

## الأضرار المادية

تُرَاعَى درجة الحرارة القصوى للماء الداخل. وفي حالة وجود ماء بدرجات حرارة أعلى، فمن الممكن أن يتلف الجهاز. عند تركيب الصنبور المركزي بثرموستات يمكنك تحديد درجة حرارة الماء الداخل القصوى.

## تحذير الصعق بالكهرباء

يحتوي هذا الجهاز على مكثفات كهربائية تقوم بالتفريغ تلقائياً بعد الفصل عن الشبكة الكهربائية. قد يصل جهد تفريغ المكثف الكهربائي في بعض الحالات إلى < 60 فولت تيار مستمر.

## 7.2 تشغيل الدُش

## تنبيه الحروق

◀ في حالة إمداد الدُش، قم بضبط الحماية الداخلية من الاكتواء على درجة حرارة 55 °م، انظر فصل "التشغيل / التحضيرات".

## تنبيه الحروق

عند التشغيل مع الماء مسبق التسخين، عند استخدام محطات الطاقة الشمسية مثلاً، برجاء مراعاة الملحوظة التالية:  
يُمكن أن تتخطى درجة حرارة الماء الساخن القيمة المستهدفة المضبوطة أو حد درجة الحرارة المضبوط.  
◀ في هذه الحالة حدد درجة الحرارة بصنبور مركزي بثرموستات مسبق التشغيل.

## 7.3 اللوائح، والمعايير، والتشريعات

## ملحوظة

انتبه لجميع التعليمات والتشريعات المحلية والإقليمية.

- لا يمكن ضمان تحقيق فئة الحماية IP 25 (حماية ضد الماء المتناثر) إلا من خلال جلبة الكابل المجهزة بشكل صحيح وباستخدام براغي برأس غاطسة بقطر 4.5 مم مع قطر الرأس بحد أقصى 9 مم.

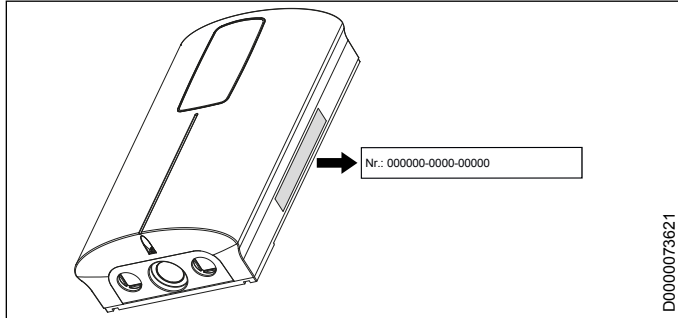
## 6. حل المشاكل

المشكلة	السبب	كيفية التغلب عليه
الجهاز لا يعمل رغم أن صمام الماء الساخن مفتوح على آخره.	لا يوجد جهد كهربائي في الجهاز.	افحص المصاهر الموجودة في التركيبات المنزلية.
خلال خروج الماء الساخن، يتدفق ماء بارد لفترة قصيرة.	منظم التدفق في الصنبور أو رأس الدش به كلس أو متسخة. تم قطع التغذية بالماء.	نظف و/أو أزل الكلس من منظم التدفق أو رأس الدش. قم بتفريغ الهواء من الجهاز ومن وصلة الماء البارد.
لا يمكن ضبط درجة الحرارة المرغوبة.	خاصية التعرف على الهواء ترصد وجود هواء في الماء وتوقف قدرة التسخين لفترة قصيرة.	يعمل الجهاز تلقائيًا مرة أخرى بعد دقيقة واحدة.
كمية التدفق منخفضة للغاية.	خاصية ECO-مفعلة.	قم بتعطيل خاصية تحديد درجة الحرارة. لا يمكن تغيير الحماية الداخلية من الاكتواء إلا من قبل فني متخصص.
لا يمكن إجراء أي إعدادات على وحدة التشغيل.	قفل التشغيل مُغلق.	اضبط على مستوى ECO آخر، أو ألغى تفعيل خاصية-ECO. لتعطيل قفل التشغيل، اضغط على المفتاح "1" لأكثر من 12 ثانية

## ملحوظة

تبقى مؤشرات العرض في وحدة التشغيل والإعدادات المختارة محفوظة بعد انقطاع الإمداد بالجهد الكهربائي (ما عدا الوقت).

إذا تعذر عليك إصلاح سبب العطل، اتصل بفني متخصص للحصول على مساعدة أفضل وأسرع، أبلغه برقم لوحة البيانات وهو (000000-0000-000000).



## 4.10 توصيات الضبط

يضمن سخان الماء الفوري الخاص بك تقديم أقصى قدر من الدقة والراحة أثناء توفير الماء الساخن. ولكن في حالة استخدام الجهاز مع محبس مزود بثرموستات، فإننا نوصي بما يلي:

- ◀ اضبط درجة الحرارة المستهدفة على الجهاز لتكون أكثر من 50 °م. ثم اضبط درجة الحرارة المستهدفة المرغوبة على المحبس المزود بثرموستات.

## توفير الطاقة

تحتاج إلى الحد الأدنى من الطاقة عند الإعدادات التالية التي نوصي بها:

- 38 °م لحوض غسل اليدين والدُش، والبانيو
- 55 °م لحوض المطبخ

## الحماية الداخلية من الاكتواء (الفنيون المتخصصون)

بناءً على رغبتك، يمكن للفني المتخصص ضبط تحديد درجة الحرارة بشكل مستمر، على سبيل المثال داخل رياض الأطفال والمستشفيات وما شابه.

توصية الضبط في حالة التشغيل مع استخدام محبس مزود بثرموستات وماء مسخن مسبقًا بالطاقة الشمسية

- ◀ اضبط درجة الحرارة بالجهاز على الحد الأقصى لدرجة الحرارة.

## بعد قطع التغذية بالماء

## الأضرار المادية

- حتى لا يتلف نظام التسخين بالسلك العاري بعد انقطاع التغذية بالماء، يجب إعادة تشغيل الجهاز باتباع الخطوات التالية.
- ◀ افصل الجهاز عن التيار، من خلال إيقاف المصاهر.
- ◀ افتح المحبس لمدة دقيقة واحدة، إلى أن يتم تنفيس الهواء من الجهاز ووصلة الماء البارد الموصلة مسبقًا.
- ◀ قم بتشغيل الإمداد بالجهد الكهربائي مرة أخرى.

## 5. التنظيف، والعناية، والصيانة

- ◀ لا تستخدم مواد تنظيف حاكة أو مُذيبة. للعناية بالجهاز وتنظيفه يكفي استخدام قطعة قماش مبللة.
- ◀ افحص حالة المحابس بصفة دورية. ويمكنك إزالة الكلس الموجود عند مخارج المحابس باستخدام وسائل إزالة الكلس المتداولة.

القائمة	الشرح	بيان   إعداد قابل للاختيار	إيضاحات	الرمز   شاشة العرض
P 8	ضبط الوقت	--:--	يمكنك ضبط الوقت بنظام 12 أو 24 ساعة: - 12 ساعة من 00:00 - 11:59 صباحاً   11:59 - 00:00 مساءً - 24 ساعة من 00:00 حتى 23:59 بعد انقطاع التيار الكهربائي، يجب عليك إعادة ضبط الوقت الحالي.	صباحاً   مساءً (فقط مع تنسيق 12 ساعة)
P 9	قفل التشغيل	On   OFF	يمكنك ضبط قفل التشغيل على "On" أو "OFF". إلغاء تفعيل قفل التشغيل المحدد: ◀ اضغط على المفتاح "i" لأكثر من 12 ثانية.	⏻ (فقط عند On)
P 10	إعادة الضبط إلى إعدادات المصنع	Reset (r5t)	يمكنك إعادة ضبط الجهاز إلى إعدادات المصنع. سيتم عرض الرمز "rSET" في الشاشة. ◀ اضغط على المفتاحين "1" و"2" في نفس الوقت لأكثر من 5 ثوانٍ. يتغير البيان إلى "On" لتأكيد إعادة الضبط. ◀ لتأكيد "On"، اضغط على المفتاح "i" لأكثر من 5 ثوانٍ.	
P 11	إعادة ضبط قيم الاستهلاك	Reset (r5t   i)	يمكنك إعادة ضبط قيم الاستهلاك. سيتم عرض الرمز "rSET" في الشاشة. ◀ اضغط على المفتاحين "1" و"2" في نفس الوقت لأكثر من 5 ثوانٍ. يتغير البيان إلى "On" لتأكيد إعادة الضبط. ◀ لتأكيد "On"، اضغط على المفتاح "i" لأكثر من 5 ثوانٍ.	
P 12	الإضاءة الخلفية	Auto   On	يمكنك ضبط إضاءة خلفية الشاشة. - عند اختيار "Auto" يتم تشغيل الإضاءة الخلفية في حالة تشغيل التسخين وعند أي استخدام. بعد مرور 30 ثانية بدون استخدام، تنطفئ الإضاءة الخلفية مجدداً. - عند اختيار "On"، تضيء الإضاءة الخلفية بشكل مستمر.	
P 13	تعطيم الإضاءة الخلفية	100%   20% (=)	يمكنك اختيار درجة سطوع إضاءة الخلفية من بين مستويين.	

#### 4.9.3 إلغاء تفعيل قائمة المعلمات

- ◀ غادر عنصر القائمة عن طريق الضغط على مفتاح "i" لأكثر من 5 ثوانٍ.  
بدلاً من ذلك: بعد 30 ثانية من إنهاء الإعداد، يُغلق عنصر القائمة تلقائياً.



## 4.9 إعدادات قائمة المعلمات

## 4.9.1 تفعيل قائمة المعلمات

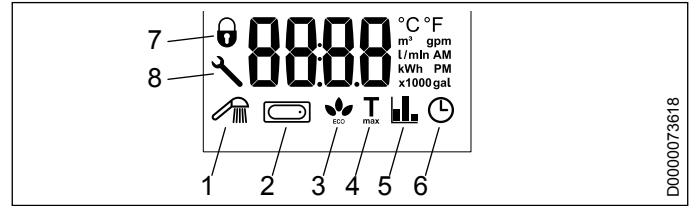
- ◀ اضغط على المفتاح "i" لأكثر من 5 ثوانٍ حتى يظهر "P 1"، واستمر بالضغط على المفتاح "i" لفترة وجيزة.  
 ▶ في قائمة المعلمات المحددة، أدر مفتاح ضبط درجة الحرارة على البيان / الإعداد المطلوب.

## 4.9.2 قائمة المعلمات

القائمة	الشرح	بيان   إعداد قابل للاختيار	إيضاحات	الرمز   شاشة العرض
P 1	خاصية ECO لتوفير المياه والطاقة	OFF   ECO1   ECO2   ECO3	تتيح لك خاصية ECO الحد من معدل التدفق إلى القيمة القصوى. تحديد كمية التدفق: 6 لترات/دقيقة مع "5"   ECO1 لترات/دقيقة مع "4"   ECO2 لترات/دقيقة مع "ECO3"   دون تحديد كمية التدفق مع "OFF".	
P 2	تحديد درجة الحرارة Tmax	20.5   20.0   OFF ... °م أو 68   69 ... °ف	مع خاصية تحديد درجة الحرارة، يمكنك كمستخدم تحديد درجة الحرارة المستهدفة القابلة للتعديل بالجهاز على قيمة قصوى. تحقق مما إذا كان الحد الأقصى لدرجة الحرارة قد تم تطبيقه بشكل صحيح أم لا. يمكن للفني المتخصص أيضًا ضبط درجة حرارة الحماية من الاكتواء. درجة الحرارة هذه هي الحد الأقصى لنطاق ضبط تحديد درجة الحرارة.	T
P 3	دُش الاستحمام	OFF   Pro1   Pro2   Pro3   Pro4	في برنامج دُش الاستحمام، يمكنك اختيار أربعة برامج مختلفة للتغيير بين الماء البارد والساخن. WW = الماء الساخن، KW = الماء البارد، min = دقائق، sec = ثواني - 1 الوقاية من نزلة البرد لزيادة المناعة نوصي بأخذ دش بارد في النهاية؛ وبالتالي يبدأ الاحترار المنعكس في الجسم.	
			- 2 انتعاش الشتاء كإنهاية منعش للذش الشتوي باستخدام إعادة التسخين.	
			- 3 برنامج اللياقة الصيفي دش التبدل السريع لزيادة اللياقة البدنية باستخدام إعادة التسخين في النهاية.	
			- 4 برنامج الدورة الدموية لتنشيط الدورة الدموية تُغسل اليدين والساقين بالماء البارد. يجب أن يبدأ الاستحمام من اليدين والقدمين ثم الجسم. يمكنك بعد ذلك تكرار هذه العملية بالماء الدافئ.	
P 4	تجهيزة الضبط التلقائي لكمية الماء، ضبط الكميات بالوحدة المحددة	200 ...   10   5   OFF لتر أو 52 ...   2   1 جالون	باستخدام تجهيزة الضبط التلقائي لكمية الماء، يمكنك اختيار كمية الماء مثلًا لملء حوض الاستحمام. عند الوصول إلى كمية الماء المحددة مسبقًا، فإن تجهيزة الضبط التلقائي تقلل التدفق. يجب تفعيل تجهيزة الضبط التلقائي لكمية الماء قبل كل ملء لحوض الاستحمام. مثال ملء الحوض 80 لتر (21 جالون): بعد الوصول إلى سعة ملء الحوض 80 لترًا (21 جالونًا)، تعمل التجهيزة التلقائية على تقليل معدل التدفق إلى 4 لترات/دقيقة (1 جالون في الدقيقة).	
P 5	وحدة درجة الحرارة	م   ف	اختر وحدة درجة الحرارة لجميع الإعدادات.	°م   °ف
P 6	وحدة الحجم	لتر   جالون	اختر وحدة الحجم لجميع الإعدادات.	لتر   جالون
P 7	تنسيق الوقت	24 ساعة   12 ساعة	اختر تنسيق الوقت.	

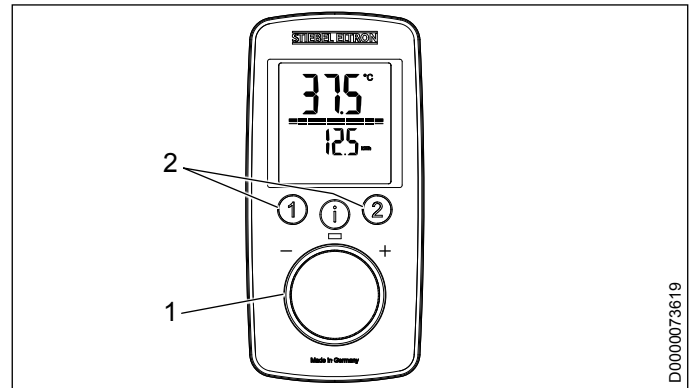
## 4.2 الرموز في شاشة العرض

عند التفعيل تظهر الرموز على الشاشة.



- 1 دُش الإستحمام
- 2 تجهيزة الضبط التلقائي لكمية الماء
- 3 عرض-ECO
- 4 درجة الحرارة القصوى، العرض عند تفعيل تحديد درجة الحرارة
- 5 عرض الاستهلاك
- 6 الوقت
- 7 قفل التشغيل [تشغيل / إيقاف]
- 8 مفتاح انجليزي، يظهر في حالة وجود خطأ بالجهاز

## 4.3 ضبط درجة الحرارة المستهدفة



- 1 ضبط درجة الحرارة المستهدفة: 20 - 60 °C، OFF °C
- 2 استدعاء / تعيين درجات الحرارة المطلوبة

الإعدادات	
الخطوة	الضبط
الخطوة 1 °C	68 °F ... 140 °F
الخطوة 2 °C	60 °C ... 0.5 °C

## 4.4 تحديد درجة الحرارة باستخدام الحماية الداخلية من الاكتواء (الفنيون المتخصصون)

بناءً على رغبتك، يمكن للفني المتخصص ضبط تحديد درجة الحرارة بشكل مستمر، على سبيل المثال داخل رياض الأطفال والمستشفيات وما شابه.

عند إمداد الدُش، يجب على الفني المتخصص تحديد نطاق درجة الحرارة في الجهاز على درجة حرارة 55 °C أو أقل.

إذا تم الوصول إلى قيمة درجة الحرارة المضبوطة عند تفعيل خاصية الحماية من الاكتواء، فإن "Tmax" يومض.

## 4.5 تحديد درجة الحرارة Tmax (المستخدم)

يمكنك ضبط حد درجة الحرارة بشكل فردي. عند تفعيل تحديد درجة الحرارة، يظهر "Tmax" على الشاشة.

### تفعيل / تعطيل تحديد درجة الحرارة Tmax

انظر فصل "إعدادات قائمة المعلمات".

## 4.6 تشغيل مفاتيح حفظ درجة الحرارة

يمكنك تخصيص أزرار الحفظ "1" و "2" لحفظ درجة الحرارة المطلوبة.

◀ اختر درجة الحرارة المطلوبة.

◀ اضغط على الزر "1" أو "2" لأكثر من 3 ثوان لحفظ درجة الحرارة المطلوبة. يتم تأكيد درجة الحرارة المختارة مع وميض لمرة واحدة.

## 4.7 إرشاد لدرجة حرارة الماء الداخل

إذا تم تشغيل الجهاز بماء مُسَخَّن مسبقًا مع تخطي درجة حرارة ماء الإمداد لدرجة الحرارة المرجعية، فسُتعرض درجة حرارة الماء الداخل في صف العرض الثاني من الشاشة وستومض. ولن تتم مواصلة تسخين الماء.

## 4.8 قائمة المعلومات

يتضمن الجهاز شاشة جانبية، يُمكن أن يُعرض عليها قيم الاستهلاك.

### 4.8.1 استدعاء قائمة المعلومات

◀ اضغط لفترة وجيزة على المفتاح "i" حتى يظهر "i"، ثم تابع بالضغط على المفتاح "i" مرة أخرى.

◀ غادر عنصر القائمة عن طريق الضغط على مفتاح "i" لأكثر من 5 ثوان. بدلاً من ذلك: بعد 30 ثانية من إنهاء الإعداد، يُغلق عنصر القائمة تلقائيًا.

القائمة	الشرح	إيضاحات	البيان   شاشة العرض
1   التدفق	التدفق	بيان معدل التدفق الحالي.	قيمة التدفق بوحدة لتر/دقيقة أو جالون/دقيقة
2   الوقت	الوقت	بيان الوقت الحالي.	الوقت،
3   استهلاك الطاقة	استهلاك الطاقة	تعرض كمية الطاقة المستهلكة.	القيمة بكيلوواط/ساعة
4   استهلاك الماء	استهلاك الماء	تعرض كمية الماء المستهلكة.	القيمة بوحدة م <sup>3</sup> أو جالون



ملحوظة  
تُحسب قيم الاستهلاك بدءًا من آخر إعادة ضبط.

يمكنك تخزين درجات حرارة مستهدفة مختلفة واستدعاؤها بسرعة. في خاصية ECO، يحد صمام المحرك المدمج من معدل التدفق في 3 مستويات مسبقة الضبط. يحتوي الجهاز على خيارات لتحديد درجة الحرارة (وظيفة Tmax المستخدم) والحماية الداخلية من الاكتواء (الفنيون المتخصصون). يتم تشغيل الإضاءة الخلفية تلقائيًا بمجرد تدفق المياه عبر الجهاز أو إجراء تغيير بلوحة التحكم. ستنتطفئ الإضاءة الخلفية تلقائيًا عند عدم استخدام لوحة التحكم، وبعد إغلاق الماء.

#### نظام التسخين

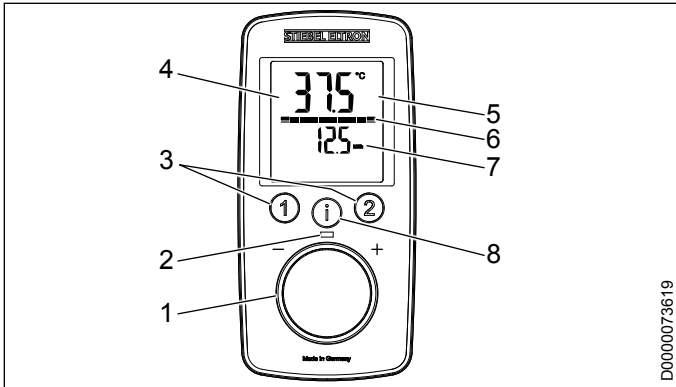
نظام التسخين بالسلك العاري محاط بغلاف بلاستيكي محكم الضغط. نظام التسخين بملف تسخين فولاذي مناسب للماء منخفض الكلس أو المحتوي على الكلس، وهو لا يتأثر بالكلس إلى حد كبير. ويضمن نظام التسخين تحضير الماء الساخن بسرعة وكفاءة.

#### ملحوظة

الجهاز مزود بخاصية التعرف على الهواء التي تمنع تلف نظام التسخين إلى حد كبير. عند تسرب هواء إلى الجهاز خلال التشغيل، يوقف الجهاز قدرة التسخين لمدة دقيقة واحدة، وبذلك يحمي نظام التسخين.

## 4. الإعدادات والبيانات

### 4.1 لوحة التحكم



- 1 مفتاح الضبط
- 2 تشغيل-LED (تومض مع بلوغ الحد الأقصى للقدرة)
- 3 أزرار حفظ درجة الحرارة
- 4 شاشة العرض مع الإضاءة الخلفية
- 5 عرض الشاشة الرئيسية | عرض المعلومات | عرض المعلمات
- 6 عرض القطاع [10 - 100%]
- 7 صف العرض الثاني
- 8 مفتاح "i" للحصول على المعلومات واختيار القائمة



**تنبيه الحروق**  
عند التشغيل مع الماء مسبق التسخين، عند استخدام محطات الطاقة الشمسية مثلًا، برجاء مراعاة الملحوظة التالية:  
يُمكن أن تتخطى درجة حرارة الماء الساخن القيمة المستهدفة المضبوطة أو حد درجة الحرارة المضبوط.  
◀ في هذه الحالة حدد درجة الحرارة بصنوبر مركزي بثرموستات مسبق التشغيل.



**تحذير الإصابة**  
يمكن استخدام الجهاز من قِبل الأطفال بدءًا من عمر 3 سنوات، وكذلك من قِبل الأشخاص ذوي القدرات البدنية أو الحسية أو العقلية المحدودة، أو الذين لديهم نقص في الخبرة والمعرفة في حالة الإشراف عليهم أو إرشادهم بشأن كيفية الاستخدام الآمن للجهاز، واستيعابهم للمخاطر الناشئة عن ذلك. لا يُسمح للأطفال باللعب بالجهاز. لا يجوز قيام المستخدم بالسماح بتنظيف وصيانة الجهاز من قِبل الأطفال دون مراقبة.



**الأضرار المادية**  
يجب حماية الجهاز والمحبس من التجمد من قِبل المستخدم.



**ملحوظة**  
لتلبية متطلبات فئة الحماية IP 25، يجب استخدام براغي برأس غاسطة لتثبيت الجهاز على الحائط.

## 2.3 رموز الاختبار

انظر لوحة البيانات الموجودة على الجهاز.

## 3. مواصفات الجهاز

بمجرد فتح صمام الماء الساخن من المحبس، يتم تشغيل الجهاز تلقائيًا. عند غلق المحبس، يتوقف الجهاز عن العمل تلقائيًا.

يقوم الجهاز بتسخين الماء خلال تدفقه عبر الجهاز. درجة الحرارة المستهدفة قابلة للضبط. بداية من كمية تدفق محددة، يقوم المنظم بتشغيل قدرة التسخين اللازمة بالاعتماد على درجة الحرارة المضبوطة ودرجة حرارة الماء البارد.

سخان المياه الفوري المدمج ذو تحكم إلكتروني كامل المزود بخاصية مواعمة القدرة أوتوماتيكيًا يحافظ على ثبات درجة حرارة الماء الخارج. تُسخن المياه عن طريق التحكم الإلكتروني بالكامل باستخدام صمام ذي محرك إلى درجة الحرارة المحددة بالضبط. يتم ذلك بغض النظر عن درجة حرارة الماء الداخل.

إذا تم تشغيل الجهاز بماء مُسخن مسبقًا مع تخطي درجة حرارة ماء الإمداد لدرجة الحرارة المضبوطة، فسُتعرض درجة حرارة الماء الداخل في صف العرض الثاني من الشاشة وستومض. ولن تتم مواصلة تسخين الماء.

## الاستعمال

### 1. إرشادات عامة

الفصلان "إرشادات خاصة" و "الاستعمال" موجهان لمستخدم الجهاز والفني المختص.  
فصل "التثبيت" موجه للفني المختص.

#### ملحوظة

اقرأ هذا الدليل بعناية قبل بدء الاستخدام واحتفظ به.  
عند الضرورة، قم بتسليم الدليل للمستخدم الجديد.

### 1.1 إرشادات السلامة

#### 1.1.1 تقسيم إرشادات السلامة

كلمة تنبيه نوع الخطر  
تجد هنا العواقب المحتملة جراء تجاهل إرشاد السلامة.  
تجد هنا إجراءات لكيفية درء الأخطار.

#### 1.1.2 الرموز، نوع الخطر

الرمز	نوع الخطر
	إصابة
	صعق بالكهرباء
	حروق (حروق، اكتواءات)

#### 1.1.3 كلمات التنبيه

كلمة التنبيه	الوصف
خطر	إرشادات يؤدي تجاهلها إلى وقوع إصابات خطيرة أو الوفاة.
تحذير	إرشادات يمكن أن يؤدي تجاهلها إلى وقوع إصابات خطيرة أو الوفاة.
تنبيه	إرشادات يمكن أن يؤدي تجاهلها إلى إصابات متوسطة الشدة أو خفيفة.

### 1.2 العلامات الأخرى في هذا الدليل

#### ملحوظة

يتم تمييز الإرشادات العامة بالرمز المجاور.  
اقرأ نصوص الإرشادات بعناية.

الوصف	الرمز
الأضرار المادية (أضرار في الأجهزة، أضرار لاحقة، أضرار ببنية)	
التخلص من الجهاز	

يشير هذا الرمز إلى أنه يتوجب عليك اتخاذ إجراء ما. والإجراء المطلوب منك القيام به مشروح خطوة بخطوة.

### 1.3 وحدات القياس

#### ملحوظة

ما لم يُذكر خلاف ذلك، يتم احتساب جميع القياسات بوحدة الملليمتير.

## 2. السلامة

### 2.1 الاستخدام المطابق للتعليمات

الجهاز مخصص لتسخين ماء الشرب أو لإعادة تسخين ماء سبق تسخينه. يمكن أن يكون الجهاز مزودًا بمأخذ واحد أو عدة مأخذ للمياه.

إذا تم تجاوز درجة حرارة الماء الداخل القصى المعدة لإعادة التسخين، فإن عملية إعادة التسخين لن تتم.

الجهاز مخصص للاستخدام في البيئة المنزلية. ويمكن استعماله بشكل آمن من قِبل الأشخاص غير المدربين. كما يمكن استخدام الجهاز أيضاً في البيئة غير المنزلية، مثلاً في المنشآت الصغيرة، طالما يتم الاستخدام بنفس الطريقة.

ويعد أي استخدام آخر أو خارج النطاق الموضح استخدامًا مخالفًا للتعليمات. ويندرج كذلك ضمن الاستخدام المطابق للتعليمات مراعاة ما ورد في هذا الدليل، وكذلك أدلة الملحقات المستخدمة.

### 2.2 إرشادات السلامة العامة

تنبيه الحروق  
أثناء التشغيل قد تزيد درجة حرارة الصنوبر حتى 70 °م.  
مع درجات حرارة الماء الخارج التي تزيد على 43 °م، ينطوي الأمر على خطر الإصابة باكتواءات.

تنبيه الحروق  
في حالة استخدام الجهاز من قِبل أطفال، أو أشخاص ذوي قدرات جسدية أو حسية أو عقلية محدودة، ننصح بضبط حد درجة الحرارة. تأكد من التشغيل السليم لحد درجة الحرارة المضبوط.  
إذا كان من الضروري تحديد درجة الحرارة بشكل دائم غير متغير، فاضبط الحماية الداخلية من الاكتواء بالاستعانة بفني متخصص.

## إرشادات خاصة

- لا يُسمح بتراجع مقاومة الماء المحددة لشبكة إمدادات المياه (انظر فصل "التثبيت / المواصفات الفنية / جدول البيانات").
- فرغ الجهاز كما هو موضح في فصل "التثبيت / الصيانة / تفريغ الجهاز".

- يمكن استخدام الجهاز من قبل الأطفال بدءًا من عمر 3 سنوات، وكذلك من قبل الأشخاص ذوي القدرات البدنية أو الحسية أو العقلية المحدودة، أو الذين لديهم نقص في الخبرة والمعرفة في حالة الإشراف عليهم أو إرشادهم بشأن كيفية الاستخدام الآمن للجهاز، واستيعابهم للمخاطر الناشئة عن ذلك. لا يُسمح للأطفال باللعب بالجهاز. لا يجوز قيام المستخدم بالسماح بتنظيف وصيانة الجهاز من قبل الأطفال دون مراقبة.

- أثناء التشغيل قد تزيد درجة حرارة الصنبور حتى 70 °م. مع درجات حرارة الماء الخارج التي تزيد على 43 °م، ينطوي الأمر على خطر الإصابة باكتواءات.

- الجهاز مناسب لإمداد الدُش (تشغيل الدُش). في حالة استخدام الجهاز أيضًا أو حصريًا لتشغيل الدُش، يجب على الفني المختص ضبط نطاق درجة الحرارة من خلال خاصية الحماية الداخلية من الاكتواء لتكون في نطاق 55 °م أو أقل. في حالة استخدام الماء المسخن مسبقًا، يجب التحقق من أن درجة حرارة الإمداد لن تتعدى 55 °م.

- كما يجب أن تتوافر إمكانية فصل الجهاز عن وصلة الشبكة الكهربائية من مسافة عزل لا تقل عن 3 ملم من جميع الأقطاب.

- يجب أن يتوافق الجهد المذكور مع إمدادات الطاقة.

- يجب توصيل الجهاز بموصّل وقائي.

- يجب أن يكون الجهاز متصلًا دومًا بسلك توصيل ثابت.

- ثبت الجهاز كما هو مشروح في فصل "التثبيت / التركيب".

- انتبه إلى الضغط الأقصى المسموح به (انظر فصل "التثبيت / المواصفات الفنية / جدول البيانات").

			إرشادات خاصة
			الاستعمال
16	معلومات-الخدمة	.14	1. إرشادات عامة
16	إصلاح الأعطال	.15	1.1 إرشادات السلامة
17	بيان رمز الخطأ	15.1	1.2 العلامات الأخرى في هذا الدليل
18	الصيانة	.16	1.3 وحدات القياس
18	تفريغ الجهاز	16.1	2. السلامة
18	تنظيف المصفاة	16.2	2.1 الاستخدام المطابق للتعليمات
18	المواصفات الفنية	.17	2.2 إرشادات السلامة العامة
18	المقاييس والتوصيلات	17.1	2.3 رموز الاختبار
19	مخطط التوصيل الكهربائي	17.2	3. مواصفات الجهاز
19	قدرة الماء الساخن	17.3	4. الإعدادات والبيانات
19	مجالات الاستخدام / جدول التحويل	17.4	4.1 لوحة التحكم
20	فقدان الضغط	17.5	4.2 الرموز في شاشة العرض
20	حالات الأعطال	17.6	4.3 ضبط درجة الحرارة المستهدفة
20	بيانات استهلاك الطاقة	17.7	4.4 تحديد درجة الحرارة باستخدام الحماية الداخلية من الاكتواء (الفتيون المتخصصون)
21	جدول البيانات	17.8	4.5 تحديد درجة الحرارة Tmax (المستخدم)
	الضمان		4.6 تشغيل مفاتيح حفظ درجة الحرارة
	البيئة وإعادة التدوير		4.7 إرشاد لدرجة حرارة الماء الداخل
			4.8 قائمة المعلومات
			4.9 إعدادات قائمة المعلمات
			4.10 توصيات الضبط
			5. التنظيف، والعناية، والصيانة
			6. حل المشاكل
			التثبيت
			7. السلامة
			7.1 إرشادات السلامة العامة
			7.2 تشغيل الدُش
			7.3 اللوائح، والمعايير، والتشريعات
			8. مواصفات الجهاز
			8.1 التجهيزات الموردة
			8.2 الملحقات
			9. التحضيرات
			9.1 موضع التركيب
			9.2 الحد الأدنى للمسافات
			9.3 تركيبات الماء
			10. التركيب
			10.1 التركيب القياسي المكشوف
			11. التشغيل
			11.1 الحماية الداخلية من الاكتواء من خلال مأخذ توصيل الوصلة
			11.2 تعديل قدرة التوصيل عبر منفذ توصيل الوصلة
			11.3 التشغيل الأولي
			11.4 إعادة التشغيل
			12. إيقاف التشغيل
			13. خيارات التركيب
			13.1 الوصلة الكهربائية المخفية بالأعلى
			13.2 الوصلة الكهربائية المخفية بالأسفل
			13.3 توصيل كهربائي بكابل توصيل شبكة قصير
			13.4 الوصلة الكهربائية الجانبية المكشوفة
			13.5 تركيبات الماء المخفية
			13.6 التشغيل مع الماء مسبق التسخين



## Deutschland

STIEBEL ELTRON GmbH & Co. KG  
Dr.-Stiebel-Straße 33 | 37603 Holzminden  
Tel. 05531 702-0 | Fax 05531 702-480  
info@stiebel-eltron.de  
www.stiebel-eltron.de

## Verkauf

Tel. 05531 702-110 | Fax 05531 702-95108 | info-center@stiebel-eltron.de

## Kundendienst

Tel. 05531 702-111 | Fax 05531 702-95890 | kundendienst@stiebel-eltron.de

## Ersatzteilverkauf

Tel. 05531 702-120 | Fax 05531 702-95335 | ersatzteile@stiebel-eltron.de

## Australia

STIEBEL ELTRON Australia Pty. Ltd.  
294 Salmon Street | Port Melbourne VIC 3207  
Tel. 03 9645-1833 | Fax 03 9644-5091  
info@stiebel-eltron.com.au  
www.stiebel-eltron.com.au

## Austria

STIEBEL ELTRON Ges.m.b.H.  
Gewerbegebiet Neubau-Nord  
Margaritenstraße 4 A | 4063 Hörsching  
Tel. 07221 74600-0 | Fax 07221 74600-42  
info@stiebel-eltron.at  
www.stiebel-eltron.at

## Belgium

STIEBEL ELTRON bvba/sprl  
't Hofveld 6 - D1 | 1702 Groot-Bijgaarden  
Tel. 02 42322-22 | Fax 02 42322-12  
info@stiebel-eltron.be  
www.stiebel-eltron.be

## China

STIEBEL ELTRON (Tianjin) Electric Appliance Co., Ltd.  
Plant C3, XEDA International Industry City  
Xiqing Economic Development Area  
300085 Tianjin  
Tel. 022 8396 2077 | Fax 022 8396 2075  
info@stiebel-eltron.cn  
www.stiebel-eltron.cn

## Czech Republic

STIEBEL ELTRON spol. s r.o.  
Dopraváků 749/3 | 184 00 Praha 8  
Tel. 251116-111 | Fax 235512-122  
info@stiebel-eltron.cz  
www.stiebel-eltron.cz

## Finland

STIEBEL ELTRON OY  
Kapinakuja 1 | 04600 Mäntsälä  
Tel. 020 720-9988  
info@stiebel-eltron.fi  
www.stiebel-eltron.fi

## France

STIEBEL ELTRON SAS  
7-9, rue des Selliers  
B.P 85107 | 57073 Metz-Cédex 3  
Tel. 0387 7438-88 | Fax 0387 7468-26  
info@stiebel-eltron.fr  
www.stiebel-eltron.fr

## Hungary

STIEBEL ELTRON Kft.  
Gyár u. 2 | 2040 Budaörs  
Tel. 01 250-6055 | Fax 01 368-8097  
info@stiebel-eltron.hu  
www.stiebel-eltron.hu

## Japan

NIHON STIEBEL Co. Ltd.  
Kowa Kawasaki Nishiguchi Building 8F  
66-2 Horikawa-Cho  
Saiwai-Ku | 212-0013 Kawasaki  
Tel. 044 540-3200 | Fax 044 540-3210  
info@nihonstiebel.co.jp  
www.nihonstiebel.co.jp

## Netherlands

STIEBEL ELTRON Nederland B.V.  
Daviottenweg 36 | 5222 BH 's-Hertogenbosch  
Tel. 073 623-0000 | Fax 073 623-1141  
info@stiebel-eltron.nl  
www.stiebel-eltron.nl

## Poland

STIEBEL ELTRON Polska Sp. z O.O.  
ul. Działkowa 2 | 02-234 Warszawa  
Tel. 022 60920-30 | Fax 022 60920-29  
biuro@stiebel-eltron.pl  
www.stiebel-eltron.pl

## Russia

STIEBEL ELTRON LLC RUSSIA  
Urzhumskaya street 4,  
building 2 | 129343 Moscow  
Tel. 0495 7753889 | Fax 0495 7753887  
info@stiebel-eltron.ru  
www.stiebel-eltron.ru

## Slovakia

STIEBEL ELTRON Slovakia, s.r.o.  
Hlavná 1 | 058 01 Poprad  
Tel. 052 7127-125 | Fax 052 7127-148  
info@stiebel-eltron.sk  
www.stiebel-eltron.sk

## Switzerland

STIEBEL ELTRON AG  
Industrie West  
Gass 8 | 5242 Lupfig  
Tel. 056 4640-500 | Fax 056 4640-501  
info@stiebel-eltron.ch  
www.stiebel-eltron.ch

## Thailand

STIEBEL ELTRON Asia Ltd.  
469 Moo 2 Tambol Klong-Jik  
Amphur Bangpa-In | 13160 Ayutthaya  
Tel. 035 220088 | Fax 035 221188  
info@stiebel-eltronasia.com  
www.stiebel-eltronasia.com

## United Kingdom and Ireland

STIEBEL ELTRON UK Ltd.  
Unit 12 Stadium Court  
Stadium Road | CH62 3RP Bromborough  
Tel. 0151 346-2300 | Fax 0151 334-2913  
info@stiebel-eltron.co.uk  
www.stiebel-eltron.co.uk

## United States of America

STIEBEL ELTRON, Inc.  
17 West Street | 01088 West Hatfield MA  
Tel. 0413 247-3380 | Fax 0413 247-3369  
info@stiebel-eltron-usa.com  
www.stiebel-eltron-usa.com

**STIEBEL ELTRON**



Irrtum und technische Änderungen vorbehalten! | Subject to errors and technical changes! | Sous réserve d'erreurs et de modifications techniques! | Onder voorbehoud van vergissingen en technische wijzigingen! | Salvo error o modificación técnica! | Excepto erro ou alteração técnica | Zastrzeżone zmiany techniczne i ewentualne błędy | Omyly a technické změny jsou vyhrazeny! | A muszáki változtatások és tévedések jogát fenntartjuk! | Отсутствие ошибок не гарантируется. Возможны технические изменения. | Chyby a technické zmeny sú vyhradené! | Stand 9535