

Data Sheet

Danfoss *Icon*™ App module

Description



Danfoss *Icon*™ App Module is used to enable wifi and APP control on the Danfoss *Icon*™ 24V Master Controller.

The App Module is connected using a shielded patch cable (2 m cable included in box).

Once connected to a smart phone or tablet the system can be shared across devices in the household.

App Module will enable:

- Remote access
- Scheduling
- Away, comfort and holiday mode
- System alarms on your device e.g. low battery on thermostat

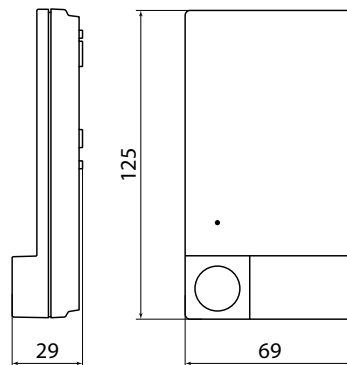
Ordering

Product	Code number
Danfoss <i>Icon</i> ™ App Module	088U1101

Technical data

Purpose of control	Wi-Fi transmitting and receiving device, incl. Bluetooth
Ambient temperature range, continuous use	0 °C to +40 °C
Frequency	2,4 GHz
Encapsulation (IP Class)	IP 20
Conformity declared acc. to following directives	RED, RoHS, WEEE
Protection class Radio	Class III
Supply voltage	5 VDC
Temperature for the ball pressure test	75 °C
Control pollution degree	Degree 2, normal household environment
Software class	Class A
Rated impulse voltage	4 kV
Operating time	Permanently connected
Temperature range, storage and transportation	-20 °C to +65 °C
Disposal instructions	The product must be disposed as electronic waste.

Drawings



Danfoss *Icon*™ App Module 088U1101

Danfoss A/S

Heating Segment • heating.danfoss.com • +45 7488 2222 • E-Mail: heating@danfoss.com

Danfoss can accept no responsibility for possible errors in catalogues, brochures and other printed material. Danfoss reserves the right to alter its products without notice. This also applies to products already on order provided that such alterations can be made without subsequential changes being necessary in specifications already agreed. All trademarks in this material are property of the respective companies. Danfoss and all Danfoss logotypes are trademarks of Danfoss A/S. All rights reserved.