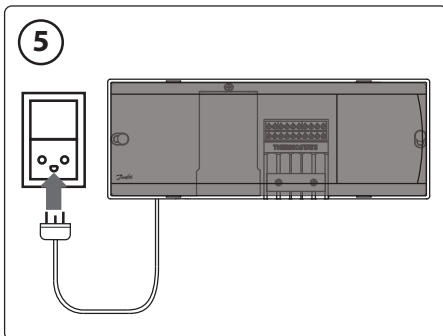
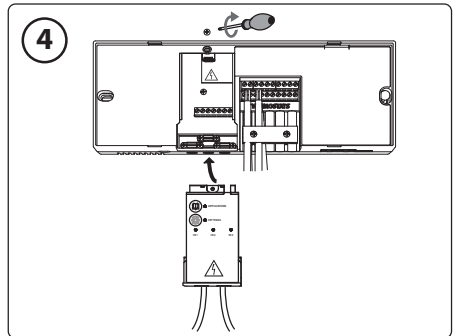
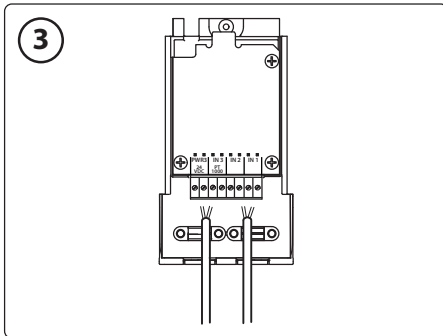
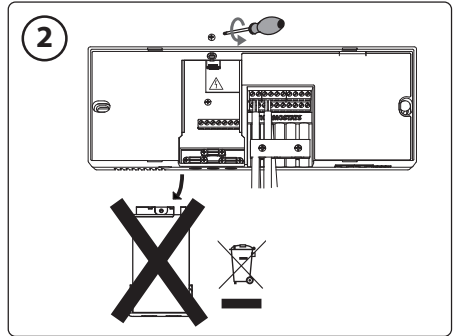
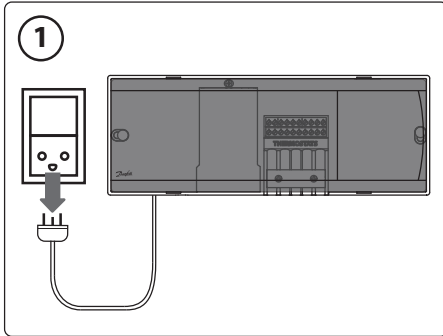
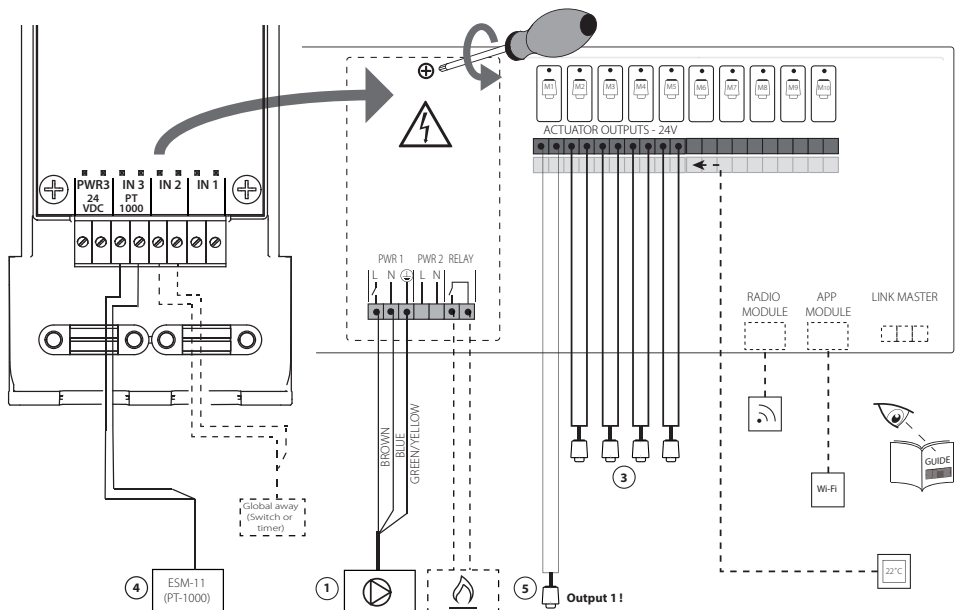
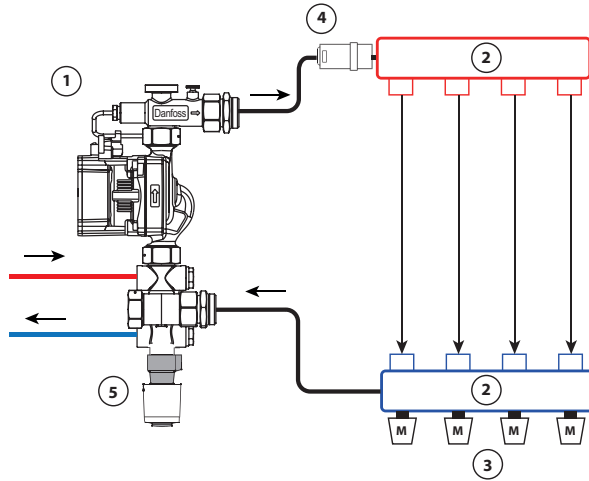


Application Guide

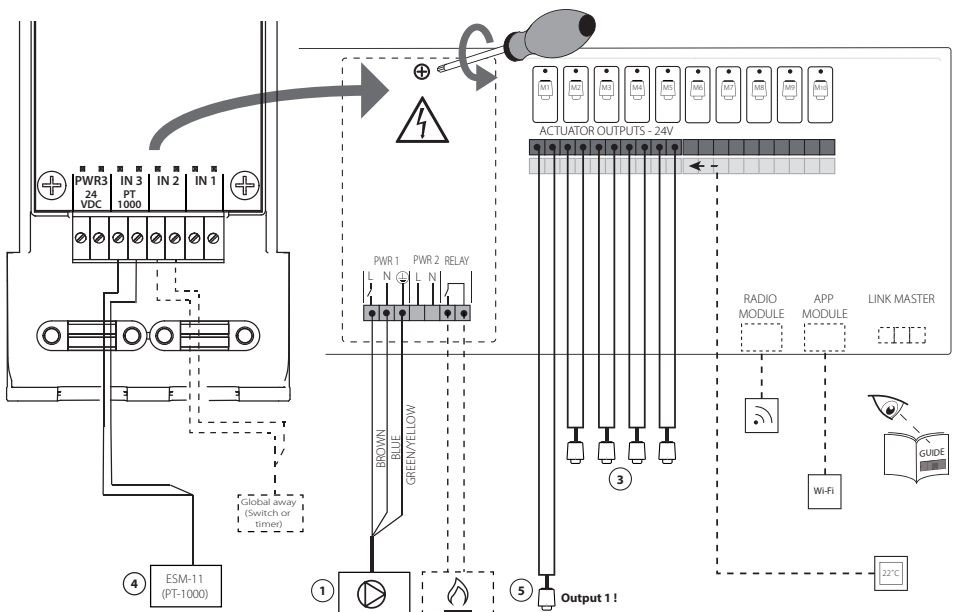
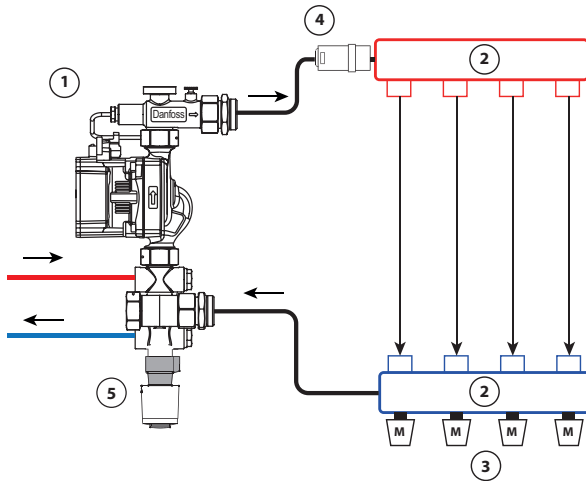
Expansion Module for Danfoss *Icon*™ Master



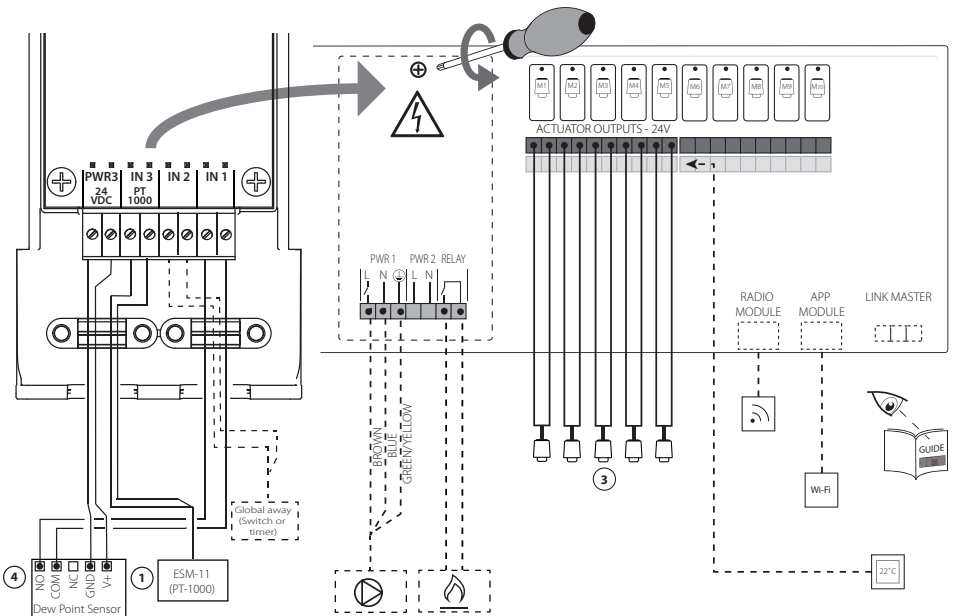
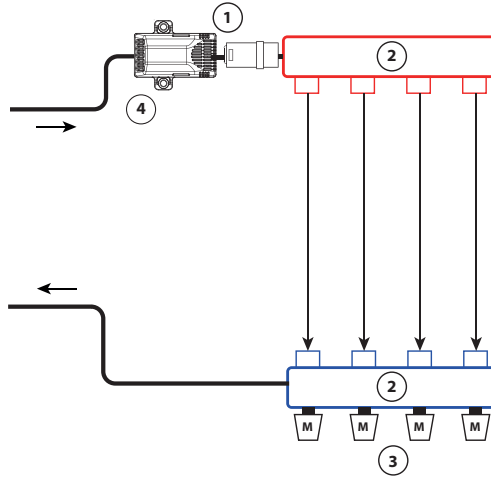
Application 0001



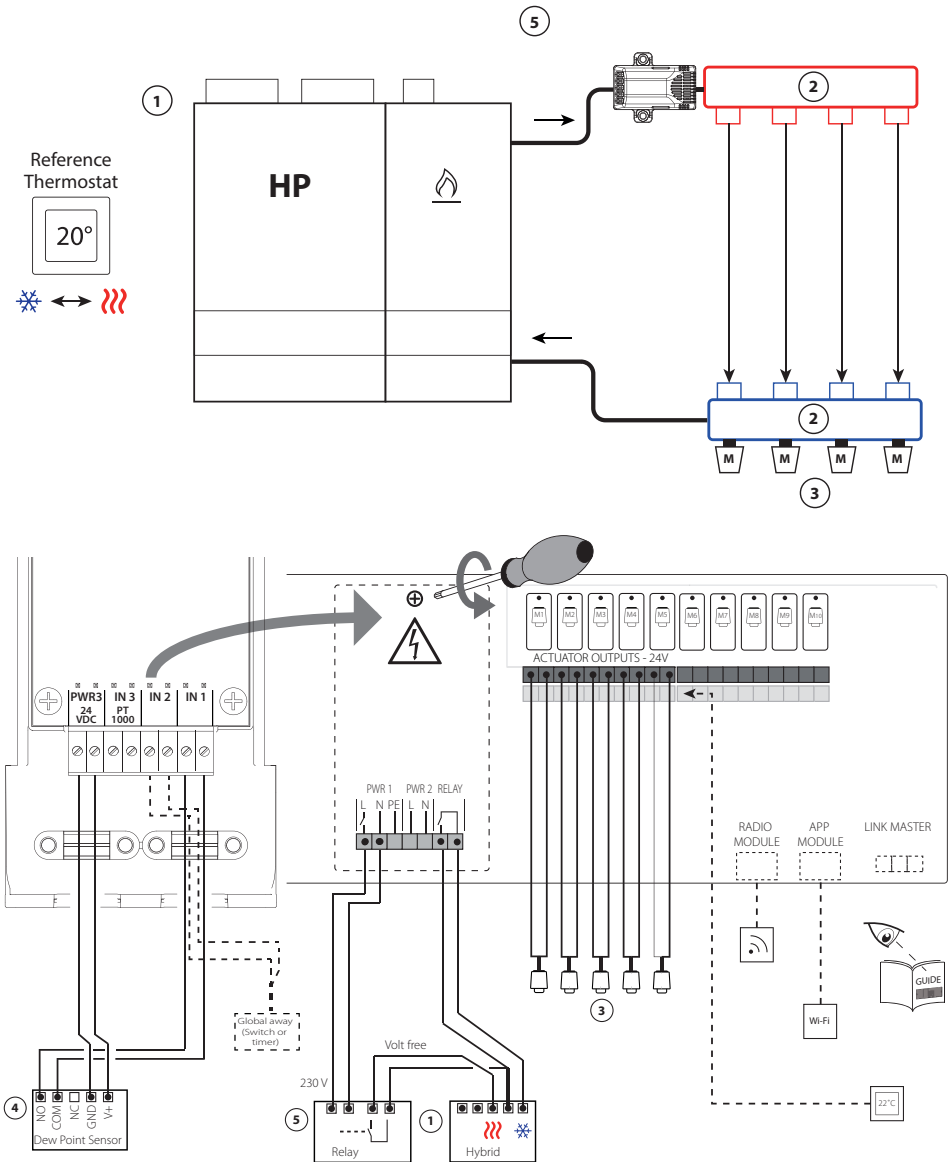
Application 0002



Application 003

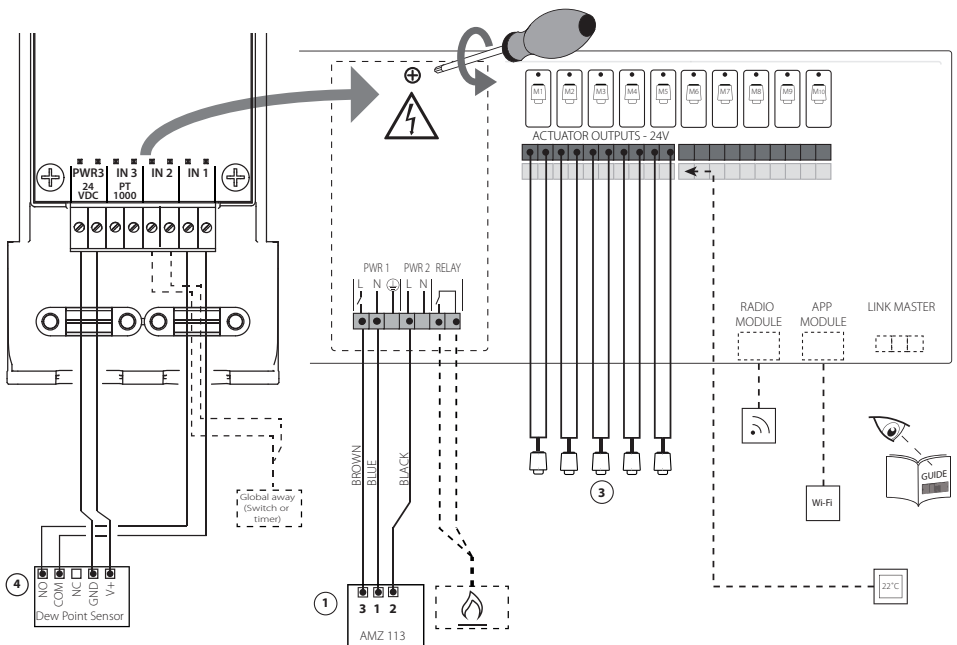
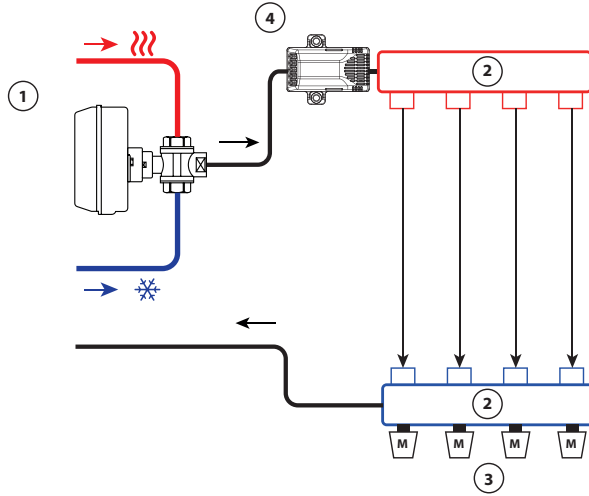
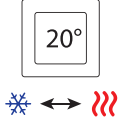


Application 0005

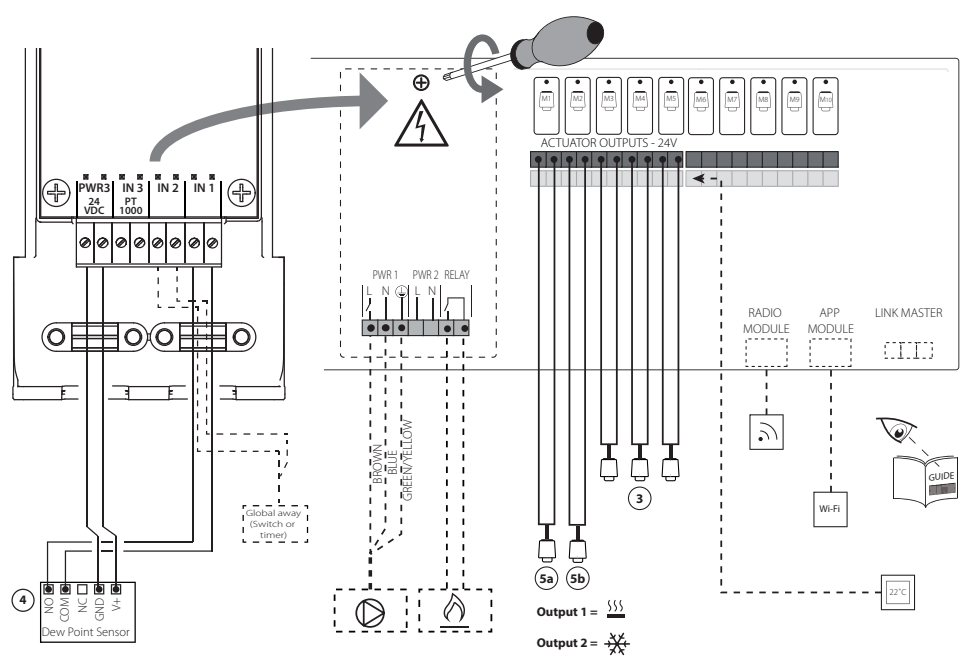
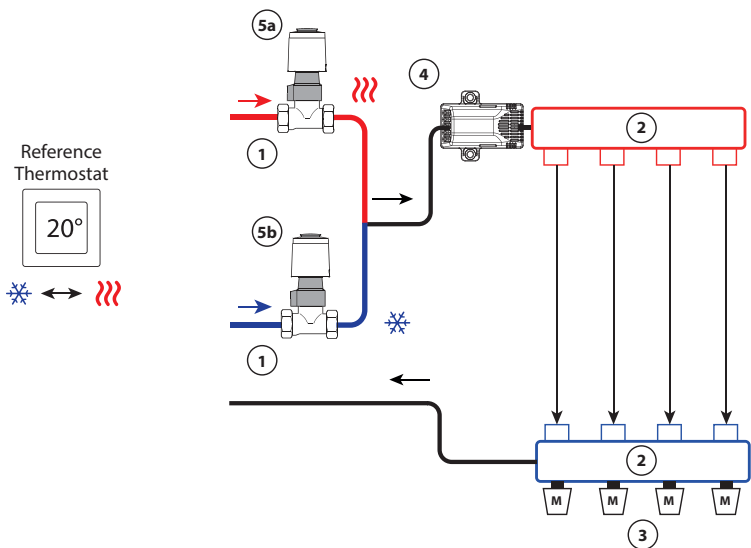


Application 0006

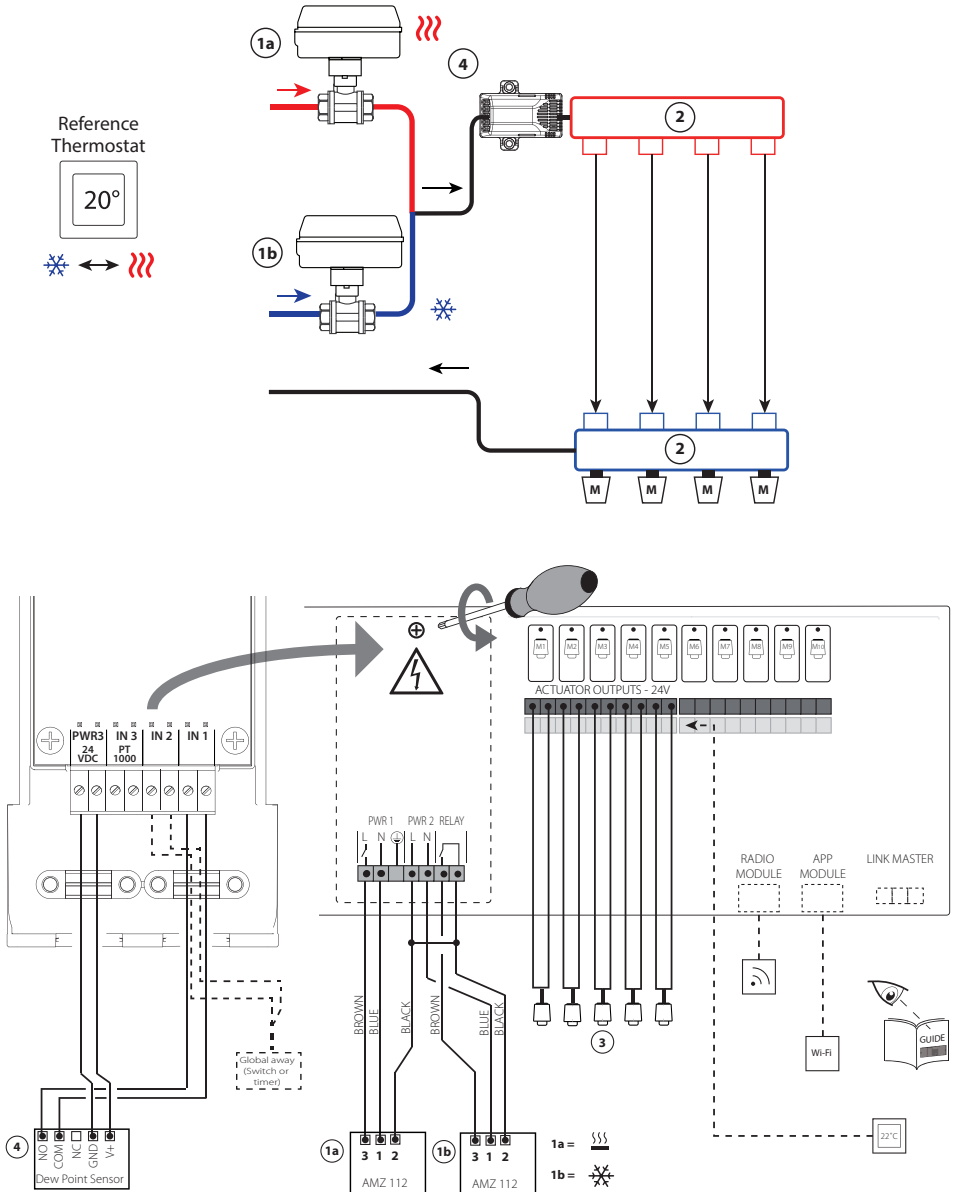
Reference
Thermostat



Application 0007

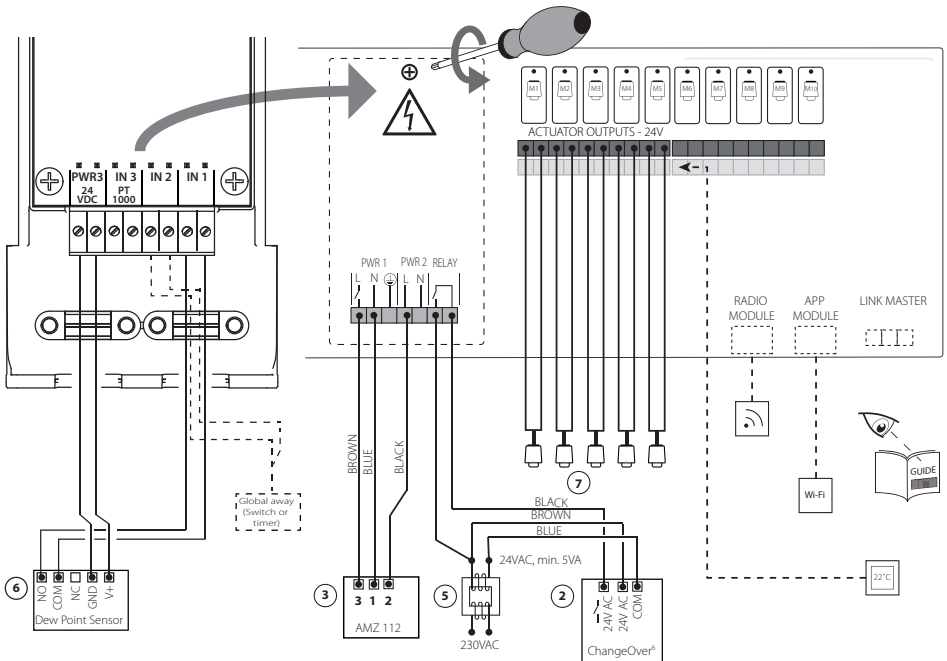
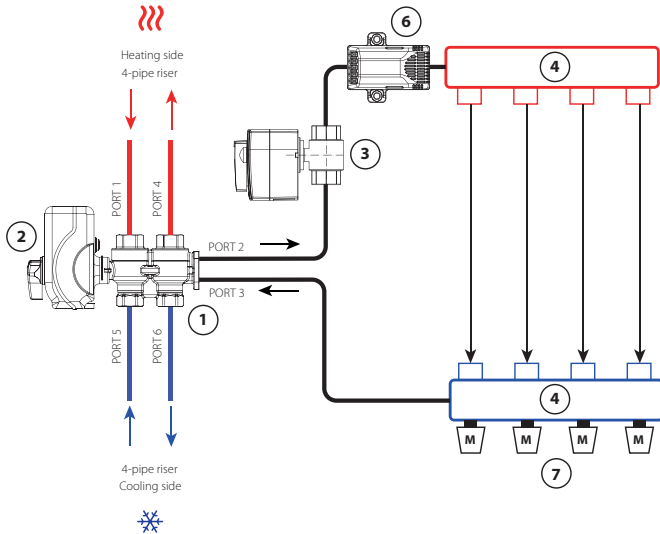


Application 0008

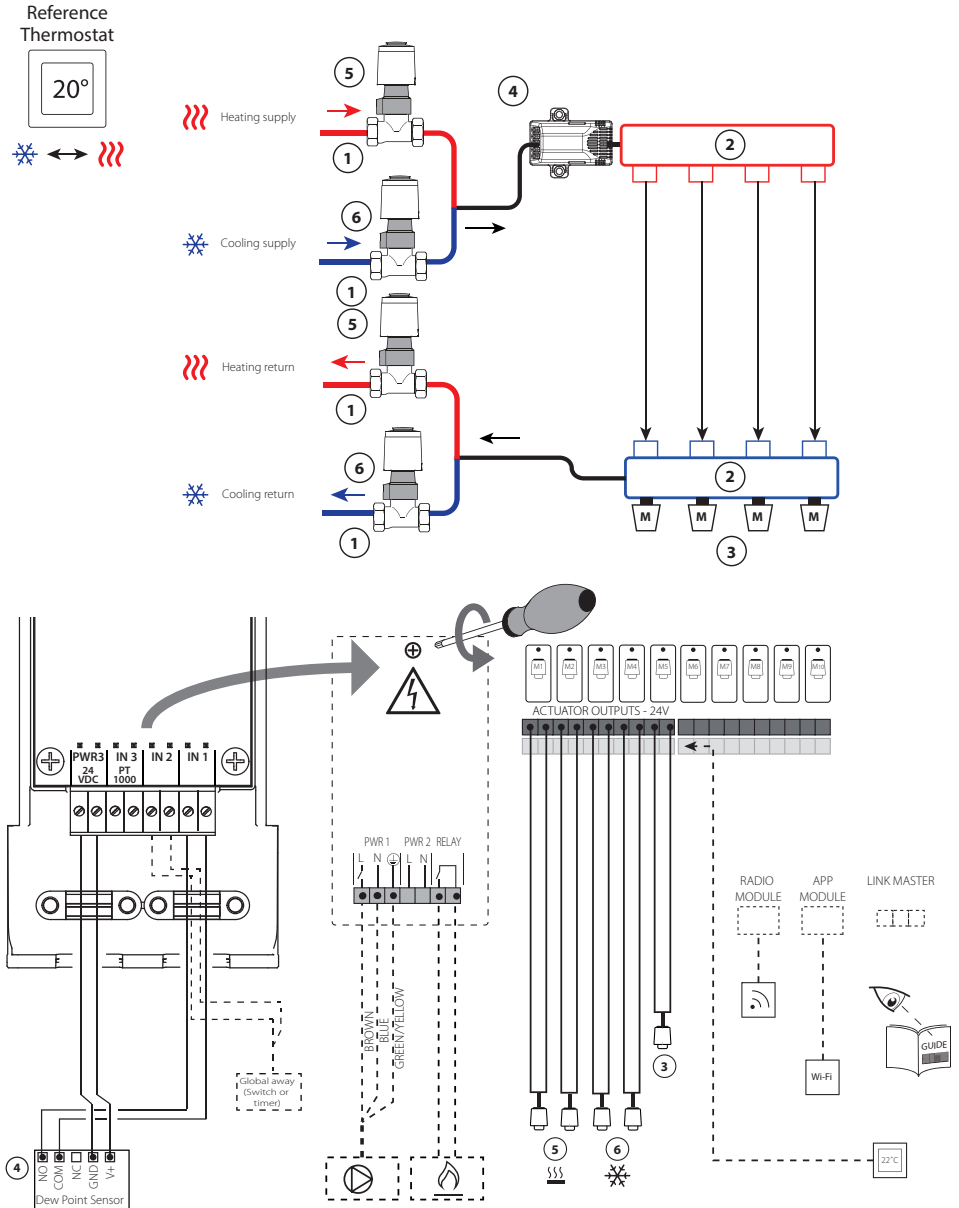


Application 0009

Reference
Thermostat



Application 0010



ENGINEERING
TOMORROW



Danfoss A/S
Heating Segment • heating.danfoss.com • +45 7488 2222 • E-Mail: heating@danfoss.com

Danfoss can accept no responsibility for possible errors in catalogues, brochures and other printed material. Danfoss reserves the right to alter its products without notice. This also applies to products already on order provided that such alterations can be made without subsequential changes being necessary in specifications already agreed.
All trademarks in this material are property of the respective companies. Danfoss and all Danfoss logotypes are trademarks of Danfoss A/S. All rights reserved.
